



Sensing the dream



Inductive sensors

Standard function

Extended sensing distance

Analog output

Extended temperature

High pressure resistant

Frequency enhanced

Gear speed monitoring

Full metal housing

Welding-immune

Rotation speed monitor

Self-diagnosed

Wide voltage



Shanghai Lanbao Sensing Technology Co., Ltd.



LANBAO SENSOR complete solution for the sensors

Established in 1998, Shanghai Lanbao Sensing Technology Co., Ltd. is a leading industrial automation products supplier in China. Our main businesses are industrial sensors R&D, production, sales and application, providing customers with standard and individual products and systems. Lanbao industrial sensors covers over 30 series, 3000 specifications, main products are inductive sensors, photoelectric sensors, capacitive sensors and pressure sensors. Lanbao has been making continuous breakthrough in new technology and new material application, which laid the foundation of its leading position in sensing technology.

Lanbao is an ISO9001:2008 quality management system and EU RoHS environmental directives implemented enterprise. Our series products are with CE, UL and CCC certification. The strict test in function, quality, reliability and production feasibility at the design stage of each product and the strict quality management in production ensure excellent quality products.

Focus on innovation, quality, service and global market, Lanbao insists on creating maximal value for customers.

Content

1	Overview	
12	Namingrules	
13	Wiring eliagram	
15	Production list	
27	Standard function	
27	Metal type	
46	Rectangular type	
64	Combined type	
76	NAMUR	
82	Extended sensing distance	
82	Metal type	
101	Combined type	
117	Analog output	
123	Extended temperature	
123	Temperature influence-free (-40°C+70°C)	
129	Temperature influence-free (-25+120°C)	
135	High pressure resistant	
137	Frequency enhanced	
139	Gear speed monitoring	
140	Full metal housing	
142	Welding-immune	
146	Rotation speed monitor	
148	Self-diagnosed	
149	Wide voltage	

Standard function inductive sensors

- Non-contact detecting way effectively avoids abrasion, safe and reliable.
- Built-in ASIC ensures quick response, high frequency, stable performance.
- Complete range of specification:
 - Smooth cylinder series: $\phi 4$ to $\phi 34$ mm;
 - threaded cylinder series :M5 to M30mm;
 - rectangular series: 7*7mm to 80*80mm.



Inductive sensors



Extended sensing distance

- Easy to set position due to extended sensing distance.



Full metal housing

- All-in-one stainless steel design, excellent sealing.
- Mechanical collision avoidance and corrosion resistance.
- Widely used in auto industry, food and chemical industry.



Analog output

- It will generate 0-10V, 0-20mA standard analog signal at the terminal with the vibration of the sensing distance.
- widely used for distance measuring, thickness measuring and selective measuring.



Welding-immune

- Effectively avoids magnetic interference.
- Widely apply for welding operation industry, lifting and elevation device, electronic furnace equipment and some other special magnetic interfered ambience.



Extended temperature

- Temperature influence-free up to 120°C, down to -40°C.
- Widely applied in steeling, metallurgy and glass manufacture industry.



Rotation speed monitor

- By detecting the metal object on the axis or gear to monitor over speed or low speed status. (adjust the cyclical damping of the built-in electronic device in sensors)



High pressure resistant

- Pressure influence-free up to 500Bar.
- Applied in high hydraulic system field.



Self-diagnosed

- Real-time detecting sensing status, safe and stable.
- Applied in safety monitor field.



Frequency enhanced

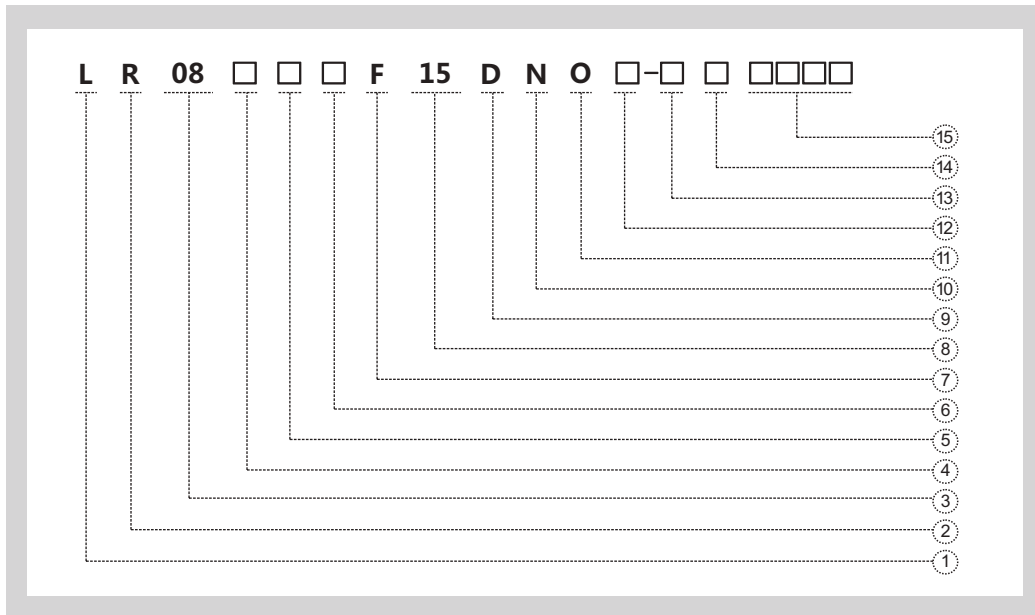
- Fast response.
- Applied in high-speed measuring field.



Wide voltage

- Wide operation voltage.
- LED indicator, displays operation status.
- Cable and connector connection optional.

Naming rules



1. Type Code

L:Inductive

2. Shape Code

R:Cylindrical
E:Rectangular

3. Size Code

Number:Housing diameter
e.g. 08:M8

4. Shape Code

Q:Smooth Cylindrical
V:Angle Column
Z:Combination
H:Ring-shaped
U:U-shaped
X:Semi-thread

5. Housing Material

N/A:Copper
S:Plastic
G:Stainless Steel
V:Aluminium

6. Housing Length

A:Short
B:Standard
C:Long

7. Mounting

N:Non-flush(nf)
F:Flush(f)

8. Sensing Distance

02:2mm
04:4mm
10:10mm

9. Supply Voltage

A:20...250VAC
B:90...250VAC
C:380VAC
D:10...30VDC
E:10...60VDC
F:8.2VDC
G:5...60VDC
L:15...30VDC
H:20...30VDC
I:10...40VDC
J:5VDC
S:20...250VAC/DC
T:12...24VDC

10. Output Way

B:AC/DC 2 wires
L:DC 2 wires
T:AC 2 wires
P:PNP
N:NPN
E:NPN/PNP
F:NPN+PNP
K:Relay

11. Output Status

A:NO/NC Reversible
B:NO/NC Optional
Cable Optional;Potentiometer optional
O:NO
C:NC
R:NO+NC
IU:Voltage+Current
(0...10V,0...20mA)
U:Voltage(0...10V)
I:Current(0...20mA)
I4:Current(4...20mA)

12. By Sensor Function

N/A:Standard function
M:Analogue
N:NAMUR
W:High Temperature Resistant(-25°C...120°C)
W1:Low Temperature Resistant(-40°C...70°C)
W2:High Temperature Resistant(-25°C...100°C)
B:High Pressure Resistant
T:Speed
Z:Self-Diagnosis
Y:Extended Sensing Distance
G:High Frequency
Q:Metal Sensing Face
A:Welding-immune
K:EMI
F:Detect Iron Object
NF:Detect Non-Iron Object
J:Rotation Speed

13. Cable Length

N/A:2m
3M:3m

14. Connection

N/A:2M cable
E1:M8 connector (3 pins)
E2:M12 connector (4 pins)
E3:M8 connector (4 pins)
E4:M12 trapezoid connector (4 pins)
E5:M12 connector (5 pins)
D:Terminal

15. Special Requirement

In 4 Digits

Wiring diagram

DC 2 Wires	Lead wire	M8 Connector	M12 Connector	Terminal connect
NO				
NC				

DC 3 Wires	Lead wire	M8 Connector	M12 Connector	Terminal connect
NPN NO				
NPN NC				
PNP NO				
PNP NC				

DC 4 Wires	Lead wire	M12 Connector	Terminal connect
NPN NO+NC			
PNP NO+NC			

AC 2 Wires	Lead wire	M12 Connector	Terminal connect
SCR NO			
SCR NC			

Inductive sensors

AC/DC 2 Wires	Lead wire	M12 Connector	Terminal connect
NO			
NC			
NO/NC			

NAMUR	Lead wire	M8 Connector	M12 Connector	Terminal connect

Analog output	Lead wire	M12 Connector	Terminal connect
3 Wires Voltage output			
3 Wires Current output			
4 Wires Voltage/current output			

Remarks	M8 Connector	M12 Connector
Connector		

Standard function

metal type

P.27

Model	Output	Supply Voltage	Mounting	Sensing Distance	Specifications	Housing Material	Connection
DC 3/4 Wires							P27
LR04Q	DC 3 Wires	DC10-30V	f	0.8mm	Φ4*30	Stainless steel	Cable
LR04Q	DC 3 Wires	DC10-30V	f	0.8mm	Φ4*40	Stainless steel	M8 Connector
LR04XQ	DC 3 Wires	DC10-30V	f	0.8mm	Φ4*30	Stainless steel	Cable
LR05	DC 3 Wires	DC10-30V	f	0.8mm	M5*0.5*30	Stainless steel	Cable
LR05	DC 3 Wires	DC10-30V	f	0.8mm	M5*0.5*40	Stainless steel	M8 Connector
LR05X	DC 3 Wires	DC10-30V	f	0.8mm	M5*0.5*30	Stainless steel	Cable
LR6.5Q	DC 3 Wires	DC10-30V	f/nf	1.5mm,2mm	Φ6.5*40	Stainless steel	Cable
LR6.5Q	DC 3 Wires	DC10-30V	f/nf	1.5mm,2mm	Φ6.5*49	Stainless steel	M8 Connector
LR08	DC 3 Wires	DC10-30V	f/nf	1.5mm,2mm	M8*1*40	Stainless steel	Cable
LR08	DC 3 Wires	DC10-30V	f/nf	1.5mm,2mm	M8*1*49	Stainless steel	M8 Connector
LR08	DC 3 Wires	DC10-30V	f/nf	1.5mm,2mm	M8*1*65	Nickel-copper alloy	M12 Connector
LR12X	DC 3/4 Wires	DC10-30V	f/nf	2mm,4mm	M12*1*51	Nickel-copper alloy	Cable
LR12X	DC 3/4 Wires	DC10-30V	f/nf	2mm,4mm	M12*1*63	Nickel-copper alloy	M12 Connector
LR18X	DC 3/4 Wires	DC10-30V	f/nf	5mm,8mm	M18*1*52	Nickel-copper alloy	Cable
LR18X	DC 3/4 Wires	DC10-30V	f/nf	5mm,8mm	M18*1*63	Nickel-copper alloy	M12 Connector
LR30X	DC 3/4 Wires	DC10-30V	f/nf	10mm,15mm	M30*1.5*52	Nickel-copper alloy	Cable
LR30X	DC 3/4 Wires	DC10-30V	f/nf	10mm,15mm	M30*1.5*63	Nickel-copper alloy	M12 Connector
DC 2 Wires							P35
LR6.5Q	DC 2 Wires	DC10-30V	f/nf	1.5mm,2mm	Φ6.5*40	Stainless steel	Cable
LR6.5Q	DC 2 Wires	DC10-30V	f/nf	1.5mm,2mm	Φ6.5*49	Stainless steel	M8 Connector
LR08	DC 2 Wires	DC10-30V	f/nf	1.5mm,2mm	M8*1*40	Stainless steel	Cable
LR08	DC 2 Wires	DC10-30V	f/nf	1.5mm,2mm	M8*1*49	Stainless steel	M8 Connector
LR08	DC 2 Wires	DC10-30V	f/nf	1.5mm,2mm	M8*1*65	Nickel-copper alloy	M12 Connector
LR12X	DC 2 Wires	DC10-30V	f/nf	2mm,4mm	M12*1*51	Nickel-copper alloy	Cable
LR12X	DC 2 Wires	DC10-30V	f/nf	2mm,4mm	M12*1*63	Nickel-copper alloy	M12 Connector
LR18X	DC 2 Wires	DC10-30V	f/nf	5mm,8mm	M18*1*52	Nickel-copper alloy	Cable
LR18X	DC 2 Wires	DC10-30V	f/nf	5mm,8mm	M18*1*63	Nickel-copper alloy	M12 Connector
LR30X	DC 2 Wires	DC10-30V	f/nf	10mm,15mm	M30*1.5*52	Nickel-copper alloy	Cable
LR30X	DC 2 Wires	DC10-30V	f/nf	10mm,15mm	M30*1.5*63	Nickel-copper alloy	M12 Connector
AC 2 Wires							P41
LR12X	AC 2 Wires	AC20-250V	f/nf	2mm,4mm	M12*1*61	Nickel-copper alloy	Cable
LR12X	AC 2 Wires	AC20-250V	f/nf	2mm,4mm	M12*1*73	Nickel-copper alloy	M12 Connector
LR18X	AC 2 Wires	AC20-250V	f/nf	5mm,8mm	M18*1*62	Nickel-copper alloy	Cable
LR18X	AC 2 Wires	AC20-250V	f/nf	5mm,8mm	M18*1*73	Nickel-copper alloy	M12 Connector

Inductive sensors

Model	Output	Supply Voltage	Mounting	Sensing Distance	Specifications	Housing Material	Connection
AC 2 Wires							P.41
LR30X	AC 2 Wires	AC20-250V	f/nf	10mm,15mm	M30*1.5*62	Nickel-copper alloy	Cable
LR30X	AC 2 Wires	AC20-250V	f/nf	10mm,15mm	M30*1.5*73	Nickel-copper alloy	M12 Connector
AC/DC 2 Wires							P.44
LR18X	AC/DC 2 Wires	AC/DC 20-250V	f/nf	5mm,8mm	M18*1*62	Nickel-copper alloy	Cable
LR18X	AC/DC 2 Wires	AC/DC 20-250V	f/nf	5mm,8mm	M18*1*73	Nickel-copper alloy	M12 Connector
LR30X	AC/DC 2 Wires	AC/DC 20-250V	f/nf	10mm,15mm	M30*1.5*62	Nickel-copper alloy	Cable
LR30X	AC/DC 2 Wires	AC/DC 20-250V	f/nf	10mm,15mm	M30*1.5*73	Nickel-copper alloy	M12 Connector

Standard function

rectangular type

P.46

Model	Output	Supply Voltage	Mounting	Sensing Distance	Specifications	Housing Material	Connection
DC 3/4 Wires							P.46
LE81	DC 3 Wires	DC10-30V	f	1.5mm	8*8*40	Aluminum alloy	Cable
LE81	DC 3 Wires	DC10-30V	f	1.5mm	8*8*50	Aluminum alloy	M8 Connector
LE82	DC 3 Wires	DC10-30V	f	1.5mm	8*8*40	Aluminum alloy	Cable
LE82	DC 3 Wires	DC10-30V	f	1.5mm	8*8*50	Aluminum alloy	M8 Connector
LE83	DC 3 Wires	DC10-30V	f	1.5mm	8*8*25	Aluminum alloy	Cable
LE83	DC 3 Wires	DC10-30V	f	1.5mm	8*8*25	Aluminum alloy	M8 Connector
LE84	DC 3 Wires	DC10-30V	f	1.5mm	8*8*25	Aluminum alloy	Cable
LE84	DC 3 Wires	DC10-30V	f	1.5mm	8*8*25	Aluminum alloy	M8 Connector
LE08	DC 3 Wires	DC10-30V	nf	2.5mm	7.5*8*23	PC	Cable
LE08X	DC 3 Wires	DC10-30V	nf	2.5mm	7.5*8*23	PC	Cable
LE09	DC 3 Wires	DC10-30V	nf	2.5mm	7.5*8*23	PC	Cable
LE11	DC 3 Wires	DC10-30V	nf	3mm	10*5.8*27	PC	Cable
LE10	DC 3 Wires	DC10-30V	f/nf	5mm,8mm	18*10*30	PBT	Cable
LE16	DC 3 Wires	DC10-30V	f/nf	2mm,4mm	16*12*28	PBT	Cable
LE36	DC 3 Wires	DC10-30V	f/nf	5mm,8mm	36*8*60	PBT	Cable
LE50	DC 3 Wires	DC10-30V	f/nf	5mm,8mm	25*10*50	PBT	Cable
LE17	DC 3 Wires	DC10-30V	f/nf	5mm,8mm	17*17*28	PBT	Cable
LE18	DC 3 Wires	DC10-30V	f/nf	5mm,8mm	18*18*35	PBT	Cable
LE20	DC 3 Wires	DC10-30V	f/nf	5mm,8mm	20*20*38	PBT	Cable
LE25	DC 3 Wires	DC10-30V	f/nf	7mm,10mm	25*25*39	PBT	Cable
LE30	DC 3/4 Wires	DC10-30V	f/nf	10mm,15mm	30*30*53	PBT	Cable
LE40	DC 3/4 Wires	DC10-30V	f/nf	15mm,20mm	40*40*53	PBT	Cable
LE68	DC 3/4 Wires	DC10-30V	f/nf	15mm,25mm	40*20*68	PBT	Cable
LE68	DC 3/4 Wires	DC10-30V	f/nf	15mm,25mm	40*20*68	PBT	M12 Connector

Inductive sensors

Model	Output	Supply Voltage	Mounting	Sensing Distance	Specifications	Housing Material	Connection
DC 2 Wires							P.56
LE17	DC 2 Wires	DC10-30V	f/nf	5mm,8mm	17*17*28	PBT	Cable
LE18	DC 2 Wires	DC10-30V	f/nf	5mm,8mm	18*18*35	PBT	Cable
LE20	DC 2 Wires	DC10-30V	f/nf	5mm,8mm	20*20*38	PBT	Cable
LE25	DC 2 Wires	DC10-30V	f/nf	7mm,10mm	25*25*39	PBT	Cable
LE30	DC 2 Wires	DC10-30V	f/nf	10mm,15mm	30*30*53	PBT	Cable
LE40	DC 2 Wires	DC10-30V	f/nf	15mm,20mm	40*40*53	PBT	Cable
LE68	DC 2 Wires	DC10-30V	f/nf	15mm,25mm	40*20*68	PBT	Cable
LE68	DC 2 Wires	DC10-30V	f/nf	15mm,25mm	40*20*68	PBT	M12 Connector

AC 2 Wires							P.60
LE17	AC 2 Wires	AC20-250V	f/nf	5mm,8mm	17*17*28	PBT	Cable
LE18	AC 2 Wires	AC20-250V	f/nf	5mm,8mm	18*18*35	PBT	Cable
LE20	AC 2 Wires	AC20-250V	f/nf	5mm,8mm	20*20*38	PBT	Cable
LE25	AC 2 Wires	AC20-250V	f/nf	7mm,10mm	25*25*39	PBT	Cable
LE30	AC 2 Wires	AC20-250V	f/nf	10mm,15mm	30*30*53	PBT	Cable
LE40	AC 2 Wires	AC20-250V	f/nf	15mm,20mm	40*40*53	PBT	Cable
LE68	AC 2 Wires	AC20-250V	f/nf	15mm,25mm	40*20*68	PBT	Cable
LE68	AC 2 Wires	AC20-250V	f/nf	15mm,25mm	40*20*68	PBT	M12 Connector

Standard function

combined type

P.64

Model	Output	Supply Voltage	Mounting	Sensing Distance	Specifications	Housing Material	Connection
DC 3/4 Wires							P.64
LE40SZ	DC 3/4 Wires	DC10-30V	f/nf	15mm,20mm	40*40*66	PBT	M12 Connector
LE40XZ	DC 3/4 Wires	DC10-30V	f/nf	15mm,20mm	40*40*120	PBT	Terminal connect
LE40XZ	DC 3/4 Wires	DC10-30V	f/nf	15mm,20mm	40*40*120	PBT	M12 Connector
LE80XZ	DC 3/4 Wires	DC10-30V	f/nf	40mm,50mm	80*80*40	PBT	Terminal connect
LE80XZ	DC 3/4 Wires	DC10-30V	f/nf	40mm,50mm	80*80*40	PBT	M12 Connector

DC 2 Wires							P.67
LE40SZ	DC 2 Wires	DC10-30V	f/nf	15mm,20mm	40*40*66	PBT	M12 Connector
LE40XZ	DC 2 Wires	DC10-30V	f/nf	15mm,20mm	40*40*120	PBT	Terminal connect
LE40XZ	DC 2 Wires	DC10-30V	f/nf	15mm,20mm	40*40*120	PBT	M12 Connector
LE80XZ	DC 2 Wires	DC10-30V	f/nf	40mm,50mm	80*80*40	PBT	Terminal connect
LE80XZ	DC 2 Wires	DC10-30V	f/nf	40mm,50mm	80*80*40	PBT	M12 Connector

Inductive sensors

Model	Output	Supply Voltage	Mounting	Sensing Distance	Specifications	Housing Material	Connection
AC 2 Wires							P.70
LE40SZ	AC 2 Wires	AC20-250V	f/nf	15mm,20mm	40*40*66	PBT	M12 Connector
LE40XZ	AC 2 Wires	AC20-250V	f/nf	15mm,20mm	40*40*120	PBT	Terminal connect
LE40XZ	AC 2 Wires	AC20-250V	f/nf	15mm,20mm	40*40*120	PBT	M12 Connector
LE80XZ	AC 2 Wires	AC20-250V	f/nf	40mm,50mm	80*80*40	PBT	Terminal connect
LE80XZ	AC 2 Wires	AC20-250V	f/nf	40mm,50mm	80*80*40	PBT	M12 Connector
AC/DC 2 Wires							P.73
LE40SZ	AC/DC 2 Wires	AC/DC 20-250V	f/nf	15mm,20mm	40*40*66	PBT	M12 Connector
LE40XZ	AC/DC 2 Wires	AC/DC 20-250V	f/nf	15mm,20mm	40*40*120	PBT	Terminal connect
LE40XZ	AC/DC 2 Wires	AC/DC 20-250V	f/nf	15mm,20mm	40*40*120	PBT	M12 Connector
LE80XZ	AC/DC 2 Wires	AC/DC 20-250V	f/nf	40mm,50mm	80*80*40	PBT	Terminal connect
LE80XZ	AC/DC 2 Wires	AC/DC 20-250V	f/nf	40mm,50mm	80*80*40	PBT	M12 Connector

Standard function

NAMUR

P.76

Model	Output	Supply Voltage	Mounting	Sensing Distance	Specifications	Housing Material	Connection
Metal type							P.76
LR05	NAMUR	DC8.2V	f	0.8mm	M5*0.5*30	Stainless steel	Cable
LR08	NAMUR	DC8.2V	f	1.5mm,2mm	M8*1*22	Stainless steel	Cable
LR12X	NAMUR	DC8.2V	f/nf	2mm,4mm	M12*1*31	Nickel-copper alloy	Cable
LR18X	NAMUR	DC8.2V	f/nf	5mm,8mm	M18*1*32	Nickel-copper alloy	Cable
LR30X	NAMUR	DC8.2V	f/nf	10mm,15mm	M30*1.5*32	Nickel-copper alloy	Cable
Combined type							P.79
LE40SZ	NAMUR	DC8.2V	f/nf	15mm,20mm	40*40*66	PBT	M12 Connector
LE40XZ	NAMUR	DC8.2V	f/nf	15mm,20mm	40*40*120	PBT	Terminal connect
LE40XZ	NAMUR	DC8.2V	f/nf	15mm,20mm	40*40*120	PBT	M12 Connector
LE80XZ	NAMUR	DC8.2V	f/nf	40mm,50mm	80*80*40	PBT	Terminal connect
LE80XZ	NAMUR	DC8.2V	f/nf	40mm,50mm	80*80*40	PBT	M12 Connector

Extended sensing distance

metal type

P.82

Model	Output	Supply Voltage	Mounting	Sensing Distance	Specifications	Housing Material	Connection
DC 3/4 Wires							P.82
LR04Q	DC 3 Wires	DC10-30V	f	1.5mm	Φ4*30	Stainless steel	Cable
LR04Q	DC 3 Wires	DC10-30V	f	1.5mm	Φ4*54	Stainless steel	M8 Connector
LR04XQ	DC 3 Wires	DC10-30V	f	1.5mm	Φ4*30	Stainless steel	Cable
LR05	DC 3 Wires	DC10-30V	f	1.5mm	M5*0.5*30	Stainless steel	Cable
LR05	DC 3 Wires	DC10-30V	f	1.5mm	M5*0.5*40	Stainless steel	M8 Connector
LR05X	DC 3 Wires	DC10-30V	f	1.5mm	M5*0.5*30	Stainless steel	Cable
LR6.5Q	DC 3 Wires	DC10-30V	f/nf	2mm,4mm	Φ6.5*40	Stainless steel	Cable
LR6.5Q	DC 3 Wires	DC10-30V	f/nf	2mm,4mm	Φ6.5*54	Stainless steel	M8 Connector
LR08	DC 3 Wires	DC10-30V	quasi-flush/nf	2mm,4mm	M8*1*40	Stainless steel	Cable
LR08	DC 3 Wires	DC10-30V	quasi-flush/nf	2mm,4mm	M8*1*54	Stainless steel	M8 Connector
LR08	DC 3 Wires	DC10-30V	quasi-flush/nf	2mm,4mm	M8*1*65	Nickel-copper alloy	M12 Connector
LR12X	DC 3 Wires	DC10-30V	quasi-flush/nf	4mm,8mm	M12*1*51	Nickel-copper alloy	Cable
LR12X	DC 3 Wires	DC10-30V	quasi-flush/nf	4mm,8mm	M12*1*63	Nickel-copper alloy	M12 Connector
LR12X	DC 3 Wires	DC10-30V	quasi-flush/nf	6mm,10mm	M12*1*61	Nickel-copper alloy	Cable
LR12X	DC 3 Wires	DC10-30V	quasi-flush/nf	6mm,10mm	M12*1*73	Nickel-copper alloy	M12 Connector
LR18X	DC 3/4 Wires	DC10-30V	quasi-flush/nf	8mm,12mm	M18*1*52	Nickel-copper alloy	Cable
LR18X	DC 3/4 Wires	DC10-30V	quasi-flush/nf	8mm,12mm	M18*1*63	Nickel-copper alloy	M12 Connector
LR18X	DC 3 Wires	DC10-30V	quasi-flush/nf	12mm,20mm	M18*1*62	Nickel-copper alloy	Cable
LR18X	DC 3 Wires	DC10-30V	quasi-flush/nf	12mm,20mm	M18*1*73	Nickel-copper alloy	M12 Connector
LR30X	DC 3/4 Wires	DC10-30V	quasi-flush/nf	15mm,22mm	M30*1.5*52	Nickel-copper alloy	Cable
LR30X	DC 3/4 Wires	DC10-30V	quasi-flush/nf	15mm,22mm	M30*1.5*63	Nickel-copper alloy	M12 Connector
LR30X	DC 3 Wires	DC10-30V	quasi-flush/nf	22mm,40mm	M30*1.5*62	Nickel-copper alloy	Cable
LR30X	DC 3 Wires	DC10-30V	quasi-flush/nf	22mm,40mm	M30*1.5*73	Nickel-copper alloy	M12 Connector
DC 2 Wires							P.93
LR12X	DC 2 Wires	DC10-30V	quasi-flush/nf	4mm,8mm	M12*1*61	Nickel-copper alloy	Cable
LR12X	DC 2 Wires	DC10-30V	quasi-flush/nf	4mm,8mm	M12*1*73	Nickel-copper alloy	M12 Connector
LR18X	DC 2 Wires	DC10-30V	quasi-flush/nf	8mm,12mm	M18*1*62	Nickel-copper alloy	Cable
LR18X	DC 2 Wires	DC10-30V	quasi-flush/nf	8mm,12mm	M18*1*73	Nickel-copper alloy	M12 Connector
LR30X	DC 2 Wires	DC10-30V	quasi-flush/nf	15mm,22mm	M30*1.5*62	Nickel-copper alloy	Cable
LR30X	DC 2 Wires	DC10-30V	quasi-flush/nf	15mm,22mm	M30*1.5*73	Nickel-copper alloy	M12 Connector
AC 2 Wires							P.96
LR12X	AC 2 Wires	AC20-250V	quasi-flush/nf	4mm,8mm	M12*1*61	Nickel-copper alloy	Cable
LR12X	AC 2 Wires	AC20-250V	quasi-flush/nf	4mm,8mm	M12*1*73	Nickel-copper alloy	M12 Connector
LR18X	AC 2 Wires	AC20-250V	quasi-flush/nf	8mm,12mm	M18*1*62	Nickel-copper alloy	Cable
LR18X	AC 2 Wires	AC20-250V	quasi-flush/nf	8mm,12mm	M18*1*73	Nickel-copper alloy	M12 Connector

Inductive sensors

Model	Output	Supply Voltage	Mounting	Sensing Distance	Specifications	Housing Material	Connection
AC 2 Wires							P.96
LR30X	AC 2 Wires	AC20-250V	quasi-flush/nf	15mm,22mm	M30*1.5*62	Nickel-copper alloy	Cable
LR30X	AC 2 Wires	AC20-250V	quasi-flush/nf	15mm,22mm	M30*1.5*73	Nickel-copper alloy	M12 Connector
AC/DC 2 Wires							P.99
LR18X	AC/DC 2 Wires	AC/DC 20-250V	quasi-flush/nf	8mm,12mm	M18*1*62	Nickel-copper alloy	Cable
LR18X	AC/DC 2 Wires	AC/DC 20-250V	quasi-flush/nf	8mm,12mm	M18*1*73	Nickel-copper alloy	M12 Connector
LR30X	AC/DC 2 Wires	AC/DC 20-250V	quasi-flush/nf	15mm,22mm	M30*1.5*62	Nickel-copper alloy	Cable
LR30X	AC/DC 2 Wires	AC/DC 20-250V	quasi-flush/nf	15mm,22mm	M30*1.5*73	Nickel-copper alloy	M12 Connector

Extended sensing distance combined type

P.101

Model	Output	Supply Voltage	Mounting	Sensing Distance	Specifications	Housing Material	Connection
DC 3/4 Wires							P.101
LE40SZ	DC 3/4 Wires	DC10-30V	f/nf	25mm,40mm	40*40*66	PBT	M12 Connector
LE40SZ	DC 3/4 Wires	DC10-60V	f/nf	25mm,40mm	40*40*66	PBT	M12 Connector
LE40XZ	DC 3/4 Wires	DC10-30V	f/nf	25mm,40mm	40*40*120	PBT	Terminal connect
LE40XZ	DC 3/4 Wires	DC10-30V	f/nf	25mm,40mm	40*40*120	PBT	M12 Connector
LE40XZ	DC 3/4 Wires	DC10-60V	f/nf	25mm,40mm	40*40*120	PBT	Terminal connect
LE40XZ	DC 3/4 Wires	DC10-60V	f/nf	25mm,40mm	40*40*120	PBT	M12 Connector
LE80XZ	DC 3/4 Wires	DC10-30V	f/nf	50mm,70mm	80*80*40	PBT	Terminal connect
LE80XZ	DC 3/4 Wires	DC10-30V	f/nf	50mm,70mm	80*80*40	PBT	M12 Connector
LE80XZ	DC 3/4 Wires	DC10-60V	f/nf	50mm,70mm	80*80*40	PBT	Terminal connect
LE80XZ	DC 3/4 Wires	DC10-60V	f/nf	50mm,70mm	80*80*40	PBT	M12 Connector
DC 2 Wires							P.106
LE40SZ	DC 2 Wires	DC10-30V	f/nf	25mm,40mm	40*40*66	PBT	M12 Connector
LE40SZ	DC 2 Wires	DC10-60V	f/nf	25mm,40mm	40*40*66	PBT	M12 Connector
LE40XZ	DC 2 Wires	DC10-30V	f/nf	25mm,40mm	40*40*120	PBT	Terminal connect
LE40XZ	DC 2 Wires	DC10-30V	f/nf	25mm,40mm	40*40*120	PBT	M12 Connector
LE40XZ	DC 2 Wires	DC10-60V	f/nf	25mm,40mm	40*40*120	PBT	Terminal connect
LE40XZ	DC 2 Wires	DC10-60V	f/nf	25mm,40mm	40*40*120	PBT	M12 Connector
LE80XZ	DC 2 Wires	DC10-30V	f/nf	50mm,70mm	80*80*40	PBT	Terminal connect
LE80XZ	DC 2 Wires	DC10-30V	f/nf	50mm,70mm	80*80*40	PBT	M12 Connector
LE80XZ	DC 2 Wires	DC10-60V	f/nf	50mm,70mm	80*80*40	PBT	Terminal connect
LE80XZ	DC 2 Wires	DC10-60V	f/nf	50mm,70mm	80*80*40	PBT	M12 Connector

Inductive sensors

Model	Output	Supply Voltage	Mounting	Sensing Distance	Specifications	Housing Material	Connection
AC 2 Wires							P.111
LE40SZ	AC 2 Wires	AC20-250V	f/nf	25mm,40mm	40*40*66	PBT	M12 Connector
LE40XZ	AC 2 Wires	AC20-250V	f/nf	25mm,40mm	40*40*120	PBT	Terminal connect
LE40XZ	AC 2 Wires	AC20-250V	f/nf	25mm,40mm	40*40*120	PBT	M12 Connector
LE80XZ	AC 2 Wires	AC20-250V	f/nf	50mm,70mm	80*80*40	PBT	Terminal connect
LE80XZ	AC 2 Wires	AC20-250V	f/nf	50mm,70mm	80*80*40	PBT	M12 Connector
AC/DC 2 Wires							P.114
LE40SZ	AC/DC 2 Wires	AC/DC 20-250V	f/nf	25mm,40mm	40*40*66	PBT	M12 Connector
LE40XZ	AC/DC 2 Wires	AC/DC 20-250V	f/nf	25mm,40mm	40*40*120	PBT	Terminal connect
LE40XZ	AC/DC 2 Wires	AC/DC 20-250V	f/nf	25mm,40mm	40*40*120	PBT	M12 Connector
LE80XZ	AC/DC 2 Wires	AC/DC 20-250V	f/nf	50mm,70mm	80*80*40	PBT	Terminal connect
LE80XZ	AC/DC 2 Wires	AC/DC 20-250V	f/nf	50mm,70mm	80*80*40	PBT	M12 Connector

Analog output

P.117

Model	Output	Supply Voltage	Mounting	Sensing Distance	Specifications	Housing Material	Connection
Metal type							P.117
LR12X	0...10V	DC15-30V	f/nf	2mm,4mm	M12*1*53	Nickel-copper alloy	Cable
LR12X	0...20mA	DC15-30V	f/nf	2mm,4mm	M12*1*53	Nickel-copper alloy	Cable
LR12X	4...20mA	DC15-30V	f/nf	2mm,4mm	M12*1*53	Nickel-copper alloy	Cable
LR12X	0...10V/0...20mA	DC15-30V	f/nf	2mm,4mm	M12*1*53	Nickel-copper alloy	Cable
LR12X	0...10V	DC15-30V	f/nf	2mm,4mm	M12*1*56	Nickel-copper alloy	M12 Connector
LR12X	0...20mA	DC15-30V	f/nf	2mm,4mm	M12*1*56	Nickel-copper alloy	M12 Connector
LR12X	4...20mA	DC15-30V	f/nf	2mm,4mm	M12*1*56	Nickel-copper alloy	M12 Connector
LR12X	0...10V/0...20mA	DC15-30V	f/nf	2mm,4mm	M12*1*56	Nickel-copper alloy	M12 Connector
LR18X	0...10V	DC15-30V	f/nf	5mm,8mm	M18*1*53	Nickel-copper alloy	Cable
LR18X	0...20mA	DC15-30V	f/nf	5mm,8mm	M18*1*53	Nickel-copper alloy	Cable
LR18X	4...20mA	DC15-30V	f/nf	5mm,8mm	M18*1*53	Nickel-copper alloy	Cable
LR18X	0...10V/0...20mA	DC15-30V	f/nf	5mm,8mm	M18*1*53	Nickel-copper alloy	Cable
LR18X	0...10V	DC15-30V	f/nf	5mm,8mm	M18*1*56	Nickel-copper alloy	M12 Connector
LR18X	0...20mA	DC15-30V	f/nf	5mm,8mm	M18*1*56	Nickel-copper alloy	M12 Connector
LR18X	4...20mA	DC15-30V	f/nf	5mm,8mm	M18*1*56	Nickel-copper alloy	M12 Connector
LR18X	0...10V/0...20mA	DC15-30V	f/nf	5mm,8mm	M18*1*56	Nickel-copper alloy	M12 Connector
LR30X	0...10V	DC15-30V	f/nf	10mm,15mm	M30*1.5*53	Nickel-copper alloy	Cable
LR30X	0...20mA	DC15-30V	f/nf	10mm,15mm	M30*1.5*53	Nickel-copper alloy	Cable

Inductive sensors

Model	Output	Supply Voltage	Mounting	Sensing Distance	Specifications	Housing Material	Connection
Metal type							P.118
LR30X	4...20mA	DC15-30V	f/nf	10mm,15mm	M30*1.5*62	Nickel-copper alloy	Cable
LR30X	0...10V/0...20mA	DC15-30V	f/nf	10mm,15mm	M30*1.5*62	Nickel-copper alloy	Cable
LR30X	0...10V	DC15-30V	f/nf	10mm,15mm	M30*1.5*73	Nickel-copper alloy	M12 Connector
LR30X	0...20mA	DC15-30V	f/nf	10mm,15mm	M30*1.5*73	Nickel-copper alloy	M12 Connector
LR30X	4...20mA	DC15-30V	f/nf	10mm,15mm	M30*1.5*73	Nickel-copper alloy	M12 Connector
LR30X	0...10V/0...20mA	DC15-30V	f/nf	10mm,15mm	M30*1.5*73	Nickel-copper alloy	M12 Connector

Combined type							P.120
LE40SZ	0...10V	DC15-30V	f/nf	10mm,15mm	40*40*66	PBT	M12 Connector
LE40SZ	0...20mA	DC15-30V	f/nf	10mm,15mm	40*40*66	PBT	M12 Connector
LE40SZ	4...20mA	DC15-30V	f/nf	10mm,15mm	40*40*66	PBT	M12 Connector
LE40SZ	0...10V/0...20mA	DC15-30V	f/nf	10mm,15mm	40*40*66	PBT	M12 Connector
LE40XZ	0...10V	DC15-30V	f/nf	10mm,15mm	40*40*120	PBT	Terminal connect
LE40XZ	0...20mA	DC15-30V	f/nf	10mm,15mm	40*40*120	PBT	Terminal connect
LE40XZ	4...20mA	DC15-30V	f/nf	10mm,15mm	40*40*120	PBT	Terminal connect
LE40XZ	0...10V/0...20mA	DC15-30V	f/nf	10mm,15mm	40*40*120	PBT	Terminal connect
LE40XZ	0...10V	DC15-30V	f/nf	10mm,15mm	40*40*120	PBT	M12 Connector
LE40XZ	0...20mA	DC15-30V	f/nf	10mm,15mm	40*40*120	PBT	M12 Connector
LE40XZ	4...20mA	DC15-30V	f/nf	10mm,15mm	40*40*120	PBT	M12 Connector
LE40XZ	0...10V/0...20mA	DC15-30V	f/nf	10mm,15mm	40*40*120	PBT	M12 Connector
LE80XZ	0...10V	DC15-30V	f/nf	40mm,50mm	80*80*40	PBT	Terminal connect
LE80XZ	0...20mA	DC15-30V	f/nf	40mm,50mm	80*80*40	PBT	Terminal connect
LE80XZ	4...20mA	DC15-30V	f/nf	40mm,50mm	80*80*40	PBT	Terminal connect
LE80XZ	0...10V/0...20mA	DC15-30V	f/nf	40mm,50mm	80*80*40	PBT	Terminal connect
LE80XZ	0...10V	DC15-30V	f/nf	40mm,50mm	80*80*40	PBT	M12 Connector
LE80XZ	0...20mA	DC15-30V	f/nf	40mm,50mm	80*80*40	PBT	M12 Connector
LE80XZ	4...20mA	DC15-30V	f/nf	40mm,50mm	80*80*40	PBT	M12 Connector
LE80XZ	0...10V/0...20mA	DC15-30V	f/nf	40mm,50mm	80*80*40	PBT	M12 Connector

Extended temperature

P.123

Model	Output	Supply Voltage	Mounting	Sensing Distance	Specifications	Housing Material	Connection
Metal type (-40°C+70°C)							P.123
LR12X	DC 3 Wires	DC10-30V	f/nf	2mm,4mm	M12*1*51	Nickel-copper alloy	Cable
LR12X	DC 3 Wires	DC10-30V	f/nf	2mm,4mm	M12*1*63	Nickel-copper alloy	M12 Connector

Inductive sensors

Model	Output	Supply Voltage	Mounting	Sensing Distance	Specifications	Housing Material	Connection
Metal type (-40°C+70°C)							P.124
LR18X	DC 3 Wires	DC10-30V	f/nf	5mm,8mm	M18*1*43	Nickel-copper alloy	Cable
LR18X	DC 3 Wires	DC10-30V	f/nf	5mm,8mm	M18*1*46	Nickel-copper alloy	M12 Connector
LR30X	DC 3 Wires	DC10-30V	f/nf	10mm,15mm	M30*1.5*43	Nickel-copper alloy	Cable
LR30X	DC 3 Wires	DC10-30V	f/nf	10mm,15mm	M30*1.5*46	Nickel-copper alloy	M12 Connector

Combined type (-40°C+70°C)							P.126
LE40SZ	DC 3/4 Wires	DC10-30V	f/nf	15mm,20mm	40*40*66	PBT	M12 Connector
LE40XZ	DC 3/4 Wires	DC10-30V	f/nf	15mm,20mm	40*40*120	PBT	Terminal connect
LE40XZ	DC 3/4 Wires	DC10-30V	f/nf	15mm,20mm	40*40*120	PBT	M12 Connector
LE80XZ	DC 3/4 Wires	DC10-30V	f/nf	40mm,50mm	80*80*40	PBT	Terminal connect
LE80XZ	DC 3/4 Wires	DC10-30V	f/nf	40mm,50mm	80*80*40	PBT	M12 Connector

Metal type (-25°C+120°C)							P.129
LR12X	DC 3 Wires	DC10-30V	f/nf	2mm,4mm	M12*1*43	Nickel-copper alloy	Cable
LR12X	DC 3 Wires	DC10-30V	f/nf	2mm,4mm	M12*1*46	Nickel-copper alloy	M12 Connector
LR18X	DC 3 Wires	DC10-30V	f/nf	5mm,8mm	M18*1*43	Nickel-copper alloy	Cable
LR18X	DC 3 Wires	DC10-30V	f/nf	5mm,8mm	M18*1*46	Nickel-copper alloy	M12 Connector
LR30X	DC 3 Wires	DC10-30V	f/nf	10mm,15mm	M30*1.5*43	Nickel-copper alloy	Cable
LR30X	DC 3 Wires	DC10-30V	f/nf	10mm,15mm	M30*1.5*46	Nickel-copper alloy	M12 Connector

Combined type (-25°C+100°C)							P.132
LE40XZ	DC 3/4 Wires	DC10-30V	f/nf	15mm,20mm	40*40*120	PBT	M12 Connector
LE80XZ	DC 3/4 Wires	DC10-30V	f/nf	40mm,50mm	80*80*40	PBT	Terminal connect

High pressure resistant

P.135

Model	Output	Supply Voltage	Mounting	Sensing Distance	Specifications	Housing Material	Connection
LR12X	DC 3 Wires	DC10-30V	f	1.5mm	M12*1*40	Stainless steel	Cable
LR12X	DC 3 Wires	DC10-30V	f	1.5mm	M12*1*40	Stainless steel	M12 Connector
LR18X	DC 3 Wires	DC10-30V	f	2mm	M18*1*46	Stainless steel	Cable
LR18X	DC 3 Wires	DC10-30V	f	2mm	M18*1*46	Stainless steel	M12 Connector
LR16X	DC 3 Wires	DC10-30V	f	2mm	M16*1*44	Stainless steel	Cable
LR16X	DC 3 Wires	DC10-30V	f	2mm	M16*1*44	Stainless steel	M12 Connector
LR14X	DC 3 Wires	DC10-30V	f	2mm	9/16-18UNF*8	Stainless steel	Cable
LR14X	DC 3 Wires	DC10-30V	f	2mm	9/16-18UNF*8	Stainless steel	M12 Connector

Inductive sensors

Frequency enhanced

P.137

Model	Output	Supply Voltage	Mounting	Sensing Distance	Specifications	Housing Material	Connection
LR12X	DC 3 Wires	DC10-30V	f/nf	2mm,4mm	M12*1*53	Nickel-copper alloy	Cable
LR12X	DC 3 Wires	DC10-30V	f/nf	2mm,4mm	M12*1*56	Nickel-copper alloy	M12 Connector
LR18X	DC 3 Wires	DC10-30V	f/nf	5mm,8mm	M18*1*53	Nickel-copper alloy	Cable
LR18X	DC 3 Wires	DC10-30V	f/nf	5mm,8mm	M18*1*56	Nickel-copper alloy	M12 Connector

Gear speed monitoring

P.139

Model	Output	Supply Voltage	Mounting	Sensing Distance	Specifications	Housing Material	Connection
FY12	DC 3 Wires	DC10-30V	f	2mm,2mm	M12*1*53	Nickel-copper alloy	Cable
FY12	DC 3 Wires	DC10-30V	f	2mm,2mm	M12*1*56	Nickel-copper alloy	M12 Connector
FY18	DC 3 Wires	DC10-30V	f	2mm,2mm	M18*1*53	Nickel-copper alloy	Cable
FY18	DC 3 Wires	DC10-30V	f	2mm,2mm	M18*1*56	Nickel-copper alloy	M12 Connector

Full metal housing

P.140

Model	Output	Supply Voltage	Mounting	Sensing Distance	Specifications	Housing Material	Connection
LR12X	DC 3 Wires	DC10-30V	f	2mm	M12*1*53	Stainless steel	Cable
LR12X	DC 3 Wires	DC10-30V	f	2mm	M12*1*56	Stainless steel	M12 Connector
LR18X	DC 3 Wires	DC10-30V	f	5mm	M18*1*53	Stainless steel	Cable
LR18X	DC 3 Wires	DC10-30V	f	5mm	M18*1*56	Stainless steel	M12 Connector
LR30X	DC 3 Wires	DC10-30V	f	10mm	M30*1.5*53	Stainless steel	Cable
LR30X	DC 3 Wires	DC10-30V	f	10mm	M30*1.5*56	Stainless steel	M12 Connector

Welding-immune

P.142

Model	Output	Supply Voltage	Mounting	Sensing Distance	Specifications	Housing Material	Connection
LR12X	DC 3 Wires	DC10-30V	f/nf	2mm,4mm	M12*1*43	Brass+PTFE	Cable
LR12X	DC 3 Wires	DC10-30V	f/nf	2mm,4mm	M12*1*46	Brass+PTFE	M12 Connector
LR18X	DC 3 Wires	DC10-30V	f/nf	5mm,8mm	M18*1*43	Brass+PTFE	Cable
LR18X	DC 3 Wires	DC10-30V	f/nf	5mm,8mm	M18*1*46	Brass+PTFE	M12 Connector
LR30X	DC 3 Wires	DC10-30V	f/nf	10mm,15mm	M30*1.5*43	Brass+PTFE	Cable
LR30X	DC 3 Wires	DC10-30V	f/nf	10mm,15mm	M30*1.5*46	Brass+PTFE	M12 Connector
LE40SZ	DC 3 Wires	DC10-30V	f/nf	15mm,20mm	40*40*66	PBT+PTFE	M12 Connector
LE40XZ	DC 3 Wires	DC10-30V	f/nf	15mm,20mm	40*40*120	PBT+PTFE	Terminal connect

Rotation speed monitor

P.146

Model	Output	Supply Voltage	Mounting	Sensing Distance	Specifications	Housing Material	Connection
LR18X	DC 3 Wires	DC10-30V	f/nf	5mm,8mm	M18*1*53	Nickel-copper alloy	Cable
LR18X	AC 2 Wires	AC20-250V	f/nf	5mm,8mm	M18*1*53	Nickel-copper alloy	Cable
LR30X	DC 3 Wires	DC10-30V	f/nf	10mm,15mm	M30*1.5*53	Nickel-copper alloy	Cable
LR30X	AC 2 Wires	AC20-250V	f/nf	10mm,15mm	M30*1.5*53	Nickel-copper alloy	Cable

Self-diagnosed

P.148

Model	Output	Supply Voltage	Mounting	Sensing Distance	Specifications	Housing Material	Connection
LR12X	DC 3 Wires	DC20-30V	nf	3.7mm	M12*1*57	Nickel-copper alloy	Cable
LR12X	DC 3 Wires	DC20-30V	nf	3.7mm	M12*1*40	Nickel-copper alloy	M12 Connector
LR12X	DC 3 Wires	DC20-30V	nf	3.7mm	M12*1*60	Nickel-copper alloy	M12 Connector

Inductive sensors

Wide voltage

metal type

P.149

Model	Output	Supply Voltage	Mounting	Sensing Distance	Specifications	Housing Material	Connection
DC 3/4 Wires							P149
LR12	DC 3 Wires	DC10-60V	f/nf	2mm,4mm	M12*1*40	Nickel-copper alloy	Cable
LR12	DC 3 Wires	DC10-60V	f/nf	2mm,4mm	M12*1*40	Nickel-copper alloy	M12 Connector
LR18	DC 3 Wires	DC10-60V	f/nf	5mm,8mm	M18*1*40	Nickel-copper alloy	Cable
LR18	DC 3 Wires	DC10-60V	f/nf	5mm,8mm	M18*1*40	Nickel-copper alloy	M12 Connector
LR30	DC 3 Wires	DC10-60V	f/nf	10mm,15mm	M30*1.5*40	Nickel-copper alloy	Cable
LR30	DC 3 Wires	DC10-60V	f/nf	10mm,15mm	M30*1.5*40	Nickel-copper alloy	M12 Connector
DC 2 Wires							P152
LR12	DC 2 Wires	DC10-60V	f/nf	2mm,4mm	M12*1*43	Nickel-copper alloy	Cable
LR12	DC 2 Wires	DC10-60V	f/nf	2mm,4mm	M12*1*46	Nickel-copper alloy	M12 Connector
LR18	DC 2 Wires	DC10-60V	f/nf	5mm,8mm	M18*1*43	Nickel-copper alloy	Cable
LR18	DC 2 Wires	DC10-60V	f/nf	5mm,8mm	M18*1*46	Nickel-copper alloy	M12 Connector
LR30	DC 2 Wires	DC10-60V	f/nf	10mm,15mm	M30*1.5*43	Nickel-copper alloy	Cable
LR30	DC 2 Wires	DC10-60V	f/nf	10mm,15mm	M30*1.5*46	Nickel-copper alloy	M12 Connector

Wide voltage

combined type

P.155

Model	Output	Supply Voltage	Mounting	Sensing Distance	Specifications	Housing Material	Connection
DC 3/4 Wires							P155
LE40SZ	DC 3/4 Wires	DC10-60V	f/nf	15mm,20mm	40*40*66	PBT	M12 Connector
LE40XZ	DC 3/4 Wires	DC10-60V	f/nf	15mm,20mm	40*40*120	PBT	Terminal connect
LE40XZ	DC 3/4 Wires	DC10-60V	f/nf	15mm,20mm	40*40*120	PBT	M12 Connector
LE80XZ	DC 3/4 Wires	DC10-60V	f/nf	40mm,50mm	80*80*40	PBT	Terminal connect
LE80XZ	DC 3/4 Wires	DC10-60V	f/nf	40mm,50mm	80*80*40	PBT	M12 Connector
DC 2 Wires							P.158
LE40SZ	DC 2 Wires	DC10-60V	f/nf	15mm,20mm	40*40*66	PBT	M12 Connector
LE40XZ	DC 2 Wires	DC10-60V	f/nf	15mm,20mm	40*40*120	PBT	Terminal connect
LE40XZ	DC 2 Wires	DC10-60V	f/nf	15mm,20mm	40*40*120	PBT	M12 Connector
LE80XZ	DC 2 Wires	DC10-60V	f/nf	40mm,50mm	80*80*40	PBT	Terminal connect
LE80XZ	DC 2 Wires	DC10-60V	f/nf	40mm,50mm	80*80*40	PBT	M12 Connector

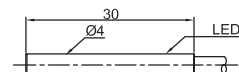
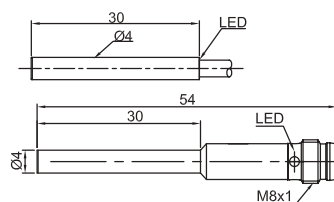
Item Code	LR04Q		LR04XQ	
Mounting	● Flush	● Flush	● Flush	
Sensing distance	0.8 mm	0.8 mm	0.8 mm	



Output	NPN NO	LR04QAF08DNO	LR04QAF08DNO-E1	LR04XQAF08DNO	
	NPN NC	LR04QAF08DNC	LR04QAF08DNC-E1	LR04XQAF08DNC	
Output	PNP NO	LR04QAF08DPO	LR04QAF08DPO-E1	LR04XQAF08DPO	
	PNP NC	LR04QAF08DPC	LR04QAF08DPC-E1	LR04XQAF08DPC	

Technical Parameter				
Supply voltage	10...30 VDC	10...30 VDC	10...30 VDC	
Switch point drift	< ±10% Sr	< ±10% Sr	< ±10% Sr	
Load current	<100mA	<100mA	<100mA	
Voltage drop	<2.5V	<2.5V	<2.5V	
Consumption current	<10mA	<10mA	<10mA	
Hysteresis	1...20%	1...20%	1...20%	
Repeat accuracy	<3%	<3%	<3%	
Frequency	2000Hz	2000Hz	2000Hz	
Output indicator	Red LED	Red LED	Red LED	
Polarity protection	yes	yes	yes	
Dielectric strength	
Short-circuit protection	
Ambient temperature	-25...+70°C	-25...+70°C	-25...+70°C	
Ambient moisture	35...95%	35...95%	35...95%	
Protection degree	IP67	IP67	IP67	
Housing material	Stainless steel	Stainless steel	Stainless steel	
Connection	2m PUR Cable	M8 Connector	2m PUR Cable	
Certification	CE	CE	CE	

* Cable material and length can be customized



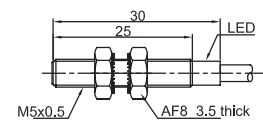
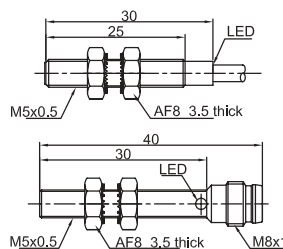
Item Code	LR05		LR05X	
Mounting	● Flush	● Flush	● Flush	
Sensing distance	0.8 mm	0.8 mm	0.8 mm	



Output	NPN NO	LR05AF08DNO	LR05AF08DNO-E1	LR05XAF08DNO	
	NPN NC	LR05AF08DNC	LR05AF08DNC-E1	LR05XAF08DNC	
Output	PNP NO	LR05AF08DPO	LR05AF08DPO-E1	LR05XAF08DPO	
	PNP NC	LR05AF08DPC	LR05AF08DPC-E1	LR05XAF08DPC	

Technical Parameter				
Supply voltage	10...30 VDC	10...30 VDC	10...30 VDC	
Switch point drift	< ±10% Sr	< ±10% Sr	< ±10% Sr	
Load current	<100mA	<100mA	<100mA	
Voltage drop	<2.5V	<2.5V	<2.5V	
Consumption current	<10mA	<10mA	<10mA	
Hysteresis	1...20%	1...20%	1...20%	
Repeat accuracy	<3%	<3%	<3%	
Frequency	2000Hz	2000Hz	2000Hz	
Output indicator	Red LED	Red LED	Red LED	
Polarity protection	yes	yes	yes	
Dielectric strength	
Short-circuit protection	
Ambient temperature	-25...+70°C	-25...+70°C	-25...+70°C	
Ambient moisture	35...95%	35...95%	35...95%	
Protection degree	IP67	IP67	IP67	
Housing material	Stainless steel	Stainless steel	Stainless steel	
Connection	2m PUR Cable	M8 Connector	2m PUR Cable	
Certification	CE	CE	CE	

* Cable material and length can be customized



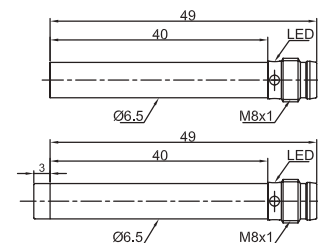
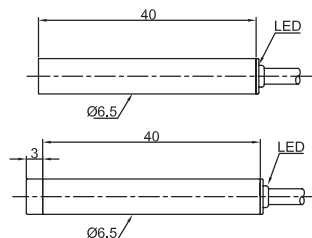
Item Code	LR6.5Q		LR6.5Q	
Mounting	● Flush	◐ Non-flush	● Flush	◐ Non-flush
Sensing distance	1.5 mm	2mm	1.5 mm	2mm



Output	NPN NO	LR6.5QBF15DNO	LR6.5QBN02DNO	LR6.5QBF15DNO-E1	LR6.5QBN02DNO-E1
	NPN NC	LR6.5QBF15DNC	LR6.5QBN02DNC	LR6.5QBF15DNC-E1	LR6.5QBN02DNC-E1
Output	PNP NO	LR6.5QBF15DPO	LR6.5QBN02DPO	LR6.5QBF15DPO-E1	LR6.5QBN02DPO-E1
	PNP NC	LR6.5QBF15DPC	LR6.5QBN02DPC	LR6.5QBF15DPC-E1	LR6.5QBN02DPC-E1

Technical Parameter				
Supply voltage	10...30 VDC	10...30 VDC	10...30 VDC	10...30 VDC
Switch point drift	< ±10% Sr	< ±10% Sr	< ±10% Sr	< ±10% Sr
Load current	<150mA	<150mA	<150mA	<150mA
Voltage drop	<2.5V	<2.5V	<2.5V	<2.5V
Consumption current	<10mA	<10mA	<10mA	<10mA
Hysteresis	1...20%	1...20%	1...20%	1...20%
Repeat accuracy	<3%	<3%	<3%	<3%
Frequency	2000Hz	1500Hz	2000Hz	1500Hz
Output indicator	Yellow LED	Yellow LED	Yellow LED	Yellow LED
Polarity protection	yes	yes	yes	yes
Dielectric strength
Short-circuit protection	yes	yes	yes	yes
Ambient temperature	-25...+70°C	-25...+70°C	-25...+70°C	-25...+70°C
Ambient moisture	35...95%	35...95%	35...95%	35...95%
Protection degree	IP67	IP67	IP67	IP67
Housing material	Stainless steel	Stainless steel	Stainless steel	Stainless steel
Connection	2m PVC Cable	2m PVC Cable	M8 Connector	M8 Connector
Certification	CE	CE	CE	CE

* Cable material and length can be customized



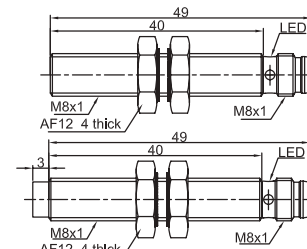
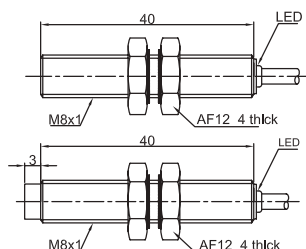
Item Code	LR08		LR08	
Mounting	● Flush	◐ Non-flush	● Flush	◐ Non-flush
Sensing distance	1.5 mm	2mm	1.5 mm	2mm



Output	NPN NO	LR08BF15DNO	LR08BN02DNO	LR08BF15DNO-E1	LR08BN02DNO-E1
	NPN NC	LR08BF15DNC	LR08BN02DNC	LR08BF15DNC-E1	LR08BN02DNC-E1
Output	PNP NO	LR08BF15DPO	LR08BN02DPO	LR08BF15DPO-E1	LR08BN02DPO-E1
	PNP NC	LR08BF15DPC	LR08BN02DPC	LR08BF15DPC-E1	LR08BN02DPC-E1

Technical Parameter				
Supply voltage	10...30 VDC	10...30 VDC	10...30 VDC	10...30 VDC
Switch point drift	< ±10% Sr	< ±10% Sr	< ±10% Sr	< ±10% Sr
Load current	<150mA	<150mA	<150mA	<150mA
Voltage drop	<2.5V	<2.5V	<2.5V	<2.5V
Consumption current	<10mA	<10mA	<10mA	<10mA
Hysteresis	1...20%	1...20%	1...20%	1...20%
Repeat accuracy	<3%	<3%	<3%	<3%
Frequency	2000Hz	1500Hz	2000Hz	1500Hz
Output indicator	Yellow LED	Yellow LED	Yellow LED	Yellow LED
Polarity protection	yes	yes	yes	yes
Dielectric strength
Short-circuit protection	yes	yes	yes	yes
Ambient temperature	-25...+70°C	-25...+70°C	-25...+70°C	-25...+70°C
Ambient moisture	35...95%	35...95%	35...95%	35...95%
Protection degree	IP67	IP67	IP67	IP67
Housing material	Stainless steel	Stainless steel	Stainless steel	Stainless steel
Connection	2m PVC Cable	2m PVC Cable	M8 Connector	M8 Connector
Certification	CE	CE	CE	CE

* Cable material and length can be customized



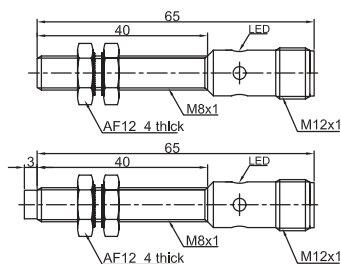
Item Code	LR08	
Mounting	● Flush	◐ Non-flush
Sensing distance	1.5 mm	2mm



Output	NPN NO	LR08BF15DNO-E2	LR08BN02DNO-E2
	NPN NC	LR08BF15DNC-E2	LR08BN02DNC-E2
Output	PNP NO	LR08BF15DPO-E2	LR08BN02DPO-E2
	PNP NC	LR08BF15DPC-E2	LR08BN02DPC-E2

Technical Parameter	
Supply voltage	10...30 VDC
Switch point drift	< ±10% Sr
Load current	<150mA
Voltage drop	<2.5V
Consumption current	<10mA
Hysteresis	1...20%
Repeat accuracy	<3%
Frequency	2000Hz
Output indicator	Yellow LED
Polarity protection	yes
Dielectric strength	...
Short-circuit protection	yes
Ambient temperature	-25...+70°C
Ambient moisture	35...95%
Protection degree	IP67
Housing material	Nickel-copper alloy
Connection	M12 Connector
Certification	CE

* Cable material and length can be customized



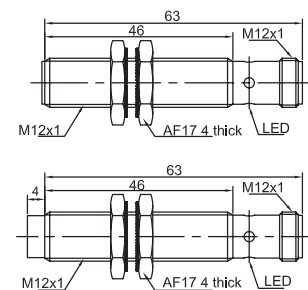
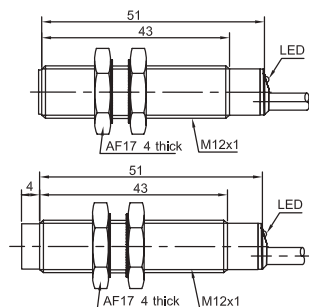
Item Code	LR12X		LR12X	
Mounting	● Flush	◐ Non-flush	● Flush	◐ Non-flush
Sensing distance	2mm	4mm	2mm	4mm



Output	NPN NO	LR12XBF02DNO	LR12XBN04DNO	LR12XBF02DNO-E2	LR12XBN04DNO-E2
	NPN NC	LR12XBF02DNC	LR12XBN04DNC	LR12XBF02DNC-E2	LR12XBN04DNC-E2
	NPN NO+NC	LR12XBF02DNR	LR12XBN04DNR	LR12XBF02DNR-E2	LR12XBN04DNR-E2
Output	PNP NO	LR12XBF02DPO	LR12XBN04DPO	LR12XBF02DPO-E2	LR12XBN04DPO-E2
	PNP NC	LR12XBF02DPC	LR12XBN04DPC	LR12XBF02DPC-E2	LR12XBN04DPC-E2
	PNP NO+NC	LR12XBF02DPR	LR12XBN04DPR	LR12XBF02DPR-E2	LR12XBN04DPR-E2

Technical Parameter				
Supply voltage	10...30 VDC	10...30 VDC	10...30 VDC	10...30 VDC
Switch point drift	< ±10% Sr	< ±10% Sr	< ±10% Sr	< ±10% Sr
Load current	<200mA	<200mA	<200mA	<200mA
Voltage drop	<2.5V	<2.5V	<2.5V	<2.5V
Consumption current	<15mA	<15mA	<15mA	<15mA
Hysteresis	1...20%	1...20%	1...20%	1...20%
Repeat accuracy	<3%	<3%	<3%	<3%
Frequency	1500Hz	1000Hz	1500Hz	1000Hz
Output indicator	Yellow LED	Yellow LED	Yellow LED	Yellow LED
Polarity protection	yes	yes	yes	yes
Dielectric strength	1000V/AC 50/60Hz 60s	1000V/AC 50/60Hz 60s	1000V/AC 50/60Hz 60s	1000V/AC 50/60Hz 60s
Short-circuit protection	yes	yes	yes	yes
Ambient temperature	-25...+70°C	-25...+70°C	-25...+70°C	-25...+70°C
Ambient moisture	35...95%	35...95%	35...95%	35...95%
Protection degree	IP67	IP67	IP67	IP67
Housing material	Nickel-copper alloy	Nickel-copper alloy	Nickel-copper alloy	Nickel-copper alloy
Connection	2m PVC Cable	2m PVC Cable	M12 Connector	M12 Connector
Certification	CE U _L	CE U _L	CE U _L	CE U _L

* Cable material and length can be customized



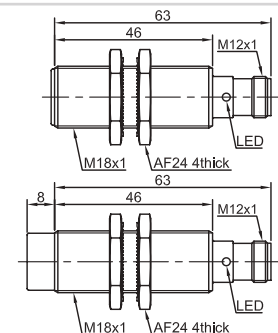
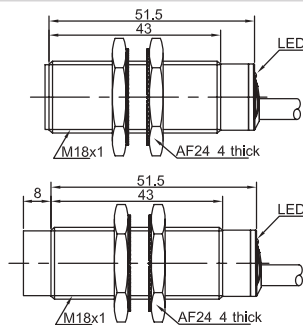
Item Code	LR18X		LR18X	
Mounting	● Flush	◐ Non-flush	● Flush	◐ Non-flush
Sensing distance	5mm	8mm	5mm	8mm



Output	NPN NO	LR18XBF05DNO	LR18XBN08DNO	LR18XBF05DNO-E2	LR18XBN08DNO-E2
	NPN NC	LR18XBF05DNC	LR18XBN08DNC	LR18XBF05DNC-E2	LR18XBN08DNC-E2
	NPN NO+NC	LR18XBF05DNR	LR18XBN08DNR	LR18XBF05DNR-E2	LR18XBN08DNR-E2
Output	PNP NO	LR18XBF05DPO	LR18XBN08DPO	LR18XBF05DPO-E2	LR18XBN08DPO-E2
	PNP NC	LR18XBF05DPC	LR18XBN08DPC	LR18XBF05DPC-E2	LR18XBN08DPC-E2
	PNP NO+NC	LR18XBF05DPR	LR18XBN08DPR	LR18XBF05DPR-E2	LR18XBN08DPR-E2

Technical Parameter				
Supply voltage	10...30 VDC	10...30 VDC	10...30 VDC	10...30 VDC
Switch point drift	< ±10% Sr	< ±10% Sr	< ±10% Sr	< ±10% Sr
Load current	<200mA	<200mA	<200mA	<200mA
Voltage drop	<2.5V	<2.5V	<2.5V	<2.5V
Consumption current	<15mA	<15mA	<15mA	<15mA
Hysteresis	1...20%	1...20%	1...20%	1...20%
Repeat accuracy	<3%	<3%	<3%	<3%
Frequency	1000Hz	800Hz	1000Hz	800Hz
Output indicator	Yellow LED	Yellow LED	Yellow LED	Yellow LED
Polarity protection	yes	yes	yes	yes
Dielectric strength	1000V/AC 50/60Hz 60s	1000V/AC 50/60Hz 60s	1000V/AC 50/60Hz 60s	1000V/AC 50/60Hz 60s
Short-circuit protection	yes	yes	yes	yes
Ambient temperature	-25...+70°C	-25...+70°C	-25...+70°C	-25...+70°C
Ambient moisture	35...95%	35...95%	35...95%	35...95%
Protection degree	IP67	IP67	IP67	IP67
Housing material	Nickel-copper alloy	Nickel-copper alloy	Nickel-copper alloy	Nickel-copper alloy
Connection	2m PVC Cable	2m PVC Cable	M12 Connector	M12 Connector
Certification	CE U _L	CE U _L	CE U _L	CE U _L

* Cable material and length can be customized



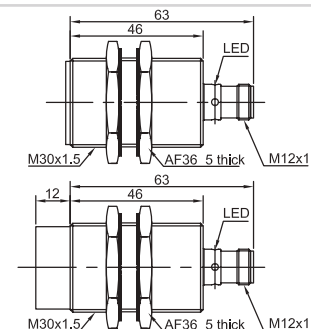
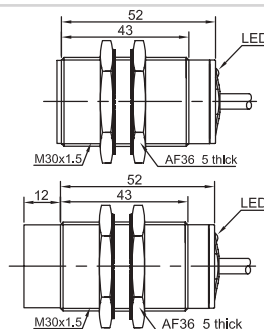
Item Code	LR30X		LR30X	
Mounting	● Flush	◐ Non-flush	● Flush	◐ Non-flush
Sensing distance	10mm	15mm	10mm	15mm



Output	NPN NO	LR30XB10DNO	LR30XBN15DNO	LR30XB10DNO-E2	LR30XBN15DNO-E2
	NPN NC	LR30XB10DNC	LR30XBN15DNC	LR30XB10DNC-E2	LR30XBN15DNC-E2
	NPN NO+NC	LR30XB10DNR	LR30XBN15DNR	LR30XB10DNR-E2	LR30XBN15DNR-E2
Output	PNP NO	LR30XB10DPO	LR30XBN15DPO	LR30XB10DPO-E2	LR30XBN15DPO-E2
	PNP NC	LR30XB10DPC	LR30XBN15DPC	LR30XB10DPC-E2	LR30XBN15DPC-E2
	PNP NO+NC	LR30XB10DPR	LR30XBN15DPR	LR30XB10DPR-E2	LR30XBN15DPR-E2

Technical Parameter				
Supply voltage	10...30 VDC	10...30 VDC	10...30 VDC	10...30 VDC
Switch point drift	< ±10% Sr	< ±10% Sr	< ±10% Sr	< ±10% Sr
Load current	<200mA	<200mA	<200mA	<200mA
Voltage drop	<2.5V	<2.5V	<2.5V	<2.5V
Consumption current	<15mA	<15mA	<15mA	<15mA
Hysteresis	1...20%	1...20%	1...20%	1...20%
Repeat accuracy	<3%	<3%	<3%	<3%
Frequency	500Hz	300Hz	500Hz	300Hz
Output indicator	Yellow LED	Yellow LED	Yellow LED	Yellow LED
Polarity protection	yes	yes	yes	yes
Dielectric strength	1000V/AC 50/60Hz 60s	1000V/AC 50/60Hz 60s	1000V/AC 50/60Hz 60s	1000V/AC 50/60Hz 60s
Short-circuit protection	yes	yes	yes	yes
Ambient temperature	-25...+70°C	-25...+70°C	-25...+70°C	-25...+70°C
Ambient moisture	35...95%	35...95%	35...95%	35...95%
Protection degree	IP67	IP67	IP67	IP67
Housing material	Nickel-copper alloy	Nickel-copper alloy	Nickel-copper alloy	Nickel-copper alloy
Connection	2m PVC Cable	2m PVC Cable	M12 Connector	M12 Connector
Certification	CE U _L	CE U _L	CE U _L	CE U _L

* Cable material and length can be customized



Item Code	LR6.5Q		LR6.5Q	
Mounting	● Flush	◐ Non-flush	● Flush	◐ Non-flush
Sensing distance	1.5 mm	2mm	1.5 mm	2mm

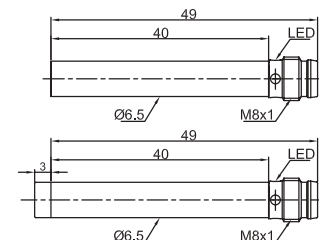
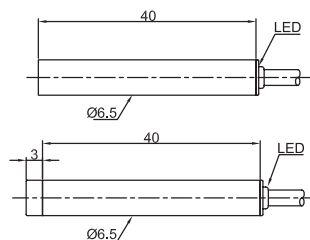


Output	DC 2 Wires NO	LR6.5QBF15DLO	LR6.5QBN02DLO	LR6.5QBF15DLO-E1	LR6.5QBN02DLO-E1
	DC 2 Wires NC	LR6.5QBF15DLC	LR6.5QBN02DLC	LR6.5QBF15DLC-E1	LR6.5QBN02DLC-E1

Technical Parameter

Supply voltage	10...30 VDC	10...30 VDC	10...30 VDC	10...30 VDC
Switch point drift	< ±10% Sr	< ±10% Sr	< ±10% Sr	< ±10% Sr
Load current	<100mA	<100mA	<100mA	<100mA
Voltage drop	<8V	<8V	<8V	<8V
Leakage current	<1mA	<1mA	<1mA	<1mA
Hysteresis	1...20%	1...20%	1...20%	1...20%
Repeat accuracy	<3%	<3%	<3%	<3%
Frequency	1000Hz	800Hz	1000Hz	800Hz
Output indicator	Yellow LED	Yellow LED	Yellow LED	Yellow LED
Polarity protection	yes	yes	yes	yes
Dielectric strength
Short-circuit protection
Ambient temperature	-25...+70°C	-25...+70°C	-25...+70°C	-25...+70°C
Ambient moisture	35...95%	35...95%	35...95%	35...95%
Protection degree	IP67	IP67	IP67	IP67
Housing material	Stainless steel	Stainless steel	Stainless steel	Stainless steel
Connection	2m PVC Cable	2m PVC Cable	M8 Connector	M8 Connector
Certification	CE	CE	CE	CE

* Cable material and length can be customized



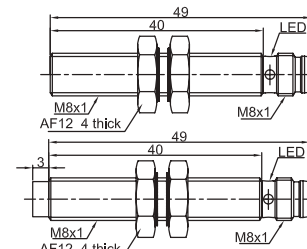
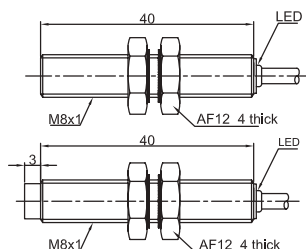
Item Code	LR08		LR08	
Mounting	● Flush	◐ Non-flush	● Flush	◐ Non-flush
Sensing distance	1.5 mm	2mm	1.5 mm	2mm



Output	DC 2 Wires NO	LR08BF15DLO	LR08BN02DLO	LR08BF15DLO-E1	LR08BN02DLO-E1
	DC 2 Wires NC	LR08BF15DLC	LR08BN02DLC	LR08BF15DLC-E1	LR08BN02DLC-E1

Technical Parameter				
Supply voltage	10...30 VDC	10...30 VDC	10...30 VDC	10...30 VDC
Switch point drift	< ±10% Sr	< ±10% Sr	< ±10% Sr	< ±10% Sr
Load current	<100mA	<100mA	<100mA	<100mA
Voltage drop	<8V	<8V	<8V	<8V
Leakage current	<1mA	<1mA	<1mA	<1mA
Hysteresis	1...20%	1...20%	1...20%	1...20%
Repeat accuracy	<3%	<3%	<3%	<3%
Frequency	1000Hz	800Hz	1000Hz	800Hz
Output indicator	Yellow LED	Yellow LED	Yellow LED	Yellow LED
Polarity protection	yes	yes	yes	yes
Dielectric strength
Short-circuit protection	yes	yes	yes	yes
Ambient temperature	-25...+70°C	-25...+70°C	-25...+70°C	-25...+70°C
Ambient moisture	35...95%	35...95%	35...95%	35...95%
Protection degree	IP67	IP67	IP67	IP67
Housing material	Stainless steel	Stainless steel	Stainless steel	Stainless steel
Connection	2m PVC Cable	2m PVC Cable	M8 Connector	M8 Connector
Certification	CE	CE	CE	CE

* Cable material and length can be customized

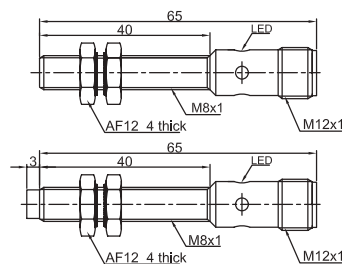


Item Code	LR08			
Mounting	● Flush	◐ Non-flush		
Sensing distance	1.5 mm	2mm		



Output	DC 2 Wires NO	LR08BF15DLO-E2	LR08BN02DLO-E2		
	DC 2 Wires NC	LR08BF15DLC-E2	LR08BN02DLC-E2		

Technical Parameter					
Supply voltage		10...30 VDC	10...30 VDC		
Switch point drift		< ±10% Sr	< ±10% Sr		
Load current		<100mA	<100mA		
Voltage drop		<8V	<8V		
Leakage current		<1mA	<1mA		
Hysteresis		1...20%	1...20%		
Repeat accuracy		<3%	<3%		
Frequency		1000Hz	800Hz		
Output indicator		Yellow LED	Yellow LED		
Polarity protection		yes	yes		
Dielectric strength			
Short-circuit protection		yes	yes		
Ambient temperature		-25...+70°C	-25...+70°C		
Ambient moisture		35...95%	35...95%		
Protection degree		IP67	IP67		
Housing material		Nickel-copper alloy	Nickel-copper alloy		
Connection		M12 Connector	M12 Connector		
Certification		CE	CE		



Item Code	LR12X		LR12X	
Mounting	● Flush	◐ Non-flush	● Flush	◐ Non-flush
Sensing distance	2 mm	4mm	2 mm	4mm

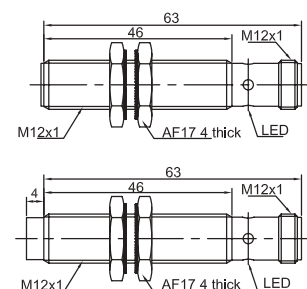
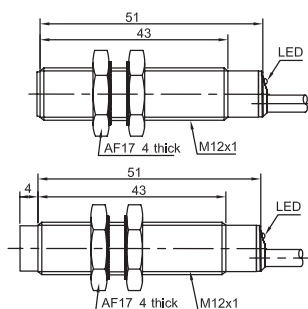


Output	DC 2 Wires NO	LR12XBF02DLO	LR12XBN04DLO	LR12XBF02DLO-E2	LR12XBN04DLO-E2
	DC 2 Wires NC	LR12XBF02DLC	LR12XBN04DLC	LR12XBF02DLC-E2	LR12XBN04DLC-E2

Technical Parameter

Supply voltage	10...30 VDC	10...30 VDC	10...30 VDC	10...30 VDC
Switch point drift	< ±10% Sr	< ±10% Sr	< ±10% Sr	< ±10% Sr
Load current	<100mA	<100mA	<100mA	<100mA
Voltage drop	<6V	<6V	<6V	<6V
Leakage current	<1mA	<1mA	<1mA	<1mA
Hysteresis	1...20%	1...20%	1...20%	1...20%
Repeat accuracy	<3%	<3%	<3%	<3%
Frequency	800Hz	500Hz	800Hz	500Hz
Output indicator	Yellow LED	Yellow LED	Yellow LED	Yellow LED
Polarity protection	yes	yes	yes	yes
Dielectric strength	1000V/AC 50/60Hz 60s	1000V/AC 50/60Hz 60s	1000V/AC 50/60Hz 60s	1000V/AC 50/60Hz 60s
Short-circuit protection	yes	yes	yes	yes
Ambient temperature	-25...+70°C	-25...+70°C	-25...+70°C	-25...+70°C
Ambient moisture	35...95%	35...95%	35...95%	35...95%
Protection degree	IP67	IP67	IP67	IP67
Housing material	Nickel-copper alloy	Nickel-copper alloy	Nickel-copper alloy	Nickel-copper alloy
Connection	2m PVC Cable	2m PVC Cable	M12 Connector	M12 Connector
Certification	CE U _L	CE U _L	CE U _L	CE U _L

* Cable material and length can be customized



Item Code	LR18X		LR18X	
Mounting	● Flush	◐ Non-flush	● Flush	◐ Non-flush
Sensing distance	5 mm	8mm	5 mm	8mm

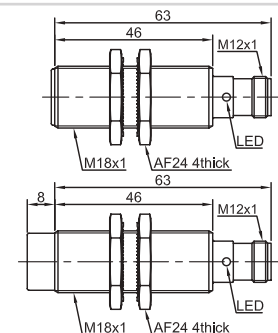
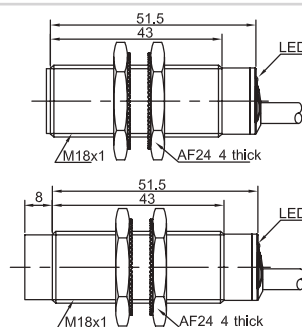


Output	DC 2 Wires NO	LR18XBF05DLO	LR18XBN08DLO	LR18XBF05DLO-E2	LR18XBN08DLO-E2
	DC 2 Wires NC	LR18XBF05DLC	LR18XBN08DLC	LR18XBF05DLC-E2	LR18XBN08DLC-E2

Technical Parameter

Supply voltage	10...30 VDC	10...30 VDC	10...30 VDC	10...30 VDC
Switch point drift	< ±10% Sr	< ±10% Sr	< ±10% Sr	< ±10% Sr
Load current	<100mA	<100mA	<100mA	<100mA
Voltage drop	<6V	<6V	<6V	<6V
Leakage current	<1mA	<1mA	<1mA	<1mA
Hysteresis	1...20%	1...20%	1...20%	1...20%
Repeat accuracy	<3%	<3%	<3%	<3%
Frequency	500Hz	300Hz	500Hz	300Hz
Output indicator	Yellow LED	Yellow LED	Yellow LED	Yellow LED
Polarity protection	yes	yes	yes	yes
Dielectric strength	1000V/AC 50/60Hz 60s	1000V/AC 50/60Hz 60s	1000V/AC 50/60Hz 60s	1000V/AC 50/60Hz 60s
Short-circuit protection	yes	yes	yes	yes
Ambient temperature	-25...+70°C	-25...+70°C	-25...+70°C	-25...+70°C
Ambient moisture	35...95%	35...95%	35...95%	35...95%
Protection degree	IP67	IP67	IP67	IP67
Housing material	Nickel-copper alloy	Nickel-copper alloy	Nickel-copper alloy	Nickel-copper alloy
Connection	2m PVC Cable	2m PVC Cable	M12 Connector	M12 Connector
Certification	CE U _L	CE U _L	CE U _L	CE U _L

* Cable material and length can be customized



Item Code	LR30X		LR30X	
Mounting	● Flush	◐ Non-flush	● Flush	◐ Non-flush
Sensing distance	10mm	15mm	10mm	15mm

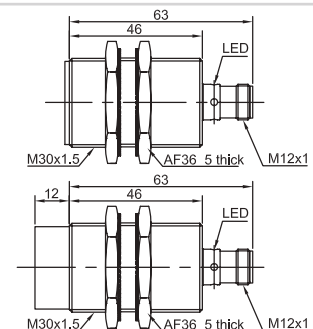
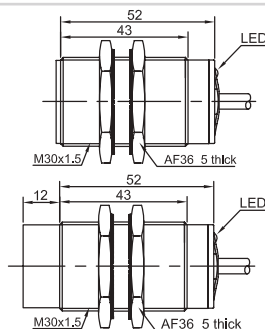


Output	DC 2 Wires NO	LR30XBF10DLO	LR30XBN15DLO	LR30XBF10DLO-E2	LR30XBN15DLO-E2
	DC 2 Wires NC		LR30XBF10DLC	LR30XBN15DLC	LR30XBF10DLC-E2

Technical Parameter

Supply voltage	10...30 VDC	10...30 VDC	10...30 VDC	10...30 VDC
Switch point drift	< ±10% Sr	< ±10% Sr	< ±10% Sr	< ±10% Sr
Load current	<100mA	<100mA	<100mA	<100mA
Voltage drop	<6V	<6V	<6V	<6V
Leakage current	<1mA	<1mA	<1mA	<1mA
Hysteresis	1...20%	1...20%	1...20%	1...20%
Repeat accuracy	<3%	<3%	<3%	<3%
Frequency	300Hz	200Hz	300Hz	200Hz
Output indicator	Yellow LED	Yellow LED	Yellow LED	Yellow LED
Polarity protection	yes	yes	yes	yes
Dielectric strength	1000V/AC 50/60Hz 60s	1000V/AC 50/60Hz 60s	1000V/AC 50/60Hz 60s	1000V/AC 50/60Hz 60s
Short-circuit protection	yes	yes	yes	yes
Ambient temperature	-25...+70°C	-25...+70°C	-25...+70°C	-25...+70°C
Ambient moisture	35...95%	35...95%	35...95%	35...95%
Protection degree	IP67	IP67	IP67	IP67
Housing material	Nickel-copper alloy	Nickel-copper alloy	Nickel-copper alloy	Nickel-copper alloy
Connection	2m PVC Cable	2m PVC Cable	M12 Connector	M12 Connector
Certification	CE U _L	CE U _L	CE U _L	CE U _L

* Cable material and length can be customized



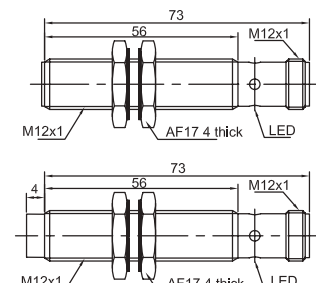
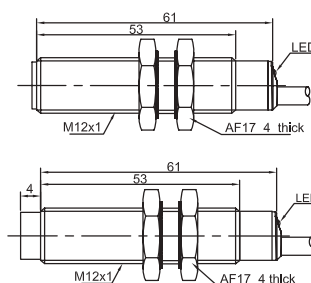
Item Code	LR12X		LR12X	
Mounting	● Flush	◐ Non-flush	● Flush	◐ Non-flush
Sensing distance	2mm	4mm	2mm	4mm



Output	AC 2 Wires NO	LR12XCF02ATO	LR12XCN04ATO	LR12XCF02ATO-E2	LR12XCN04ATO-E2
	AC 2 Wires NC	LR12XCF02ATC	LR12XCN04ATC	LR12XCF02ATC-E2	LR12XCN04ATC-E2

Technical Parameter				
Supply voltage	20...250 VAC	20...250 VAC	20...250 VAC	20...250 VAC
Switch point drift	< ±10% Sr	< ±10% Sr	< ±10% Sr	< ±10% Sr
Load current	<200mA	<200mA	<200mA	<200mA
Voltage drop	<10V	<10V	<10V	<10V
Leakage current	<3mA	<3mA	<3mA	<3mA
Hysteresis	1...20%	1...20%	1...20%	1...20%
Repeat accuracy	<3%	<3%	<3%	<3%
Frequency	20Hz	20Hz	20Hz	20Hz
Output indicator	Yellow LED	Yellow LED	Yellow LED	Yellow LED
Polarity protection
Dielectric strength	2000V/AC 50/60Hz 60s	2000V/AC 50/60Hz 60s	2000V/AC 50/60Hz 60s	2000V/AC 50/60Hz 60s
Short-circuit protection
Ambient temperature	-25...+70°C	-25...+70°C	-25...+70°C	-25...+70°C
Ambient moisture	35...95%	35...95%	35...95%	35...95%
Protection degree	IP67	IP67	IP67	IP67
Housing material	Nickel-copper alloy	Nickel-copper alloy	Nickel-copper alloy	Nickel-copper alloy
Connection	2m PVC Cable	2m PVC Cable	M12 Connector	M12 Connector
Certification	CE U _L	CE U _L	CE U _L	CE U _L

* Cable material and length can be customized



Item Code	LR18X		LR18X	
Mounting	● Flush	◐ Non-flush	● Flush	◐ Non-flush
Sensing distance	5mm	8mm	5mm	8mm

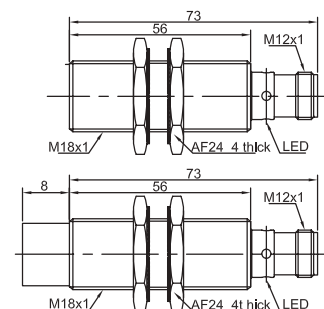
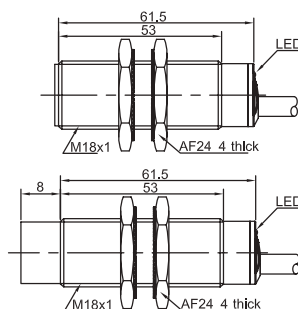


Output	AC 2 Wires NO	LR18XCF05ATO	LR18XCN08ATO	LR18XCF05ATO-E2	LR18XCN08ATO-E2
	AC 2 Wires NC	LR18XCF05ATC	LR18XCN08ATC	LR18XCF05ATC-E2	LR18XCN08ATC-E2

Technical Parameter

Supply voltage	20...250 VAC	20...250 VAC	20...250 VAC	20...250 VAC
Switch point drift	< ±10% Sr	< ±10% Sr	< ±10% Sr	< ±10% Sr
Load current	<300mA	<300mA	<300mA	<300mA
Voltage drop	<10V	<10V	<10V	<10V
Leakage current	<3mA	<3mA	<3mA	<3mA
Hysteresis	1...20%	1...20%	1...20%	1...20%
Repeat accuracy	<3%	<3%	<3%	<3%
Frequency	20Hz	20Hz	20Hz	20Hz
Output indicator	Yellow LED	Yellow LED	Yellow LED	Yellow LED
Polarity protection
Dielectric strength	2000V/AC 50/60Hz 60s	2000V/AC 50/60Hz 60s	2000V/AC 50/60Hz 60s	2000V/AC 50/60Hz 60s
Short-circuit protection
Ambient temperature	-25...+70°C	-25...+70°C	-25...+70°C	-25...+70°C
Ambient moisture	35...95%	35...95%	35...95%	35...95%
Protection degree	IP67	IP67	IP67	IP67
Housing material	Nickel-copper alloy	Nickel-copper alloy	Nickel-copper alloy	Nickel-copper alloy
Connection	2m PVC Cable	2m PVC Cable	M12 Connector	M12 Connector
Certification	CE U _L	CE U _L	CE U _L	CE U _L

* Cable material and length can be customized



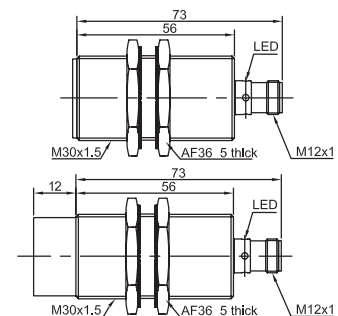
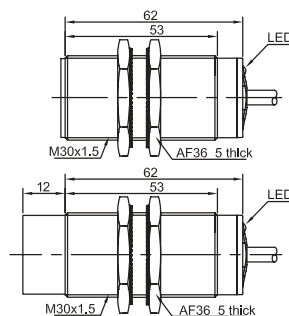
Item Code	LR30X		LR30X	
Mounting	● Flush	◐ Non-flush	● Flush	◐ Non-flush
Sensing distance	10mm	15mm	10mm	15mm



Output	AC 2 Wires NO	LR30XCF10ATO	LR30XCN15ATO	LR30XCF10ATO-E2	LR30XCN15ATO-E2
	AC 2 Wires NC	LR30XCF10ATC	LR30XCN15ATC	LR30XCF10ATC-E2	LR30XCN15ATC-E2

Technical Parameter				
Supply voltage	20...250 VAC	20...250 VAC	20...250 VAC	20...250 VAC
Switch point drift	< ±10% Sr	< ±10% Sr	< ±10% Sr	< ±10% Sr
Load current	<300mA	<300mA	<300mA	<300mA
Voltage drop	<10V	<10V	<10V	<10V
Leakage current	<3mA	<3mA	<3mA	<3mA
Hysteresis	1...20%	1...20%	1...20%	1...20%
Repeat accuracy	<3%	<3%	<3%	<3%
Frequency	20Hz	20Hz	20Hz	20Hz
Output indicator	Yellow LED	Yellow LED	Yellow LED	Yellow LED
Polarity protection
Dielectric strength	2000V/AC 50/60Hz 60s	2000V/AC 50/60Hz 60s	2000V/AC 50/60Hz 60s	2000V/AC 50/60Hz 60s
Short-circuit protection
Ambient temperature	-25...+70°C	-25...+70°C	-25...+70°C	-25...+70°C
Ambient moisture	35...95%	35...95%	35...95%	35...95%
Protection degree	IP67	IP67	IP67	IP67
Housing material	Nickel-copper alloy	Nickel-copper alloy	Nickel-copper alloy	Nickel-copper alloy
Connection	2m PVC Cable	2m PVC Cable	M12 Connector	M12 Connector
Certification	CE U _L	CE U _L	CE U _L	CE U _L

* Cable material and length can be customized



Item Code	LR18X		LR18X	
Mounting	● Flush	◐ Non-flush	● Flush	◐ Non-flush
Sensing distance	5mm	8mm	5mm	8mm

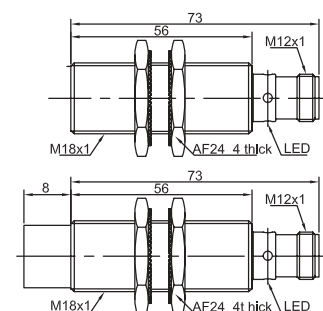
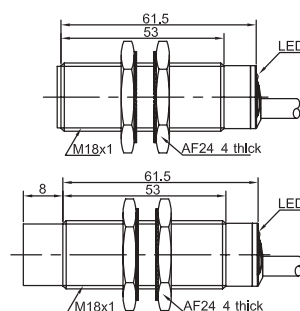


Output	DC/AC 2 Wires NO	LR18XCF05SBO	LR18XCN08SBO	LR18XCF05SBO-E2	LR18XCN08SBO-E2
	DC/AC 2 Wires NC	LR18XCF05SBC	LR18XCN08SBC	LR18XCF05SBC-E2	LR18XCN08SBC-E2

Technical Parameter

Supply voltage	20-250VAC/DC		20-250VAC/DC	
Switch point drift	$\pm 10\%$ Sr		$\pm 10\%$ Sr	
Load current	AC: <300mA, DC: <100mA		AC: <300mA, DC: <100mA	
Voltage drop	AC:<10V, DC:<8V		AC:<10V, DC:<8V	
Leakage current	AC: <3mA, DC: <1mA		AC: <3mA, DC: <1mA	
Hysteresis	1...20%		1...20%	
Repeat accuracy	<3%		<3%	
Frequency	AC: 20Hz, DC: 500Hz		AC: 20Hz, DC: 500Hz	
Output indicator	Yellow LED	Yellow LED	Yellow LED	Yellow LED
Polarity protection
Dielectric strength	2000V/AC 50/60Hz 60s	2000V/AC 50/60Hz 60s	2000V/AC 50/60Hz 60s	2000V/AC 50/60Hz 60s
Short-circuit protection
Ambient temperature	-25...+70°C	-25...+70°C	-25...+70°C	-25...+70°C
Ambient moisture	35...95%	35...95%	35...95%	35...95%
Protection degree	IP67	IP67	IP67	IP67
Housing material	Nickel-copper alloy	Nickel-copper alloy	Nickel-copper alloy	Nickel-copper alloy
Connection	2m PVC Cable	2m PVC Cable	M12 Connector	M12 Connector
Certification	CE	CE	CE	CE

* Cable material and length can be customized



Item Code	LR30X		LR30X	
Mounting	● Flush	◐ Non-flush	● Flush	◐ Non-flush
Sensing distance	10mm	15mm	10mm	15mm

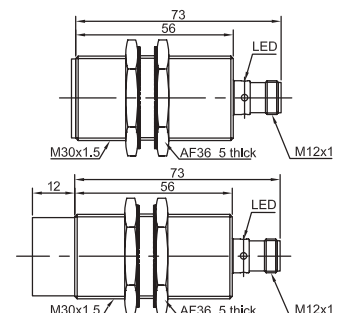
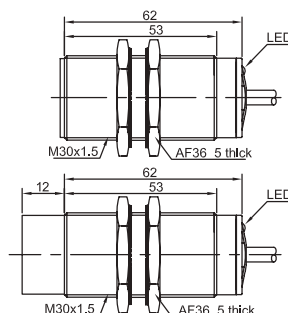


Output	DC/AC 2 Wires NO	LR30XCF10SBO	LR30XCN15SBO	LR30XCF10SBO-E2	LR30XCN15SBO-E2
	DC/AC 2 Wires NC	LR30XCF10SBC	LR30XCN15SBC	LR30XCF10SBC-E2	LR30XCN15SBC-E2

Technical Parameter

Supply voltage	20-250VAC/DC		20-250VAC/DC	
Switch point drift	$\leq \pm 10\%$ Sr		$\leq \pm 10\%$ Sr	
Load current	AC: <300mA, DC: <100mA		AC: <300mA, DC: <100mA	
Voltage drop	AC:<10V, DC:<8V		AC:<10V, DC:<8V	
Leakage current	AC: <3mA, DC: <1mA		AC: <3mA, DC: <1mA	
Hysteresis	1...20%		1...20%	
Repeat accuracy	<3%		<3%	
Frequency	AC: 20Hz, DC: 500Hz		AC: 20Hz, DC: 500Hz	
Output indicator	Yellow LED	Yellow LED	Yellow LED	Yellow LED
Polarity protection
Dielectric strength	2000V/AC 50/60Hz 60s	2000V/AC 50/60Hz 60s	2000V/AC 50/60Hz 60s	2000V/AC 50/60Hz 60s
Short-circuit protection
Ambient temperature	-25...+70°C		-25...+70°C	
Ambient moisture	35...95%		35...95%	
Protection degree	IP67	IP67	IP67	IP67
Housing material	Nickel-copper alloy	Nickel-copper alloy	Nickel-copper alloy	Nickel-copper alloy
Connection	2m PVC Cable	2m PVC Cable	M12 Connector	M12 Connector
Certification	CE	CE	CE	CE

* Cable material and length can be customized



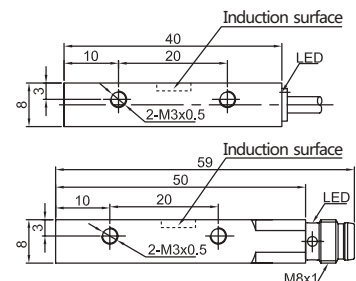
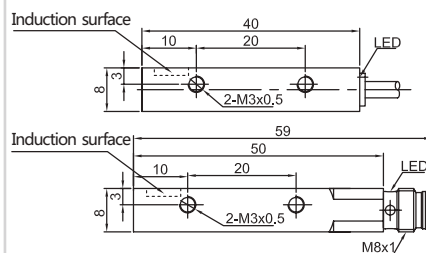
Item Code	LE81		LE82	
Mounting	● Flush	● Flush	● Flush	● Flush
Sensing distance	1.5mm	1.5mm	1.5mm	1.5mm



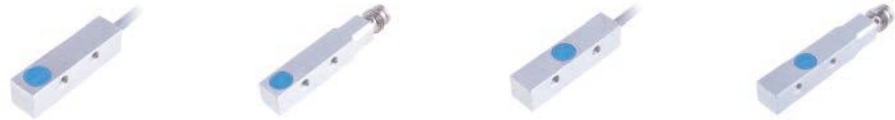
Output	NPN NO	LE81VF15DNO	LE81VF15DNO-E1	LE82VF15DNO	LE82VF15DNO-E1
	NPN NC	LE81VF15DNC	LE81VF15DNC-E1	LE82VF15DNC	LE82VF15DNC-E1
Output	PNP NO	LE81VF15DPO	LE81VF15DPO-E1	LE82VF15DPO	LE82VF15DPO-E1
	PNP NC	LE81VF15DPC	LE81VF15DPC-E1	LE82VF15DPC	LE82VF15DPC-E1

Technical Parameter				
Supply voltage	10...30 VDC	10...30 VDC	10...30 VDC	10...30 VDC
Switch point drift	< ±10% Sr	< ±10% Sr	< ±10% Sr	< ±10% Sr
Load current	<100mA	<100mA	<100mA	<100mA
Voltage drop	< 2.5V	< 2.5V	< 2.5V	< 2.5V
Consumption current	<10mA	<10mA	<10mA	<10mA
Hysteresis	1...20%	1...20%	1...20%	1...20%
Repeat accuracy	<3%	<3%	<3%	<3%
Frequency	2000Hz	2000Hz	2000Hz	2000Hz
Output indicator	Yellow LED	Yellow LED	Yellow LED	Yellow LED
Polarity protection	yes	yes	yes	yes
Dielectric strength	1000V/AC 50/60Hz 60s	1000V/AC 50/60Hz 60s	1000V/AC 50/60Hz 60s	1000V/AC 50/60Hz 60s
Short-circuit protection
Ambient temperature	-25...+70°C	-25...+70°C	-25...+70°C	-25...+70°C
Ambient moisture	35...95%	35...95%	35...95%	35...95%
Protection degree	IP67	IP67	IP67	IP67
Housing material	Aluminum alloy	Aluminum alloy	Aluminum alloy	Aluminum alloy
Connection	2m PVC Cable	M8 Connector	2m PVC Cable	M8 Connector
Certification	CE	CE	CE	CE

* Cable material and length can be customized



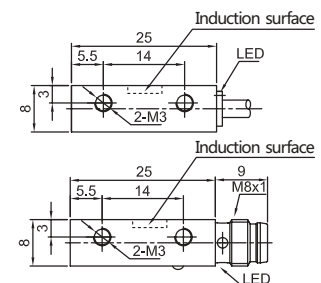
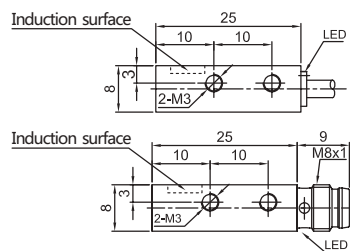
Item Code	LE83		LE84	
Mounting	● Flush	● Flush	● Flush	● Flush
Sensing distance	1.5mm	1.5mm	1.5mm	1.5mm



Output	NPN NO	LE83VF15DNO	LE83VF15DNO-E1	LE84VF15DNO	LE84VF15DNO-E1
	NPN NC	LE83VF15DNC	LE83VF15DNC-E1	LE84VF15DNC	LE84VF15DNC-E1
Output	PNP NO	LE83VF15DPO	LE83VF15DPO-E1	LE84VF15DPO	LE84VF15DPO-E1
	PNP NC	LE83VF15DPC	LE83VF15DPC-E1	LE84VF15DPC	LE84VF15DPC-E1

Technical Parameter				
Supply voltage	10...30 VDC	10...30 VDC	10...30 VDC	10...30 VDC
Switch point drift	< ±10% Sr	< ±10% Sr	< ±10% Sr	< ±10% Sr
Load current	<100mA	<100mA	<100mA	<100mA
Voltage drop	< 2.5V	< 2.5V	< 2.5V	< 2.5V
Consumption current	<10mA	<10mA	<10mA	<10mA
Hysteresis	1...20%	1...20%	1...20%	1...20%
Repeat accuracy	<3%	<3%	<3%	<3%
Frequency	2000Hz	2000Hz	2000Hz	2000Hz
Output indicator	Yellow LED	Yellow LED	Yellow LED	Yellow LED
Polarity protection	yes	yes	yes	yes
Dielectric strength	1000V/AC 50/60Hz 60s	1000V/AC 50/60Hz 60s	1000V/AC 50/60Hz 60s	1000V/AC 50/60Hz 60s
Short-circuit protection
Ambient temperature	-25...+70°C	-25...+70°C	-25...+70°C	-25...+70°C
Ambient moisture	35...95%	35...95%	35...95%	35...95%
Protection degree	IP67	IP67	IP67	IP67
Housing material	Aluminum alloy	Aluminum alloy	Aluminum alloy	Aluminum alloy
Connection	2m PVC Cable	M8 Connector	2m PVC Cable	M8 Connector
Certification	CE	CE	CE	CE

* Cable material and length can be customized



Item Code	LE08	LE08X
Mounting	● Non-flush	● Non-flush
Sensing distance	2.5mm	2.5mm

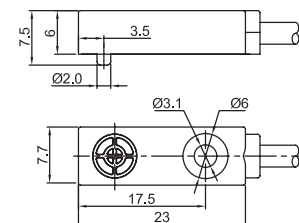
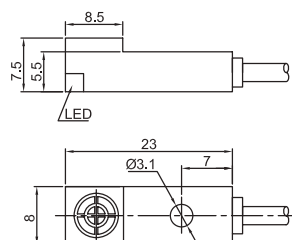


Output	NPN NO	LE08SN25DNO	LE08XSN25DNO
	NPN NC	LE08SN25DNC	LE08XSN25DNC
Output	PNP NO	LE08SN25DPO	LE08XSN25DPO
	PNP NC	LE08SN25DPC	LE08XSN25DPC

Technical Parameter

Supply voltage	10...30 VDC	10...30 VDC
Switch point drift	< ±10% Sr	< ±10% Sr
Load current	<100mA	<100mA
Voltage drop	< 2.5V	< 2.5V
Consumption current	<10mA	<10mA
Hysteresis	1...20%	1...20%
Repeat accuracy	<3%	<3%
Frequency	1000Hz	1000Hz
Output indicator	Red LED	Red LED
Polarity protection	yes	yes
Dielectric strength	1000V/AC 50/60Hz 60s	1000V/AC 50/60Hz 60s
Short-circuit protection
Ambient temperature	-25...+70°C	-25...+70°C
Ambient moisture	35...95%	35...95%
Protection degree	IP67	IP67
Housing material	PC	PC
Connection	2m PVC Cable	2m PVC Cable
Certification	CE	CE

* Cable material and length can be customized



Item Code	LE09	LE11
Mounting	● Non-flush	● Non-flush
Sensing distance	2.5 mm	3 mm

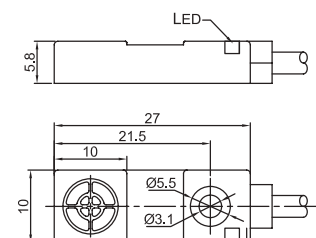
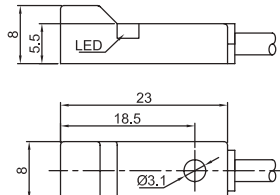


Output	NPN NO	LE09SN25DNO	LE11SN03DNO
	NPN NC	LE09SN25DNC	LE11SN03DNC
Output	PNP NO	LE09SN25DPO	LE11SN03DPO
	PNP NC	LE09SN25DPC	LE11SN03DPC

Technical Parameter

Supply voltage	10...30 VDC	10...30 VDC
Switch point drift	< ±10% Sr	< ±10% Sr
Load current	<100mA	<100mA
Voltage drop	< 2.5V	< 2.5V
Consumption current	<10mA	<10mA
Hysteresis	1...20%	1...20%
Repeat accuracy	<3%	<3%
Frequency	1000Hz	1000Hz
Output indicator	Red LED	Red LED
Polarity protection	yes	yes
Dielectric strength	1000V/AC 50/60Hz 60s	1000V/AC 50/60Hz 60s
Short-circuit protection
Ambient temperature	-25...+70°C	-25...+70°C
Ambient moisture	35...95%	35...95%
Protection degree	IP67	IP67
Housing material	PC	PC
Connection	2m PVC Cable	2m PVC Cable
Certification	CE	CE

* Cable material and length can be customized



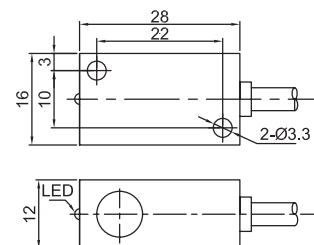
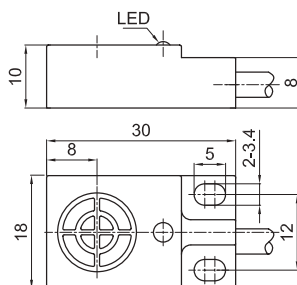
Item Code	LE10		LE16	
Mounting	● Flush	◐ Non-flush	● Flush	◐ Non-flush
Sensing distance	5mm	8mm	2mm	4mm



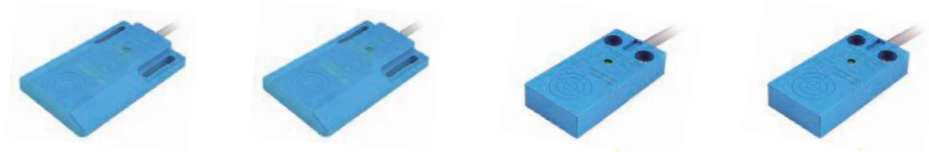
Output	NPN NO	LE10SF05DNO	LE10SN08DNO	LE16SF02DNO	LE16SN04DNO
	NPN NC	LE10SF05DNC	LE10SN08DNC	LE16SF02DNC	LE16SN04DNC
Output	PNP NO	LE10SF05DPO	LE10SN08DPO	LE16SF02DPO	LE16SN04DPO
	PNP NC	LE10SF05DPC	LE10SN08DPC	LE16SF02DPC	LE16SN04DPC

Technical Parameter				
Supply voltage	10...30 VDC	10...30 VDC	10...30 VDC	10...30 VDC
Switch point drift	< ±10% Sr	< ±10% Sr	< ±10% Sr	< ±10% Sr
Load current	<100mA	<100mA	<200mA	<200mA
Voltage drop	< 2.5V	< 2.5V	< 2.5V	< 2.5V
Consumption current	<10mA	<10mA	<10mA	<10mA
Hysteresis	1...20%	1...20%	1...20%	1...20%
Repeat accuracy	<3%	<3%	<3%	<3%
Frequency	1000Hz	800Hz	1000Hz	800Hz
Output indicator	Yellow LED	Yellow LED	Yellow LED	Yellow LED
Polarity protection	yes	yes	yes	yes
Dielectric strength	1000V/AC 50/60Hz 60s	1000V/AC 50/60Hz 60s	1000V/AC 50/60Hz 60s	1000V/AC 50/60Hz 60s
Short-circuit protection	yes	yes	yes	yes
Ambient temperature	-25...+70°C	-25...+70°C	-25...+70°C	-25...+70°C
Ambient moisture	35...95%	35...95%	35...95%	35...95%
Protection degree	IP67	IP67	IP67	IP67
Housing material	PBT	PBT	PBT	PBT
Connection	2m PVC Cable	2m PVC Cable	2m PVC Cable	2m PVC Cable
Certification	CE	CE	CE	CE

* Cable material and length can be customized



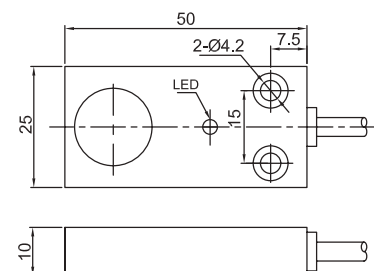
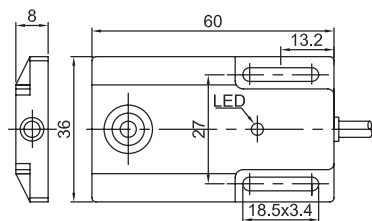
Item Code	LE36		LE50	
Mounting	● Flush	◐ Non-flush	● Flush	◐ Non-flush
Sensing distance	5mm	8mm	5mm	8mm



Output	NPN NO	LE36SF05DNO	LE36SN08DNO	LE50SF05DNO	LE50SN08DNO
	NPN NC	LE36SF05DNC	LE36SN08DNC	LE50SF05DNC	LE50SN08DNC
Output	PNP NO	LE36SF05DPO	LE36SN08DPO	LE50SF05DPO	LE50SN08DPO
	PNP NC	LE36SF05DPC	LE36SN08DPC	LE50SF05DPC	LE50SN08DPC

Technical Parameter				
Supply voltage	10...30 VDC	10...30 VDC	10...30 VDC	10...30 VDC
Switch point drift	< ±10% Sr	< ±10% Sr	< ±10% Sr	< ±10% Sr
Load current	<200mA	<200mA	<200mA	<200mA
Voltage drop	< 2.5V	< 2.5V	< 2.5V	< 2.5V
Consumption current	<10mA	<10mA	<10mA	<10mA
Hysteresis	1...20%	1...20%	1...20%	1...20%
Repeat accuracy	<3%	<3%	<3%	<3%
Frequency	700Hz	500Hz	700Hz	500Hz
Output indicator	Yellow LED	Yellow LED	Yellow LED	Yellow LED
Polarity protection	yes	yes	yes	yes
Dielectric strength	1000V/AC 50/60Hz 60s	1000V/AC 50/60Hz 60s	1000V/AC 50/60Hz 60s	1000V/AC 50/60Hz 60s
Short-circuit protection	yes	yes	yes	yes
Ambient temperature	-25...+70°C	-25...+70°C	-25...+70°C	-25...+70°C
Ambient moisture	35...95%	35...95%	35...95%	35...95%
Protection degree	IP67	IP67	IP67	IP67
Housing material	PBT	PBT	PBT	PBT
Connection	2m PVC Cable	2m PVC Cable	2m PVC Cable	2m PVC Cable
Certification	CE	CE	CE	CE

* Cable material and length can be customized



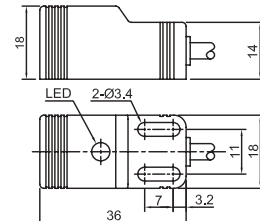
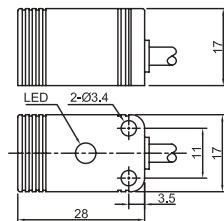
Item Code	LE17		LE18	
Mounting	● Flush	◐ Non-flush	● Flush	◐ Non-flush
Sensing distance	5mm	8mm	5mm	8mm



Output	NPN NO	LE17SF05DNO	LE17SN08DNO	LE18SF05DNO	LE18SN08DNO
	NPN NC	LE17SF05DNC	LE17SN08DNC	LE18SF05DNC	LE18SN08DNC
Output	PNP NO	LE17SF05DPO	LE17SN08DPO	LE18SF05DPO	LE18SN08DPO
	PNP NC	LE17SF05DPC	LE17SN08DPC	LE18SF05DPC	LE18SN08DPC

Technical Parameter				
Supply voltage	10...30 VDC	10...30 VDC	10...30 VDC	10...30 VDC
Switch point drift	< ±10% Sr	< ±10% Sr	< ±10% Sr	< ±10% Sr
Load current	<100mA	<100mA	<100mA	<100mA
Voltage drop	< 2.5V	< 2.5V	< 2.5V	< 2.5V
Consumption current	<10mA	<10mA	<10mA	<10mA
Hysteresis	1...20%	1...20%	1...20%	1...20%
Repeat accuracy	<3%	<3%	<3%	<3%
Frequency	700Hz	500Hz	700Hz	500Hz
Output indicator	Yellow LED	Yellow LED	Yellow LED	Yellow LED
Polarity protection	yes	yes	yes	yes
Dielectric strength	1000V/AC 50/60Hz 60s	1000V/AC 50/60Hz 60s	1000V/AC 50/60Hz 60s	1000V/AC 50/60Hz 60s
Short-circuit protection	yes	yes	yes	yes
Ambient temperature	-25...+70°C	-25...+70°C	-25...+70°C	-25...+70°C
Ambient moisture	35...95%	35...95%	35...95%	35...95%
Protection degree	IP67	IP67	IP67	IP67
Housing material	PBT	PBT	PBT	PBT
Connection	2m PVC Cable	2m PVC Cable	2m PVC Cable	2m PVC Cable
Certification	CE	CE	CE	CE

* Cable material and length can be customized



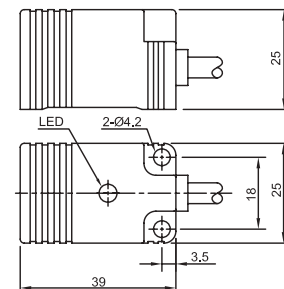
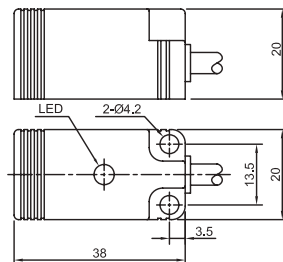
Item Code	LE20		LE25	
Mounting	● Flush	◐ Non-flush	● Flush	◐ Non-flush
Sensing distance	5mm	8mm	7mm	10mm



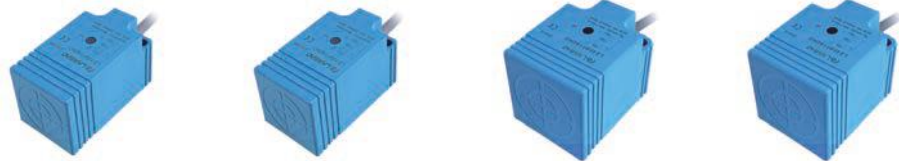
Output	NPN NO	LE20SF05DNO	LE20SN08DNO	LE25SF07DNO	LE25SN10DNO
	NPN NC	LE20SF05DNC	LE20SN08DNC	LE25SF07DNC	LE25SN10DNC
Output	PNP NO	LE20SF05DPO	LE20SN08DPO	LE25SF07DPO	LE25SN10DPO
	PNP NC	LE20SF05DPC	LE20SN08DPC	LE25SF07DPC	LE25SN10DPC

Technical Parameter				
Supply voltage	10...30 VDC	10...30 VDC	10...30 VDC	10...30 VDC
Switch point drift	< ±10% Sr	< ±10% Sr	< ±10% Sr	< ±10% Sr
Load current	<100mA	<100mA	<100mA	<100mA
Voltage drop	< 2.5V	< 2.5V	< 2.5V	< 2.5V
Consumption current	<10mA	<10mA	<10mA	<10mA
Hysteresis	1...20%	1...20%	1...20%	1...20%
Repeat accuracy	<3%	<3%	<3%	<3%
Frequency	700Hz	500Hz	700Hz	500Hz
Output indicator	Yellow LED	Yellow LED	Yellow LED	Yellow LED
Polarity protection	yes	yes	yes	yes
Dielectric strength	1000V/AC 50/60Hz 60s	1000V/AC 50/60Hz 60s	1000V/AC 50/60Hz 60s	1000V/AC 50/60Hz 60s
Short-circuit protection	yes	yes	yes	yes
Ambient temperature	-25...+70°C	-25...+70°C	-25...+70°C	-25...+70°C
Ambient moisture	35...95%	35...95%	35...95%	35...95%
Protection degree	IP67	IP67	IP67	IP67
Housing material	PBT	PBT	PBT	PBT
Connection	2m PVC Cable	2m PVC Cable	2m PVC Cable	2m PVC Cable
Certification	CE	CE	CE	CE

* Cable material and length can be customized



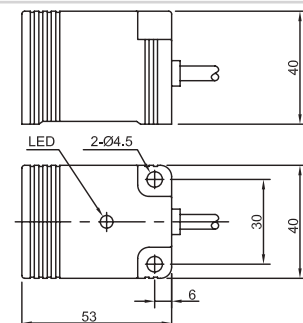
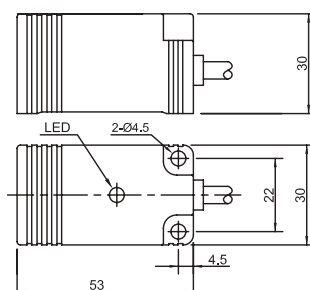
Item Code	LE30		LE40	
Mounting	● Flush	◐ Non-flush	● Flush	◐ Non-flush
Sensing distance	10mm	15mm	15mm	20mm



Output	NPN NO	LE30SF10DNO	LE30SN15DNO	LE40SF15DNO	LE40SN20DNO
	NPN NC	LE30SF10DNC	LE30SN15DNC	LE40SF15DNC	LE40SN20DNC
	NPN NO+NC	LE30SF10DNR	LE30SN15DNR	LE40SF15DNR	LE40SN20DNR
Output	PNP NO	LE30SF10DPO	LE30SN15DPO	LE40SF15DPO	LE40SN20DPO
	PNP NC	LE30SF10DPC	LE30SN15DPC	LE40SF15DPC	LE40SN20DPC
	PNP NO+NC	LE30SF10DPR	LE30SN15DPR	LE40SF15DPR	LE40SN20DPR

Technical Parameter				
Supply voltage	10...30 VDC	10...30 VDC	10...30 VDC	10...30 VDC
Switch point drift	< ±10% Sr	< ±10% Sr	< ±10% Sr	< ±10% Sr
Load current	<200mA	<200mA	<200mA	<200mA
Voltage drop	< 2.5V	< 2.5V	< 2.5V	< 2.5V
Consumption current	<10mA	<10mA	<10mA	<10mA
Hysteresis	1...20%	1...20%	1...20%	1...20%
Repeat accuracy	<3%	<3%	<3%	<3%
Frequency	500Hz	300Hz	400Hz	200Hz
Output indicator	Yellow LED	Yellow LED	Yellow LED	Yellow LED
Polarity protection	yes	yes	yes	yes
Dielectric strength	1000V/AC 50/60Hz 60s	1000V/AC 50/60Hz 60s	1000V/AC 50/60Hz 60s	1000V/AC 50/60Hz 60s
Short-circuit protection	yes	yes	yes	yes
Ambient temperature	-25...+70°C	-25...+70°C	-25...+70°C	-25...+70°C
Ambient moisture	35...95%	35...95%	35...95%	35...95%
Protection degree	IP67	IP67	IP67	IP67
Housing material	PBT	PBT	PBT	PBT
Connection	2m PVC Cable	2m PVC Cable	2m PVC Cable	2m PVC Cable
Certification	CE	CE	CE	CE

* Cable material and length can be customized



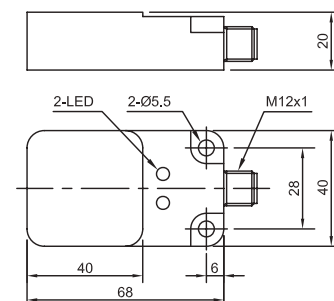
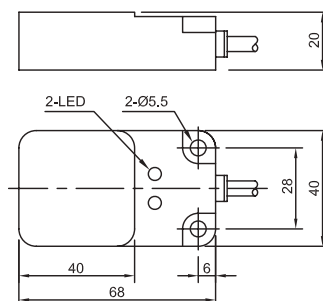
Item Code	LE68		LE68	
Mounting	● Flush	◐ Non-flush	● Flush	◐ Non-flush
Sensing distance	15mm	25mm	15mm	25mm



Output	NPN NO	LE68SF15DNO	LE68SN25DNO	LE68SF15DNO-E2	LE68SN25DNO-E2
	NPN NC	LE68SF15DNC	LE68SN25DNC	LE68SF15DNC-E2	LE68SN25DNC-E2
	NPN NO+NC	LE68SF15DNR	LE68SN25DNR	LE68SF15DNR-E2	LE68SN25DNR-E2
Output	PNP NO	LE68SF15DPO	LE68SN25DPO	LE68SF15DPO-E2	LE68SN25DPO-E2
	PNP NC	LE68SF15DPC	LE68SN25DPC	LE68SF15DPC-E2	LE68SN25DPC-E2
	PNP NO+NC	LE68SF15DPR	LE68SN25DPR	LE68SF15DPR-E2	LE68SN25DPR-E2

Technical Parameter				
Supply voltage	10...30 VDC	10...30 VDC	10...30 VDC	10...30 VDC
Switch point drift	< ±10% Sr	< ±10% Sr	< ±10% Sr	< ±10% Sr
Load current	<200mA	<200mA	<200mA	<200mA
Voltage drop	< 2.5V	< 2.5V	< 2.5V	< 2.5V
Consumption current	<10mA	<10mA	<10mA	<10mA
Hysteresis	1...20%	1...20%	1...20%	1...20%
Repeat accuracy	<3%	<3%	<3%	<3%
Frequency	500Hz	300Hz	500Hz	300Hz
Output indicator	Yellow LED	Yellow LED	Yellow LED	Yellow LED
Polarity protection	yes	yes	yes	yes
Dielectric strength	1000V/AC 50/60Hz 60s	1000V/AC 50/60Hz 60s	1000V/AC 50/60Hz 60s	1000V/AC 50/60Hz 60s
Short-circuit protection	yes	yes	yes	yes
Ambient temperature	-25...+70°C	-25...+70°C	-25...+70°C	-25...+70°C
Ambient moisture	35...95%	35...95%	35...95%	35...95%
Protection degree	IP67	IP67	IP67	IP67
Housing material	PBT	PBT	PBT	PBT
Connection	2m PVC Cable	2m PVC Cable	M12 Connector	M12 Connector
Certification	CE	CE	CE	CE

* Cable material and length can be customized



Item Code	LE17		LE18	
Mounting	● Flush	◐ Non-flush	● Flush	◐ Non-flush
Sensing distance	5mm	8mm	5mm	8mm

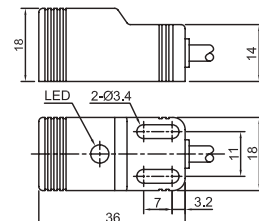
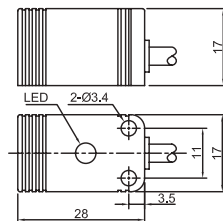


Output	DC 2 Wires NO	LE17SF05DLO	LE17SN08DLO	LE18SF05DLO	LE18SN08DLO
	DC 2 Wires NC	LE17SF05DLC	LE17SN08DLC	LE18SF05DLC	LE18SN08DLC

Technical Parameter

Supply voltage	10...30 VDC	10...30 VDC	10...30 VDC	10...30 VDC
Switch point drift	< ±10% Sr	< ±10% Sr	< ±10% Sr	< ±10% Sr
Load current	<100mA	<100mA	<100mA	<100mA
Voltage drop	<8V	<8V	<8V	<8V
Leakage current	<1mA	<1mA	<1mA	<1mA
Hysteresis	1...20%	1...20%	1...20%	1...20%
Repeat accuracy	<3%	<3%	<3%	<3%
Frequency	500Hz	300Hz	500Hz	300Hz
Output indicator	Yellow LED	Yellow LED	Yellow LED	Yellow LED
Polarity protection	yes	yes	yes	yes
Dielectric strength	1000V/AC 50/60Hz 60s	1000V/AC 50/60Hz 60s	1000V/AC 50/60Hz 60s	1000V/AC 50/60Hz 60s
Short-circuit protection	yes	yes	yes	yes
Ambient temperature	-25...+70°C	-25...+70°C	-25...+70°C	-25...+70°C
Ambient moisture	35...95%	35...95%	35...95%	35...95%
Protection degree	IP67	IP67	IP67	IP67
Housing material	PBT	PBT	PBT	PBT
Connection	2m PVC Cable	2m PVC Cable	2m PVC Cable	2m PVC Cable
Certification	CE	CE	CE	CE

* Cable material and length can be customized



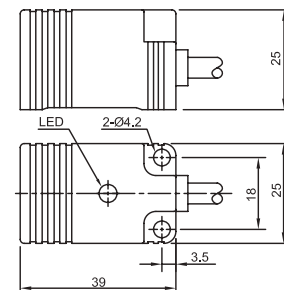
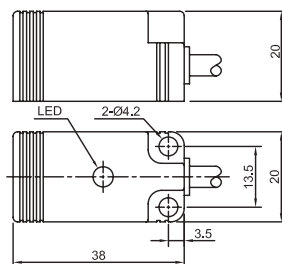
Item Code	LE20		LE25	
Mounting	● Flush	◐ Non-flush	● Flush	◐ Non-flush
Sensing distance	5mm	8mm	7mm	10mm



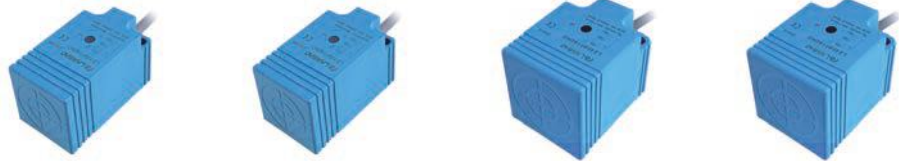
Output	DC 2 Wires NO	LE20SF05DLO	LE20SN08DLO	LE25SF07DLO	LE25SN10DLO
	DC 2 Wires NC	LE20SF05DLC	LE20SN08DLC	LE25SF07DLC	LE25SN10DLC

Technical Parameter				
Supply voltage	10...30 VDC	10...30 VDC	10...30 VDC	10...30 VDC
Switch point drift	< ±10% Sr	< ±10% Sr	< ±10% Sr	< ±10% Sr
Load current	<100mA	<100mA	<100mA	<100mA
Voltage drop	<8V	<8V	<8V	<8V
Leakage current	<1mA	<1mA	<1mA	<1mA
Hysteresis	1...20%	1...20%	1...20%	1...20%
Repeat accuracy	<3%	<3%	<3%	<3%
Frequency	500Hz	300Hz	500Hz	300Hz
Output indicator	Yellow LED	Yellow LED	Yellow LED	Yellow LED
Polarity protection	yes	yes	yes	yes
Dielectric strength	1000V/AC 50/60Hz 60s	1000V/AC 50/60Hz 60s	1000V/AC 50/60Hz 60s	1000V/AC 50/60Hz 60s
Short-circuit protection	yes	yes	yes	yes
Ambient temperature	-25...+70°C	-25...+70°C	-25...+70°C	-25...+70°C
Ambient moisture	35...95%	35...95%	35...95%	35...95%
Protection degree	IP67	IP67	IP67	IP67
Housing material	PBT	PBT	PBT	PBT
Connection	2m PVC Cable	2m PVC Cable	2m PVC Cable	2m PVC Cable
Certification	CE	CE	CE	CE

* Cable material and length can be customized



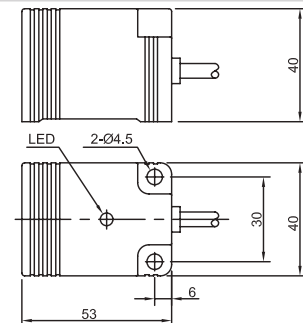
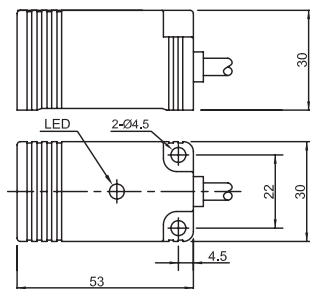
Item Code	LE30		LE40	
Mounting	● Flush	◐ Non-flush	● Flush	◐ Non-flush
Sensing distance	10mm	15mm	15mm	20mm



Output	DC 2 Wires NO	LE30SF10DLO	LE30SN15DLO	LE40SF15DLO	LE40SN20DLO
	DC 2 Wires NC	LE30SF10DLC	LE30SN15DLC	LE40SF15DLC	LE40SN20DLC

Technical Parameter				
Supply voltage	10...30 VDC	10...30 VDC	10...30 VDC	10...30 VDC
Switch point drift	< ±10% Sr	< ±10% Sr	< ±10% Sr	< ±10% Sr
Load current	<100mA	<100mA	<100mA	<100mA
Voltage drop	<6V	<6V	<6V	<6V
Leakage current	<1mA	<1mA	<1mA	<1mA
Hysteresis	1...20%	1...20%	1...20%	1...20%
Repeat accuracy	<3%	<3%	<3%	<3%
Frequency	500Hz	300Hz	500Hz	300Hz
Output indicator	Yellow LED	Yellow LED	Yellow LED	Yellow LED
Polarity protection	yes	yes	yes	yes
Dielectric strength	1000V/AC 50/60Hz 60s	1000V/AC 50/60Hz 60s	1000V/AC 50/60Hz 60s	1000V/AC 50/60Hz 60s
Short-circuit protection	yes	yes	yes	yes
Ambient temperature	-25...+70°C	-25...+70°C	-25...+70°C	-25...+70°C
Ambient moisture	35...95%	35...95%	35...95%	35...95%
Protection degree	IP67	IP67	IP67	IP67
Housing material	PBT	PBT	PBT	PBT
Connection	2m PVC Cable	2m PVC Cable	2m PVC Cable	2m PVC Cable
Certification	CE	CE	CE	CE

* Cable material and length can be customized



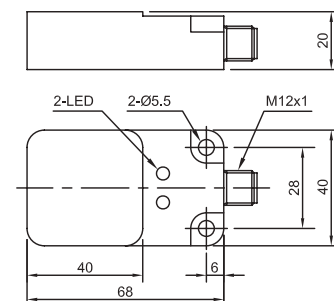
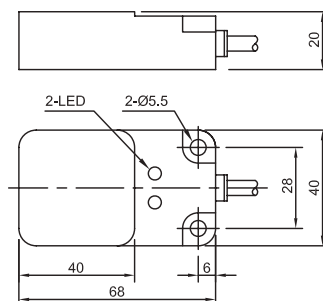
Item Code	LE68		LE68	
Mounting	● Flush	◐ Non-flush	● Flush	◐ Non-flush
Sensing distance	15mm	25mm	15mm	25mm



Output	DC 2 Wires NO	LE68SF15DLO	LE68SN25DLO	LE68SF15DLO-E2	LE68SN25DLO-E2
	DC 2 Wires NC	LE68SF15DLC	LE68SN25DLC	LE68SF15DLC-E2	LE68SN25DLC-E2

Technical Parameter				
Supply voltage	10...30 VDC	10...30 VDC	10...30 VDC	10...30 VDC
Switch point drift	< ±10% Sr	< ±10% Sr	< ±10% Sr	< ±10% Sr
Load current	<100mA	<100mA	<100mA	<100mA
Voltage drop	<6V	<6V	<6V	<6V
Leakage current	<1mA	<1mA	<1mA	<1mA
Hysteresis	1...20%	1...20%	1...20%	1...20%
Repeat accuracy	<3%	<3%	<3%	<3%
Frequency	500Hz	300Hz	500Hz	300Hz
Output indicator	Yellow LED	Yellow LED	Yellow LED	Yellow LED
Polarity protection	yes	yes	yes	yes
Dielectric strength	1000V/AC 50/60Hz 60s	1000V/AC 50/60Hz 60s	1000V/AC 50/60Hz 60s	1000V/AC 50/60Hz 60s
Short-circuit protection	yes	yes	yes	yes
Ambient temperature	-25...+70°C	-25...+70°C	-25...+70°C	-25...+70°C
Ambient moisture	35...95%	35...95%	35...95%	35...95%
Protection degree	IP67	IP67	IP67	IP67
Housing material	PBT	PBT	PBT	PBT
Connection	2m PVC Cable	2m PVC Cable	M12 Connector	M12 Connector
Certification	CE	CE	CE	CE

* Cable material and length can be customized



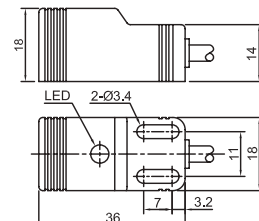
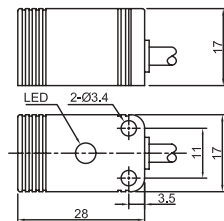
Item Code	LE17		LE18	
Mounting	● Flush	◐ Non-flush	● Flush	◐ Non-flush
Sensing distance	5mm	8mm	5mm	8mm



Output	AC 2 Wires NO	LE17SF05ATO	LE17SN08ATO	LE18SF05ATO	LE18SN08ATO
	AC 2 Wires NC	LE17SF05ATC	LE17SN08ATC	LE18SF05ATC	LE18SN08ATC

Technical Parameter				
Supply voltage	20...250 VAC	20...250 VAC	20...250 VAC	20...250 VAC
Switch point drift	< ±10% Sr	< ±10% Sr	< ±10% Sr	< ±10% Sr
Load current	<200mA	<200mA	<200mA	<200mA
Voltage drop	<10V	<10V	<10V	<10V
Leakage current	<3mA	<3mA	<3mA	<3mA
Hysteresis	1...20%	1...20%	1...20%	1...20%
Repeat accuracy	<3%	<3%	<3%	<3%
Frequency	20Hz	20Hz	20Hz	20Hz
Output indicator	Yellow LED	Yellow LED	Yellow LED	Yellow LED
Polarity protection
Dielectric strength	2000V/AC 50/60Hz 60s	2000V/AC 50/60Hz 60s	2000V/AC 50/60Hz 60s	2000V/AC 50/60Hz 60s
Short-circuit protection
Ambient temperature	-25...+70°C	-25...+70°C	-25...+70°C	-25...+70°C
Ambient moisture	35...95%	35...95%	35...95%	35...95%
Protection degree	IP67	IP67	IP67	IP67
Housing material	PBT	PBT	PBT	PBT
Connection	2m PVC Cable	2m PVC Cable	2m PVC Cable	2m PVC Cable
Certification	CE	CE	CE	CE

* Cable material and length can be customized



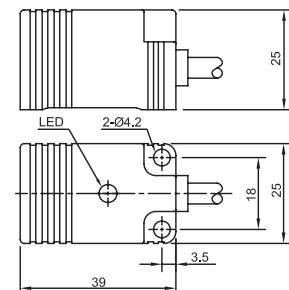
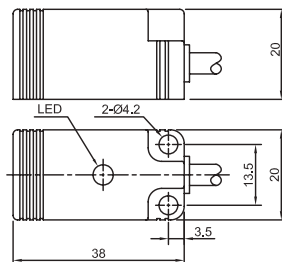
Item Code	LE20		LE25	
Mounting	● Flush	◐ Non-flush	● Flush	◐ Non-flush
Sensing distance	5mm	8mm	7mm	10mm



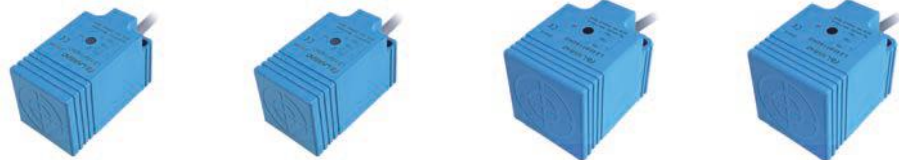
Output	AC 2 Wires NO	LE20SF05ATO	LE20SN08ATO	LE25SF07ATO	LE25SN10ATO
	AC 2 Wires NC	LE20SF05ATC	LE20SN08ATC	LE25SF07ATC	LE25SN10ATC

Technical Parameter				
Supply voltage	20...250 VAC	20...250 VAC	20...250 VAC	20...250 VAC
Switch point drift	< ±10% Sr	< ±10% Sr	< ±10% Sr	< ±10% Sr
Load current	<200mA	<200mA	<200mA	<200mA
Voltage drop	<10V	<10V	<10V	<10V
Leakage current	<3mA	<3mA	<3mA	<3mA
Hysteresis	1...20%	1...20%	1...20%	1...20%
Repeat accuracy	<3%	<3%	<3%	<3%
Frequency	20Hz	20Hz	20Hz	20Hz
Output indicator	Yellow LED	Yellow LED	Yellow LED	Yellow LED
Polarity protection
Dielectric strength	2000V/AC 50/60Hz 60s	2000V/AC 50/60Hz 60s	2000V/AC 50/60Hz 60s	2000V/AC 50/60Hz 60s
Short-circuit protection
Ambient temperature	-25...+70°C	-25...+70°C	-25...+70°C	-25...+70°C
Ambient moisture	35...95%	35...95%	35...95%	35...95%
Protection degree	IP67	IP67	IP67	IP67
Housing material	PBT	PBT	PBT	PBT
Connection	2m PVC Cable	2m PVC Cable	2m PVC Cable	2m PVC Cable
Certification	CE	CE	CE	CE

* Cable material and length can be customized



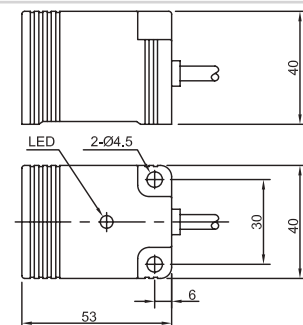
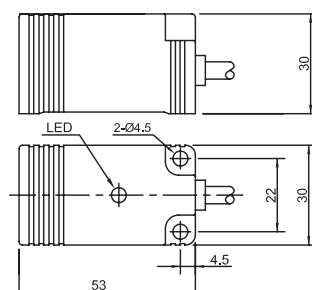
Item Code	LE30		LE40	
Mounting	● Flush	◐ Non-flush	● Flush	◐ Non-flush
Sensing distance	10mm	15mm	15mm	20mm



Output	AC 2 Wires NO	LE30SF10ATO	LE30SN15ATO	LE40SF15ATO	LE40SN20ATO
	AC 2 Wires NC	LE30SF10ATC	LE30SN15ATC	LE40SF15ATC	LE40SN20ATC

Technical Parameter				
Supply voltage	20...250 VAC	20...250 VAC	20...250 VAC	20...250 VAC
Switch point drift	< ±10% Sr	< ±10% Sr	< ±10% Sr	< ±10% Sr
Load current	<300mA	<300mA	<300mA	<300mA
Voltage drop	<10V	<10V	<10V	<10V
Leakage current	<3mA	<3mA	<3mA	<3mA
Hysteresis	1...20%	1...20%	1...20%	1...20%
Repeat accuracy	<3%	<3%	<3%	<3%
Frequency	20Hz	20Hz	20Hz	20Hz
Output indicator	Yellow LED	Yellow LED	Yellow LED	Yellow LED
Polarity protection
Dielectric strength	2000V/AC 50/60Hz 60s	2000V/AC 50/60Hz 60s	2000V/AC 50/60Hz 60s	2000V/AC 50/60Hz 60s
Short-circuit protection
Ambient temperature	-25...+70°C	-25...+70°C	-25...+70°C	-25...+70°C
Ambient moisture	35...95%	35...95%	35...95%	35...95%
Protection degree	IP67	IP67	IP67	IP67
Housing material	PBT	PBT	PBT	PBT
Connection	2m PVC Cable	2m PVC Cable	2m PVC Cable	2m PVC Cable
Certification	CE	CE	CE	CE

* Cable material and length can be customized



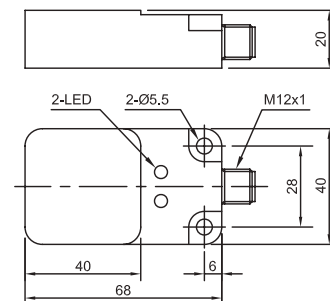
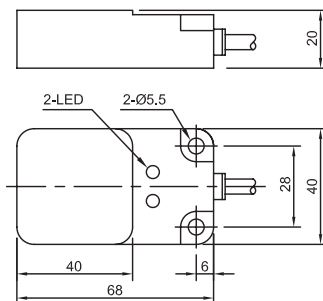
Item Code	LE68		LE68	
Mounting	● Flush	◐ Non-flush	● Flush	◐ Non-flush
Sensing distance	15mm	25mm	15mm	25mm



Output	AC 2 Wires NO	LE68SF15ATO	LE68SN25ATO	LE68SF15ATO-E2	LE68SN25ATO-E2
	AC 2 Wires NC	LE68SF15ATC	LE68SN25ATC	LE68SF15ATC-E2	LE68SN25ATC-E2

Technical Parameter				
Supply voltage	20...250 VAC	20...250 VAC	20...250 VAC	20...250 VAC
Switch point drift	< ±10% Sr	< ±10% Sr	< ±10% Sr	< ±10% Sr
Load current	<300mA	<300mA	<300mA	<300mA
Voltage drop	<10V	<10V	<10V	<10V
Leakage current	<3mA	<3mA	<3mA	<3mA
Hysteresis	1...20%	1...20%	1...20%	1...20%
Repeat accuracy	<3%	<3%	<3%	<3%
Frequency	20Hz	20Hz	20Hz	20Hz
Output indicator	Yellow LED	Yellow LED	Yellow LED	Yellow LED
Polarity protection
Dielectric strength	2000V/AC 50/60Hz 60s	2000V/AC 50/60Hz 60s	2000V/AC 50/60Hz 60s	2000V/AC 50/60Hz 60s
Short-circuit protection
Ambient temperature	-25...+70°C	-25...+70°C	-25...+70°C	-25...+70°C
Ambient moisture	35...95%	35...95%	35...95%	35...95%
Protection degree	IP67	IP67	IP67	IP67
Housing material	PBT	PBT	PBT	PBT
Connection	2m PVC Cable	2m PVC Cable	M12 Connector	M12 Connector
Certification	CE	CE	CE	CE

* Cable material and length can be customized

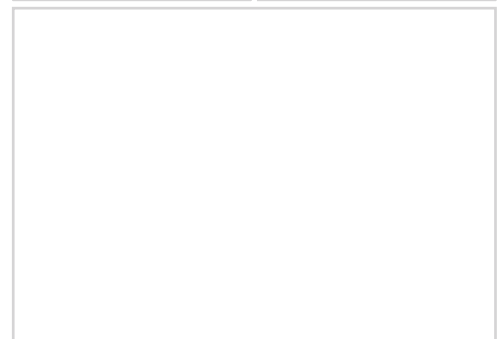
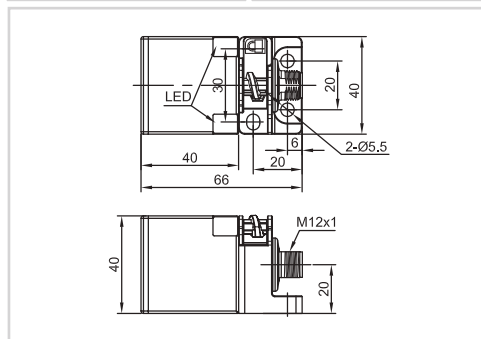




Item Code	LE40SZ			
Mounting	● Flush	◐ Non-flush		
Sensing distance	15mm	20mm		



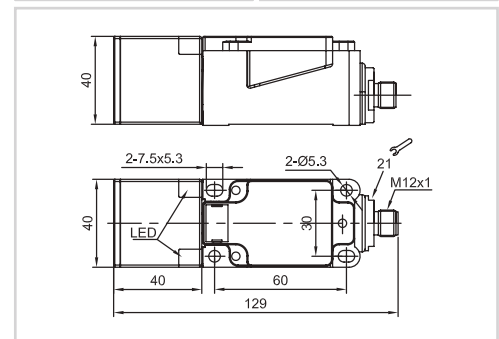
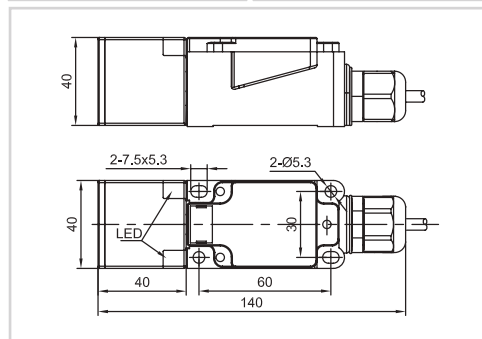
Output	NPN NO	LE40SZSF15DNO-E2	LE40SZSN20DNO-E2		
	NPN NC	LE40SZSF15DNC-E2	LE40SZSN20DNC-E2		
	NPN NO+NC	LE40SZSF15DNR-E2	LE40SZSN20DNR-E2		
Output	PNP NO	LE40SZSF15DPO-E2	LE40SZSN20DPO-E2		
	PNP NC	LE40SZSF15DPC-E2	LE40SZSN20DPC-E2		
	PNP NO+NC	LE40SZSF15DPR-E2	LE40SZSN20DPR-E2		

Technical Parameter				
Supply voltage	10...30 VDC	10...30 VDC		
Switch point drift	< ±10% Sr	< ±10% Sr		
Load current	<200mA	<200mA		
Voltage drop	< 2.5V	< 2.5V		
Consumption current	<10mA	<10mA		
Hysteresis	1...20%	1...20%		
Repeat accuracy	<3%	<3%		
Frequency	500Hz	300Hz		
Output indicator	Yellow LED	Yellow LED		
Polarity protection	yes	yes		
Dielectric strength	1000V/AC 50/60Hz 60s	1000V/AC 50/60Hz 60s		
Short-circuit protection	yes	yes		
Ambient temperature	-25...+70°C	-25...+70°C		
Ambient moisture	35...95%	35...95%		
Protection degree	IP67	IP67		
Housing material	PBT	PBT		
Connection	M12 Connector	M12 Connector		
Certification	CE	CE		



Item Code		LE40XZ		LE40XZ	
Mounting		● Flush	◐ Non-flush	● Flush	◐ Non-flush
Sensing distance		15mm	20mm	15mm	20mm
					
Output	NPN NO	LE40XZSF15DNO-D	LE40XZSN20DNO-D	LE40XZSF15DNO-E2	LE40XZSN20DNO-E2
	NPN NC	LE40XZSF15DNC-D	LE40XZSN20DNC-D	LE40XZSF15DNC-E2	LE40XZSN20DNC-E2
	NPN NO+NC	LE40XZSF15DNR-D	LE40XZSN20DNR-D	LE40XZSF15DNR-E2	LE40XZSN20DNR-E2
Output	PNP NO	LE40XZSF15DPO-D	LE40XZSN20DPO-D	LE40XZSF15DPO-E2	LE40XZSN20DPO-E2
	PNP NC	LE40XZSF15DPC-D	LE40XZSN20DPC-D	LE40XZSF15DPC-E2	LE40XZSN20DPC-E2
	PNP NO+NC	LE40XZSF15DPR-D	LE40XZSN20DPR-D	LE40XZSF15DPR-E2	LE40XZSN20DPR-E2

Technical Parameter					
Supply voltage		10...30 VDC	10...30 VDC	10...30 VDC	10...30 VDC
Switch point drift		< ±10% Sr	< ±10% Sr	< ±10% Sr	< ±10% Sr
Load current		<200mA	<200mA	<200mA	<200mA
Voltage drop		< 2.5V	< 2.5V	< 2.5V	< 2.5V
Consumption current		<10mA	<10mA	<10mA	<10mA
Hysteresis		1...20%	1...20%	1...20%	1...20%
Repeat accuracy		<3%	<3%	<3%	<3%
Frequency		500Hz	300Hz	500Hz	300Hz
Output indicator		Yellow LED	Yellow LED	Yellow LED	Yellow LED
Polarity protection		yes	yes	yes	yes
Dielectric strength		1000V/AC 50/60Hz 60s	1000V/AC 50/60Hz 60s	1000V/AC 50/60Hz 60s	1000V/AC 50/60Hz 60s
Short-circuit protection		yes	yes	yes	yes
Ambient temperature		-25...+70°C	-25...+70°C	-25...+70°C	-25...+70°C
Ambient moisture		35...95%	35...95%	35...95%	35...95%
Protection degree		IP67	IP67	IP67	IP67
Housing material		PBT	PBT	PBT	PBT
Connection		Terminal connect	Terminal connect	M12 Connector	M12 Connector
Certification		CE	CE	CE	CE

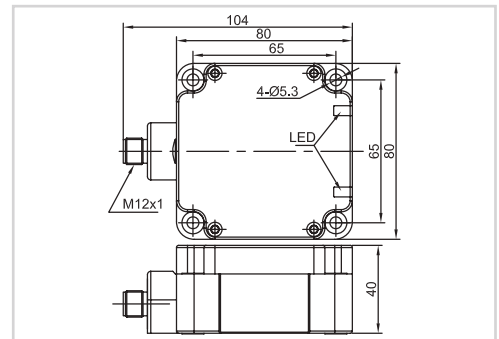
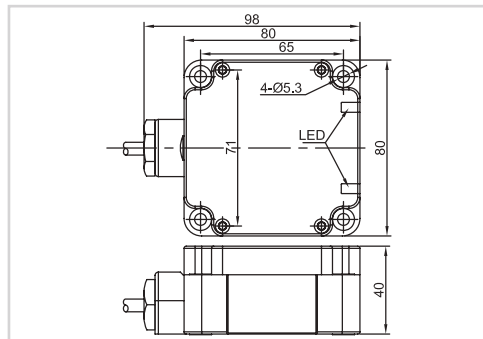


Item Code	LE80XZ		LE80XZ	
Mounting	● Flush	◐ Non-flush	● Flush	◐ Non-flush
Sensing distance	40mm	50mm	40mm	50mm



Output	NPN NO	LE80XZSF40DNO-D	LE80XZSN50DNO-D	LE80XZSF40DNO-E2	LE80XZSN50DNO-E2
	NPN NC	LE80XZSF40DNC-D	LE80XZSN50DNC-D	LE80XZSF40DNC-E2	LE80XZSN50DNC-E2
	NPN NO+NC	LE80XZSF40DNR-D	LE80XZSN50DNR-D	LE80XZSF40DNR-E2	LE80XZSN50DNR-E2
Output	PNP NO	LE80XZSF40DPO-D	LE80XZSN50DPO-D	LE80XZSF40DPO-E2	LE80XZSN50DPO-E2
	PNP NC	LE80XZSF40DPC-D	LE80XZSN50DPC-D	LE80XZSF40DPC-E2	LE80XZSN50DPC-E2
	PNP NO+NC	LE80XZSF40DPR-D	LE80XZSN50DPR-D	LE80XZSF40DPR-E2	LE80XZSN50DPR-E2

Technical Parameter				
Supply voltage	10...30 VDC	10...30 VDC	10...30 VDC	10...30 VDC
Switch point drift	< ±10% Sr	< ±10% Sr	< ±10% Sr	< ±10% Sr
Load current	<200mA	<200mA	<200mA	<200mA
Voltage drop	< 2.5V	< 2.5V	< 2.5V	< 2.5V
Consumption current	<10mA	<10mA	<10mA	<10mA
Hysteresis	1...20%	1...20%	1...20%	1...20%
Repeat accuracy	<3%	<3%	<3%	<3%
Frequency	100Hz	50Hz	100Hz	50Hz
Output indicator	Yellow LED	Yellow LED	Yellow LED	Yellow LED
Polarity protection	yes	yes	yes	yes
Dielectric strength	1000V/AC 50/60Hz 60s	1000V/AC 50/60Hz 60s	1000V/AC 50/60Hz 60s	1000V/AC 50/60Hz 60s
Short-circuit protection	yes	yes	yes	yes
Ambient temperature	-25...+70°C	-25...+70°C	-25...+70°C	-25...+70°C
Ambient moisture	35...95%	35...95%	35...95%	35...95%
Protection degree	IP67	IP67	IP67	IP67
Housing material	PBT	PBT	PBT	PBT
Connection	Terminal connect	Terminal connect	M12 Connector	M12 Connector
Certification	CE	CE	CE	CE

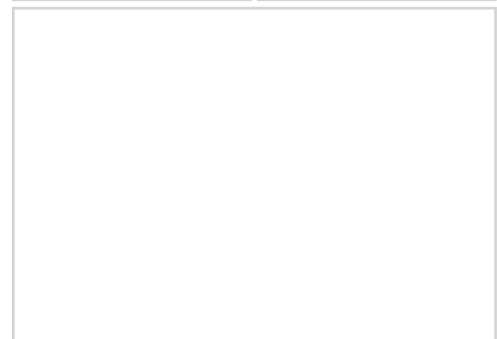
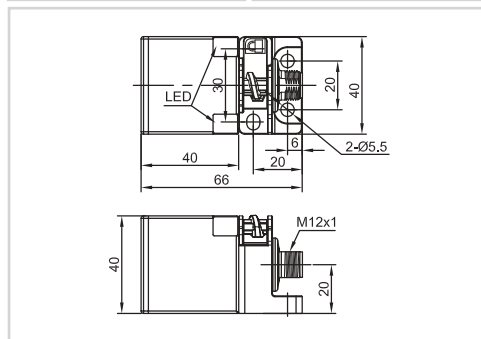




Item Code	LE40SZ			
Mounting	● Flush	◐ Non-flush		
Sensing distance	15mm	20mm		



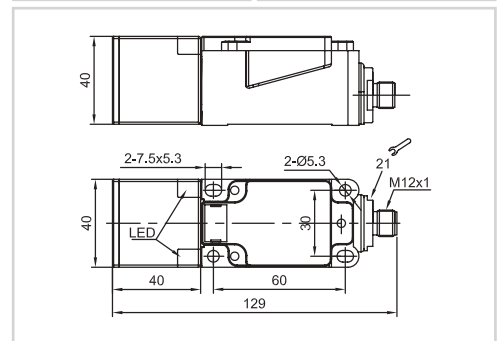
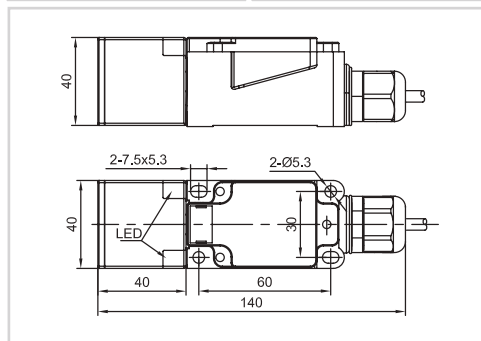
Output	DC 2 Wires NO	LE40SZSF15DLO-E2	LE40SZSN20DLO-E2		
	DC 2 Wires NC	LE40SZSF15DLC-E2	LE40SZSN20DLC-E2		

Technical Parameter					
Supply voltage		10...30 VDC	10...30 VDC		
Switch point drift		< ±10% Sr	< ±10% Sr		
Load current		<100mA	<100mA		
Voltage drop		< 6V	< 6V		
Leakage current		<1mA	<1mA		
Hysteresis		1...20%	1...20%		
Repeat accuracy		<3%	<3%		
Frequency		500Hz	300Hz		
Output indicator		Yellow LED	Yellow LED		
Polarity protection		yes	yes		
Dielectric strength		1000V/AC 50/60Hz 60s	1000V/AC 50/60Hz 60s		
Short-circuit protection		yes	yes		
Ambient temperature		-25...+70°C	-25...+70°C		
Ambient moisture		35...95%	35...95%		
Protection degree		IP67	IP67		
Housing material		PBT	PBT		
Connection		M12 Connector	M12 Connector		
Certification		CE	CE		



Item Code		LE40XZ		LE40XZ	
Mounting		● Flush	◐ Non-flush	● Flush	◐ Non-flush
Sensing distance		15mm	20mm	15mm	20mm
					
Output	DC 2 Wires NO	LE40XZSF15DLO-D	LE40XZSN20DLO-D	LE40XZSF15DLO-E2	LE40XZSN20DLO-E2
	DC 2 Wires NC	LE40XZSF15DLC-D	LE40XZSN20DLC-D	LE40XZSF15DLC-E2	LE40XZSN20DLC-E2

Technical Parameter					
Supply voltage		10...30 VDC	10...30 VDC	10...30 VDC	10...30 VDC
Switch point drift		< ±10% Sr	< ±10% Sr	< ±10% Sr	< ±10% Sr
Load current		<100mA	<100mA	<100mA	<100mA
Voltage drop		<6V	<6V	<6V	<6V
Leakage current		<1mA	<1mA	<1mA	<1mA
Hysteresis		1...20%	1...20%	1...20%	1...20%
Repeat accuracy		<3%	<3%	<3%	<3%
Frequency		500Hz	300Hz	500Hz	300Hz
Output indicator		Yellow LED	Yellow LED	Yellow LED	Yellow LED
Polarity protection		yes	yes	yes	yes
Dielectric strength		1000V/AC 50/60Hz 60s	1000V/AC 50/60Hz 60s	1000V/AC 50/60Hz 60s	1000V/AC 50/60Hz 60s
Short-circuit protection		yes	yes	yes	yes
Ambient temperature		-25...+70°C	-25...+70°C	-25...+70°C	-25...+70°C
Ambient moisture		35...95%	35...95%	35...95%	35...95%
Protection degree		IP67	IP67	IP67	IP67
Housing material		PBT	PBT	PBT	PBT
Connection		Terminal connect	Terminal connect	2m PVC Cable	2m PVC Cable
Certification		CE	CE	CE	CE



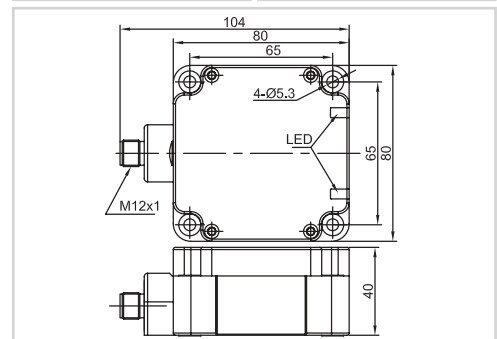
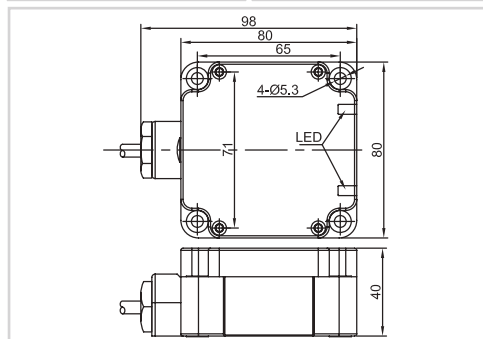
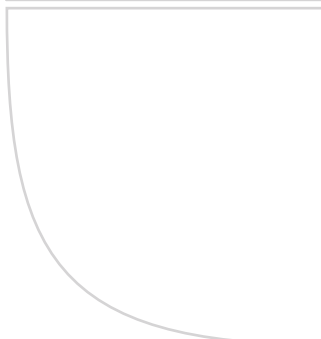
Item Code	LE80XZ		LE80XZ	
Mounting	● Flush	◐ Non-flush	● Flush	◐ Non-flush
Sensing distance	40mm	50mm	40mm	50mm



Output	DC 2 Wires NO	LE80XZSF40DLO-D	LE80XZSN50DLO-D	LE80XZSF40DLO-E2	LE80XZSN50DLO-E2
	DC 2 Wires NC	LE80XZSF40DLC-D	LE80XZSN50DLC-D	LE80XZSF40DLC-E2	LE80XZSN50DLC-E2

Technical Parameter

Supply voltage	10...30 VDC	10...30 VDC	10...30 VDC	10...30 VDC
Switch point drift	< ±10% Sr	< ±10% Sr	< ±10% Sr	< ±10% Sr
Load current	<100mA	<100mA	<100mA	<100mA
Voltage drop	<6V	<6V	<6V	<6V
Leakage current	<1mA	<1mA	<1mA	<1mA
Hysteresis	1...20%	1...20%	1...20%	1...20%
Repeat accuracy	<3%	<3%	<3%	<3%
Frequency	80Hz	40Hz	80Hz	40Hz
Output indicator	Yellow LED	Yellow LED	Yellow LED	Yellow LED
Polarity protection	yes	yes	yes	yes
Dielectric strength	1000V/AC 50/60Hz 60s	1000V/AC 50/60Hz 60s	1000V/AC 50/60Hz 60s	1000V/AC 50/60Hz 60s
Short-circuit protection
Ambient temperature	-25...+70°C	-25...+70°C	-25...+70°C	-25...+70°C
Ambient moisture	35...95%	35...95%	35...95%	35...95%
Protection degree	IP67	IP67	IP67	IP67
Housing material	PBT	PBT	PBT	PBT
Connection	Terminal connect	Terminal connect	M12 Connector	M12 Connector
Certification	CE	CE	CE	CE

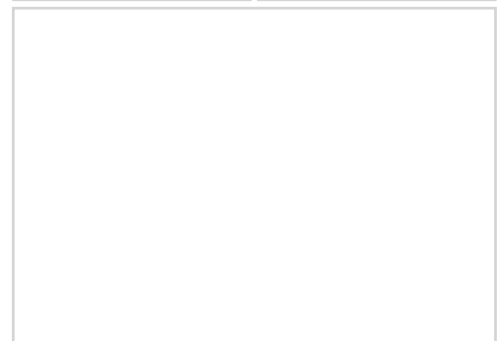
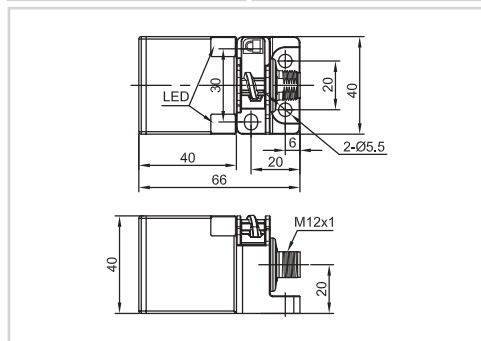


Item Code	LE40SZ			
Mounting	● Flush	◐ Non-flush		
Sensing distance	15mm	20mm		



Output	AC 2 Wires NO	LE40SZSF15ATO-E2	LE40SZSN20ATO-E2		
	AC 2 Wires NC	LE40SZSF15ATC-E2	LE40SZSN20ATC-E2		

Technical Parameter					
Supply voltage		20...250 VAC	20...250 VAC		
Switch point drift		< ±10% Sr	< ±10% Sr		
Load current		<300mA	<300mA		
Voltage drop		< 10V	< 10V		
Leakage current		<3mA	<3mA		
Hysteresis		1...20%	1...20%		
Repeat accuracy		<3%	<3%		
Frequency		20Hz	20Hz		
Output indicator		Yellow LED	Yellow LED		
Polarity protection			
Dielectric strength		2000V/AC 50/60Hz 60s	2000V/AC 50/60Hz 60s		
Short-circuit protection			
Ambient temperature		-25...+70°C	-25...+70°C		
Ambient moisture		35...95%	35...95%		
Protection degree		IP67	IP67		
Housing material		PBT	PBT		
Connection		M12 Connector	M12 Connector		
Certification		CE	CE		



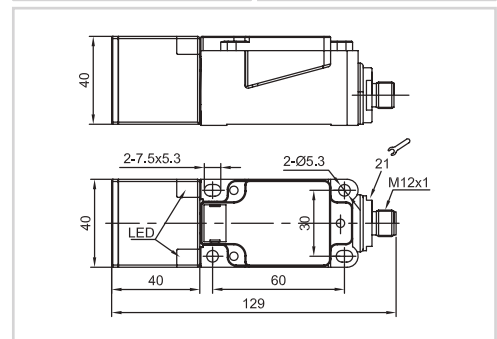
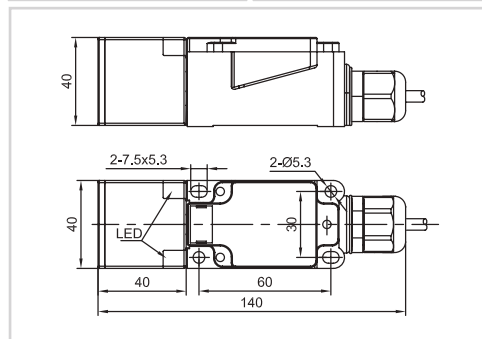
Item Code	LE40XZ		LE40XZ	
Mounting	● Flush	◐ Non-flush	● Flush	◐ Non-flush
Sensing distance	15mm	20mm	15mm	20mm



Output	AC 2 Wires NO	LE40XZSF15ATO-D	LE40XZSN20ATO-D	LE40XZSF15ATO-E2	LE40XZSN20ATO-E2
	AC 2 Wires NC	LE40XZSF15ATC-D	LE40XZSN20ATC-D	LE40XZSF15ATC-E2	LE40XZSN20ATC-E2

Technical Parameter

Supply voltage	20...250 VAC	20...250 VAC	20...250 VAC	20...250 VAC
Switch point drift	< ±10% Sr	< ±10% Sr	< ±10% Sr	< ±10% Sr
Load current	<300mA	<300mA	<300mA	<300mA
Voltage drop	< 10V	< 10V	< 10V	< 10V
Leakage current	<3mA	<3mA	<3mA	<3mA
Hysteresis	1...20%	1...20%	1...20%	1...20%
Repeat accuracy	<3%	<3%	<3%	<3%
Frequency	20Hz	20Hz	20Hz	20Hz
Output indicator	Yellow LED	Yellow LED	Yellow LED	Yellow LED
Polarity protection
Dielectric strength	2000V/AC 50/60Hz 60s	2000V/AC 50/60Hz 60s	2000V/AC 50/60Hz 60s	2000V/AC 50/60Hz 60s
Short-circuit protection
Ambient temperature	-25...+70°C	-25...+70°C	-25...+70°C	-25...+70°C
Ambient moisture	35...95%	35...95%	35...95%	35...95%
Protection degree	IP67	IP67	IP67	IP67
Housing material	PBT	PBT	PBT	PBT
Connection	Terminal connect	Terminal connect	M12 Connector	M12 Connector
Certification	CE	CE	CE	CE

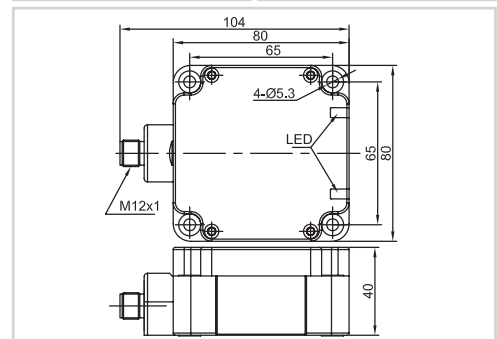
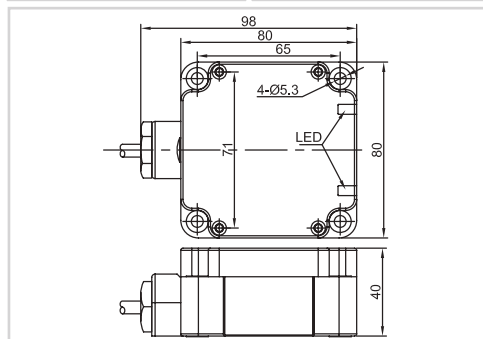
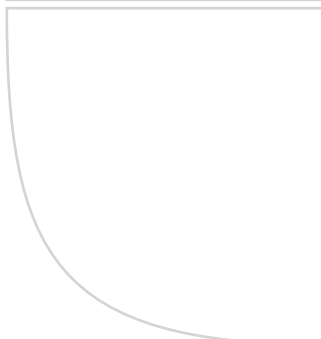


Item Code	LE80XZ		LE80XZ	
Mounting	● Flush	◐ Non-flush	● Flush	◐ Non-flush
Sensing distance	40mm	50mm	40mm	50mm



Output	AC 2 Wires NO	LE80XZSF40ATO-D	LE80XZSN50ATO-D	LE80XZSF40ATO-E2	LE80XZSN50ATO-E2
	AC 2 Wires NC	LE80XZSF40ATC-D	LE80XZSN50ATC-D	LE80XZSF40ATC-E2	LE80XZSN50ATC-E2

Technical Parameter				
Supply voltage	20...250 VAC	20...250 VAC	20...250 VAC	20...250 VAC
Switch point drift	< ±10% Sr	< ±10% Sr	< ±10% Sr	< ±10% Sr
Load current	<300mA	<300mA	<300mA	<300mA
Voltage drop	<10V	<10V	<10V	<10V
Leakage current	<3mA	<3mA	<3mA	<3mA
Hysteresis	1...20%	1...20%	1...20%	1...20%
Repeat accuracy	<3%	<3%	<3%	<3%
Frequency	10Hz	10Hz	10Hz	10Hz
Output indicator	Yellow LED	Yellow LED	Yellow LED	Yellow LED
Polarity protection
Dielectric strength	2000V/AC 50/60Hz 60s	2000V/AC 50/60Hz 60s	2000V/AC 50/60Hz 60s	2000V/AC 50/60Hz 60s
Short-circuit protection
Ambient temperature	-25...+70°C	-25...+70°C	-25...+70°C	-25...+70°C
Ambient moisture	35...95%	35...95%	35...95%	35...95%
Protection degree	IP67	IP67	IP67	IP67
Housing material	PBT	PBT	PBT	PBT
Connection	Terminal connect	Terminal connect	M12 Connector	M12 Connector
Certification	CE	CE	CE	CE



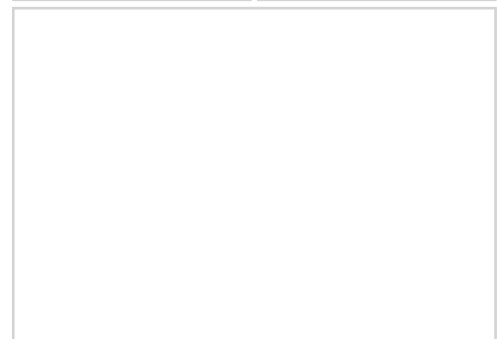
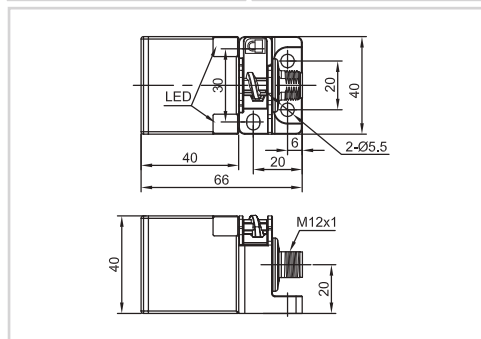
Item Code	LE40SZ	
Mounting	● Flush	◐ Non-flush
Sensing distance	15mm	20mm




Output	DC/AC 2 Wires NO	LE40SZSF15SBO-E2	LE40SZSN20SBO-E2
	DC/AC 2 Wires NC	LE40SZSF15SBC-E2	LE40SZSN20SBC-E2
	DC/AC 2 Wires NO/NC	LE40SZSF15SBB-E2	LE40SZSN20SBB-E2

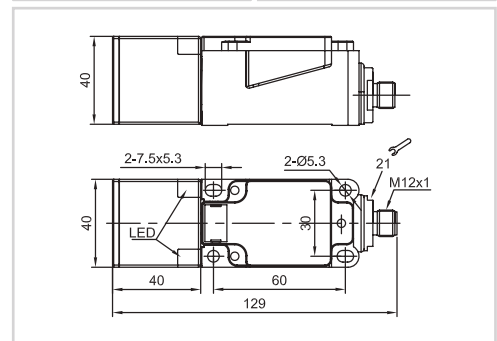
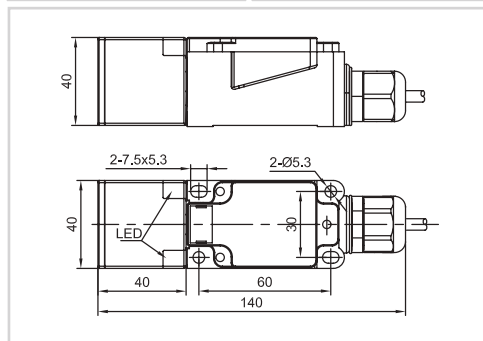
Technical Parameter


Supply voltage	20-250VAC/DC	
Switch point drift	< ±10% Sr	
Load current	AC: <300mA, DC: <100mA	
Voltage drop	AC:<10V, DC:<8V	
Leakage current	AC: <3mA, DC: <1mA	
Hysteresis	1...20%	
Repeat accuracy	<3%	
Frequency	AC: 20Hz, DC: 100Hz	
Output indicator	Yellow LED	Yellow LED
Polarity protection
Dielectric strength	2000V/AC 50/60Hz 60s	2000V/AC 50/60Hz 60s
Short-circuit protection
Ambient temperature	-25...+70°C	-25...+70°C
Ambient moisture	35...95%	35...95%
Protection degree	IP67	IP67
Housing material	PBT	PBT
Connection	M12 Connector	M12 Connector
Certification	CE	CE



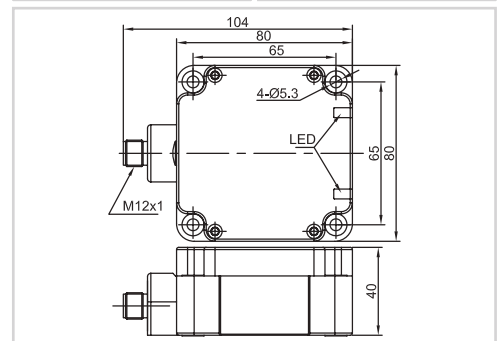
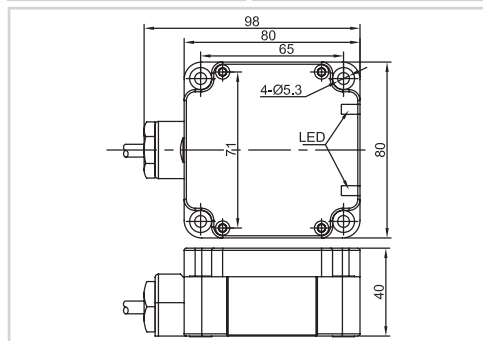
Item Code		LE40XZ		LE40XZ	
Mounting		● Flush	◐ Non-flush	● Flush	◐ Non-flush
Sensing distance		15mm	20mm	15mm	20mm
					
Output	DC/AC 2 Wires NO	LE40XZSF15SBO-D	LE40XZSN20SBO-D	LE40XZSF15SBO-E2	LE40XZSN20SBO-E2
	DC/AC 2 Wires NC	LE40XZSF15SBC-D	LE40XZSN20SBC-D	LE40XZSF15SBC-E2	LE40XZSN20SBC-E2
	DC/AC 2 Wires NO/NC	LE40XZSF15SBB-D	LE40XZSN20SBB-D	LE40XZSF15SBB-E2	LE40XZSN20SBB-E2

Technical Parameter					
Supply voltage	20-250VAC/DC		20-250VAC/DC		
Switch point drift	< ±10% Sr		< ±10% Sr		
Load current	AC: <300mA, DC: <100mA		AC: <300mA, DC: <100mA		
Voltage drop	AC:<10V, DC:<8V		AC:<10V, DC:<8V		
Leakage current	AC: <3mA, DC: <1mA		AC: <3mA, DC: <1mA		
Hysteresis	1...20%		1...20%		
Repeat accuracy	<3%		<3%		
Frequency	AC: 20Hz, DC: 100Hz		AC: 20Hz, DC: 100Hz		
Output indicator	Yellow LED	Yellow LED	Yellow LED	Yellow LED	
Polarity protection	
Dielectric strength	2000V/AC 50/60Hz 60s	2000V/AC 50/60Hz 60s	2000V/AC 50/60Hz 60s	2000V/AC 50/60Hz 60s	
Short-circuit protection	
Ambient temperature	-25...+70°C		-25...+70°C		
Ambient moisture	35...95%		35...95%		
Protection degree	IP67		IP67		
Housing material	PBT		PBT		
Connection	Terminal connect	Terminal connect	M12 Connector	M12 Connector	
Certification	CE		CE		



Item Code		LE80XZ		LE80XZ	
Mounting		● Flush	◐ Non-flush	● Flush	◐ Non-flush
Sensing distance		40mm	50mm	40mm	50mm
					
Output	DC/AC 2 Wires NO	LE80XZSF40SBO-D	LE80XZSN50SBO-D	LE80XZSF40SBO-E2	LE80XZSN50SBO-E2
	DC/AC 2 Wires NC	LE80XZSF40SBC-D	LE80XZSN50SBC-D	LE80XZSF40SBC-E2	LE80XZSN50SBC-E2
	DC/AC 2 Wires NO/NC	LE80XZSF40SBB-D	LE80XZSN50SBB-D	LE80XZSF40SBB-E2	LE80XZSN50SBB-E2

Technical Parameter					
Supply voltage	20-250VAC/DC		20-250VAC/DC		
Switch point drift	< ±10% Sr		< ±10% Sr		
Load current	AC: <300mA, DC: <100mA		AC: <300mA, DC: <100mA		
Voltage drop	AC:<10V, DC:<8V		AC:<10V, DC:<8V		
Leakage current	AC: <3mA, DC: <1mA		AC: <3mA, DC: <1mA		
Hysteresis	1...20%		1...20%		
Repeat accuracy	<3%		<3%		
Frequency	AC: 10Hz, DC: 40Hz		AC: 10Hz, DC: 40Hz		
Output indicator	Yellow LED	Yellow LED	Yellow LED	Yellow LED	
Polarity protection	
Dielectric strength	2000V/AC 50/60Hz 60s	2000V/AC 50/60Hz 60s	2000V/AC 50/60Hz 60s	2000V/AC 50/60Hz 60s	
Short-circuit protection	
Ambient temperature	-25...+70°C		-25...+70°C		
Ambient moisture	35...95%		35...95%		
Protection degree	IP67		IP67		
Housing material	PBT		PBT		
Connection	Terminal connect	Terminal connect	M12 Connector	M12 Connector	
Certification	CE		CE		



Item Code	LR05		LR08	
Mounting	● Flush		● Flush	● Non-flush
Sensing distance	0.8mm		1.5mm	2mm

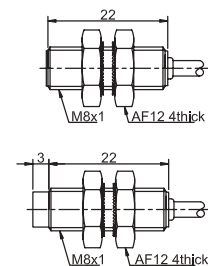
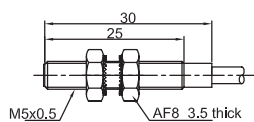


Output	NAMUR	LR05AF08FLCN	LR08AF15FLCN	LR08AN02FLCN

Technical Parameter

Supply voltage	8.2 VDC	8.2 VDC	8.2 VDC
Switch point drift	< ±10% Sr	< ±10% Sr	< ±10% Sr
Output current	Attenuation	≤1mA	≤1mA
	Non-attenuation	≥2.2mA	≥2.2mA
Load impedance	≥1KΩ	≥1KΩ	≥1KΩ
Hysteresis	1...20%	1...20%	1...20%
Repeat accuracy	<3%	<3%	<3%
Frequency	3000Hz	2500Hz	2000Hz
Output indicator
Polarity protection
Dielectric strength	500V/AC 50/60Hz 60s	500V/AC 50/60Hz 60s	500V/AC 50/60Hz 60s
Short-circuit protection
Ambient temperature	-25...+70°C	-25...+70°C	-25...+70°C
Ambient moisture	35...95%	35...95%	35...95%
Protection degree	IP67	IP67	IP67
Housing material	Stainless steel	Stainless steel	Stainless steel
Connection	2m PVC Cable	2m PVC Cable	2m PVC Cable
Certification	CE	CE	CE

* Cable material and length can be customized



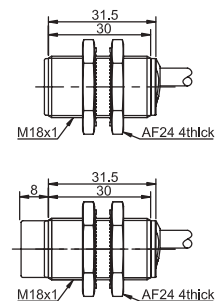
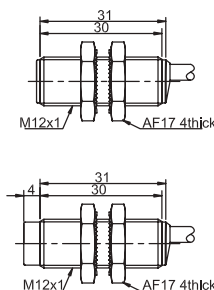
Item Code	LR12X		LR18X	
Mounting	● Flush	◐ Non-flush	● Flush	◐ Non-flush
Sensing distance	2mm	4mm	5mm	8mm



Output	NAMUR	LR12XAF02FLCN	LR12XAN04FLCN	LR18XAF05FLCN	LR18XAN08FLCN

Technical Parameter					
Supply voltage		8.2 VDC	8.2 VDC	8.2 VDC	8.2 VDC
Switch point drift		< ±10% Sr	< ±10% Sr	< ±10% Sr	< ±10% Sr
Output current	Attenuation	≤1mA	≤1mA	≤1mA	≤1mA
	Non-attenuation	≥2.2mA	≥2.2mA	≥2.2mA	≥2.2mA
Load impedance		≥1KΩ	≥1KΩ	≥1KΩ	≥1KΩ
Hysteresis		1...20%	1...20%	1...20%	1...20%
Repeat accuracy		<3%	<3%	<3%	<3%
Frequency		2000Hz	1500Hz	1500Hz	1000Hz
Output indicator	
Polarity protection	
Dielectric strength	
Short-circuit protection	
Ambient temperature		-25...+70°C	-25...+70°C	-25...+70°C	-25...+70°C
Ambient moisture		35...95%	35...95%	35...95%	35...95%
Protection degree		IP67	IP67	IP67	IP67
Housing material		Nickel-copper alloy	Nickel-copper alloy	Nickel-copper alloy	Nickel-copper alloy
Connection		2m PVC Cable	2m PVC Cable	2m PVC Cable	2m PVC Cable
Certification		CE	CE	CE	CE

* Cable material and length can be customized



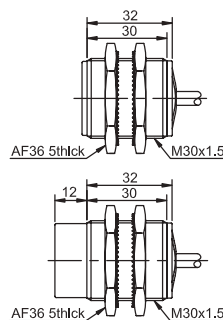
Item Code	LR30X	
Mounting	● Flush	◐ Non-flush
Sensing distance	10mm	15mm



Output	NAMUR	LR30XAF10FLCN	LR30XAN15FLCN

Technical Parameter		LR30XAF10FLCN	LR30XAN15FLCN
Supply voltage		8.2 VDC	8.2 VDC
Switch point drift		< ±10% Sr	< ±10% Sr
Output current	Attenuation	≤1mA	≤1mA
	Non-attenuation	≥2.2mA	≥2.2mA
Load impedance		≥1KΩ	≥1KΩ
Hysteresis		1...20%	1...20%
Repeat accuracy		<3%	<3%
Frequency		1000Hz	800Hz
Output indicator	
Polarity protection	
Dielectric strength	
Short-circuit protection	
Ambient temperature		-25...+70°C	-25...+70°C
Ambient moisture		35...95%	35...95%
Protection degree		IP67	IP67
Housing material		Nickel-copper alloy	Nickel-copper alloy
Connection		2m PVC Cable	2m PVC Cable
Certification		CE	CE

* Cable material and length can be customized

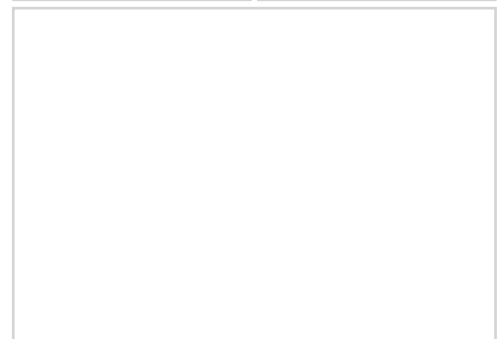
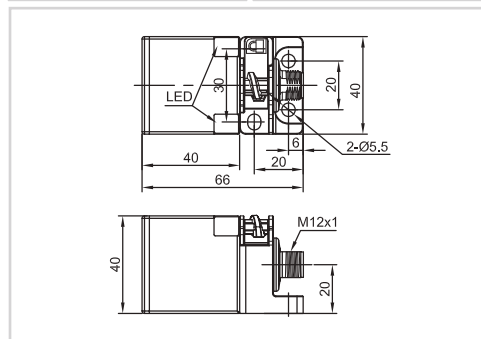


Item Code	LE40SZ			
Mounting	● Flush	◐ Non-flush		
Sensing distance	15mm	20mm		



Output	NAMUR	LE40SZSF15FLCN-E2	LE40SZSN20FLCN-E2		

Technical Parameter					
Supply voltage		8.2 VDC	8.2 VDC		
Switch point drift		< ±10% Sr	< ±10% Sr		
Output current	Attenuation	≤1mA	≤1mA		
	Non-attenuation	≥2.2mA	≥2.2mA		
Load impedance		≥1KΩ	≥1KΩ		
Hysteresis		1...20%	1...20%		
Repeat accuracy		<3%	<3%		
Frequency		400Hz	250Hz		
Output indicator			
Polarity protection			
Dielectric strength			
Short-circuit protection			
Ambient temperature		-25...+70°C	-25...+70°C		
Ambient moisture		35...95%	35...95%		
Protection degree		IP67	IP67		
Housing material		PBT	PBT		
Connection		M12 Connector	M12 Connector		
Certification		CE	CE		



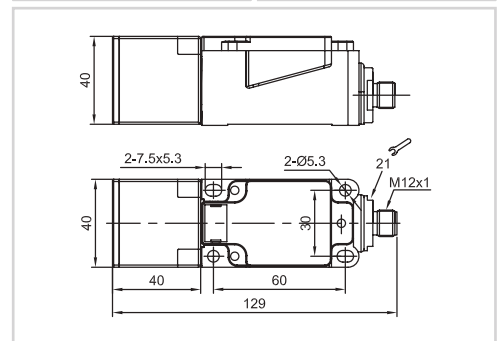
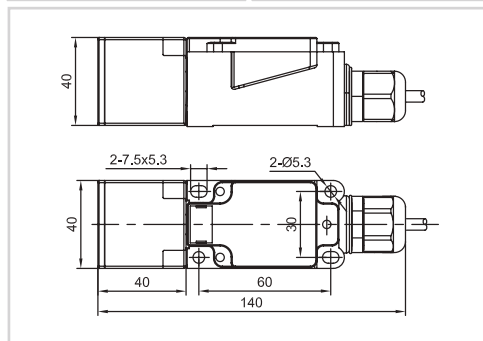
Item Code	LE40XZ		LE40XZ	
Mounting	● Flush	◐ Non-flush	● Flush	◐ Non-flush
Sensing distance	15mm	20mm	15mm	20mm



Output	NAMUR	LE40XZSF15FLCN-D	LE40XZSN20FLCN-D	LE40XZSF15FLCN-E2	LE40XZSN20FLCN-E2

Technical Parameter

Supply voltage	8.2 VDC	8.2 VDC	8.2 VDC	8.2 VDC	
Switch point drift	< ±10% Sr	< ±10% Sr	< ±10% Sr	< ±10% Sr	
Output current	Attenuation	≤1mA	≤1mA	≤1mA	≤1mA
	Non-attenuation	≥2.2mA	≥2.2mA	≥2.2mA	≥2.2mA
Load impedance	≥1KΩ	≥1KΩ	≥1KΩ	≥1KΩ	
Hysteresis	1...20%	1...20%	1...20%	1...20%	
Repeat accuracy	<3%	<3%	<3%	<3%	
Frequency	400Hz	250Hz	400Hz	250Hz	
Output indicator	
Polarity protection	
Dielectric strength	
Short-circuit protection	
Ambient temperature	-25...+70°C	-25...+70°C	-25...+70°C	-25...+70°C	
Ambient moisture	35...95%	35...95%	35...95%	35...95%	
Protection degree	IP67	IP67	IP67	IP67	
Housing material	PBT	PBT	PBT	PBT	
Connection	Terminal connect	Terminal connect	M12 Connector	M12 Connector	
Certification	CE	CE	CE	CE	



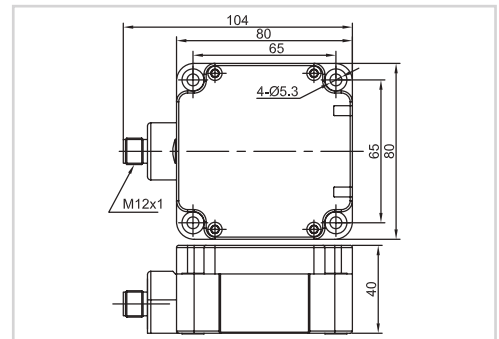
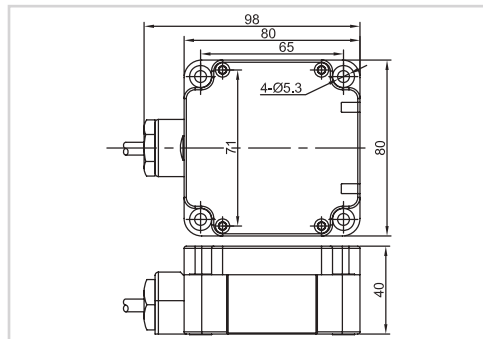
Item Code	LE80XZ		LE80XZ	
Mounting	● Flush	◐ Non-flush	● Flush	◐ Non-flush
Sensing distance	40mm	50mm	40mm	50mm



Output	NAMUR	LE80XZSF40FLCN-D	LE80XZSN50FLCN-D	LE80XZSF40FLCN-E2	LE80XZSN50FLCN-E2

Technical Parameter

Supply voltage	8.2 VDC	8.2 VDC	8.2 VDC	8.2 VDC	
Switch point drift	< ±10% Sr	< ±10% Sr	< ±10% Sr	< ±10% Sr	
Output current	Attenuation	≤1mA	≤1mA	≤1mA	≤1mA
	Non-attenuation	≥2.2mA	≥2.2mA	≥2.2mA	≥2.2mA
Load impedance	≥1KΩ	≥1KΩ	≥1KΩ	≥1KΩ	
Hysteresis	1...20%	1...20%	1...20%	1...20%	
Repeat accuracy	<3%	<3%	<3%	<3%	
Frequency	100Hz	100Hz	100Hz	100Hz	
Output indicator	
Polarity protection	
Dielectric strength	
Short-circuit protection	
Ambient temperature	-25...+70°C	-25...+70°C	-25...+70°C	-25...+70°C	
Ambient moisture	35...95%	35...95%	35...95%	35...95%	
Protection degree	IP67	IP67	IP67	IP67	
Housing material	PBT	PBT	PBT	PBT	
Connection	Terminal connect	Terminal connect	M12 Connector	M12 Connector	
Certification	CE	CE	CE	CE	



Inductive sensors / Extended sensing distance LR04Q/LR04XQ

10-30VDC 3 Wires

Item Code	LR04Q		LR04XQ	
Mounting	● Flush	● Flush	● Flush	
Sensing distance	1.5mm	1.5mm	1.5mm	

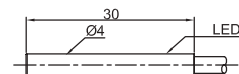
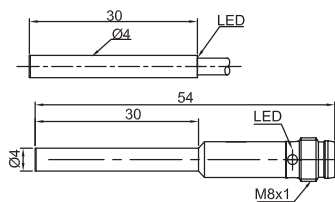


Output	NPN NO	LR04QAF15DNOY	LR04QAF15DNOY-E1	LR04XQAF15DNOY	
	NPN NC	LR04QAF15DNCY	LR04QAF15DNCY-E1	LR04XQAF15DNCY	
Output	PNP NO	LR04QAF15DPOY	LR04QAF15DPOY-E1	LR04XQAF15DPOY	
	PNP NC	LR04QAF15DPCY	LR04QAF15DPCY-E1	LR04XQAF15DPCY	

Technical Parameter

Supply voltage	10...30 VDC	10...30 VDC	10...30 VDC	
Switch point drift	< ±10% Sr	< ±10% Sr	< ±10% Sr	
Load current	<100mA	<100mA	<100mA	
Voltage drop	<2.5V	<2.5V	<2.5V	
Consumption current	<10mA	<10mA	<10mA	
Hysteresis	1...20%	1...20%	1...20%	
Repeat accuracy	<3%	<3%	<3%	
Frequency	1200Hz	1200Hz	1200Hz	
Output indicator	Red LED	Red LED	Red LED	
Polarity protection	yes	yes	yes	
Dielectric strength	
Short-circuit protection	
Ambient temperature	-25...+70°C	-25...+70°C	-25...+70°C	
Ambient moisture	35...95%	35...95%	35...95%	
Protection degree	IP67	IP67	IP67	
Housing material	Stainless steel	Stainless steel	Stainless steel	
Connection	2m PUR Cable	M8 Connector	2m PUR Cable	
Certification	CE	CE	CE	

* Cable material and length can be customized



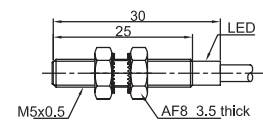
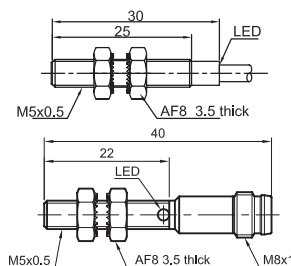
Item Code	LR05		LR05X	
Mounting	● Flush	● Flush	● Flush	
Sensing distance	1.5mm	1.5mm	1.5mm	



Output	NPN NO	LR05AF15DNOY	LR05AF15DNOY-E1	LR05XAF15DNOY	
	NPN NC	LR05AF15DNCY	LR05AF15DNCY-E1	LR05XAF15DNCY	
Output	PNP NO	LR05AF15DPOY	LR05AF15DPOY-E1	LR05XAF15DPOY	
	PNP NC	LR05AF15DPCY	LR05AF15DPCY-E1	LR05XAF15DPCY	

Technical Parameter				
Supply voltage	10...30 VDC	10...30 VDC	10...30 VDC	
Switch point drift	< ±10% Sr	< ±10% Sr	< ±10% Sr	
Load current	<100mA	<100mA	<100mA	
Voltage drop	<2.5V	<2.5V	<2.5V	
Consumption current	<10mA	<10mA	<10mA	
Hysteresis	1...20%	1...20%	1...20%	
Repeat accuracy	<3%	<3%	<3%	
Frequency	1200Hz	1200Hz	1200Hz	
Output indicator	Red LED	Red LED	Red LED	
Polarity protection	yes	yes	yes	
Dielectric strength	
Short-circuit protection	
Ambient temperature	-25...+70°C	-25...+70°C	-25...+70°C	
Ambient moisture	35...95%	35...95%	35...95%	
Protection degree	IP67	IP67	IP67	
Housing material	Stainless steel	Stainless steel	Stainless steel	
Connection	2m PUR Cable	M8 Connector	2m PUR Cable	
Certification	CE	CE	CE	

* Cable material and length can be customized



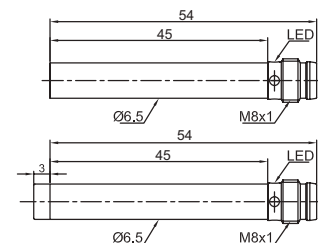
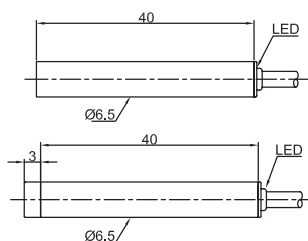
Item Code	LR6.5Q		LR6.5Q	
Mounting	● Flush	◐ Non-flush	● Flush	◐ Non-flush
Sensing distance	2mm	4mm	2mm	4mm



Output	NPN NO	LR6.5QBF02DNOY	LR6.5QBN04DNOY	LR6.5QBF02DNOY-E1	LR6.5QBN04DNOY-E1
	NPN NC	LR6.5QBF02DNKY	LR6.5QBN04DNKY	LR6.5QBF02DNKY-E1	LR6.5QBN04DNKY-E1
Output	PNP NO	LR6.5QBF02DPOY	LR6.5QBN04DPOY	LR6.5QBF02DPOY-E1	LR6.5QBN04DPOY-E1
	PNP NC	LR6.5QBF02DPCY	LR6.5QBN04DPCY	LR6.5QBF02DPCY-E1	LR6.5QBN04DPCY-E1

Technical Parameter				
Supply voltage	10...30 VDC	10...30 VDC	10...30 VDC	10...30 VDC
Switch point drift	< ±10% Sr	< ±10% Sr	< ±10% Sr	< ±10% Sr
Load current	<150mA	<150mA	<150mA	<150mA
Voltage drop	<2.5V	<2.5V	<2.5V	<2.5V
Consumption current	<10mA	<10mA	<10mA	<10mA
Hysteresis	1...20%	1...20%	1...20%	1...20%
Repeat accuracy	<3%	<3%	<3%	<3%
Frequency	1000Hz	800Hz	1000Hz	800Hz
Output indicator	Yellow LED	Yellow LED	Yellow LED	Yellow LED
Polarity protection	yes	yes	yes	yes
Dielectric strength
Short-circuit protection	yes	yes	yes	yes
Ambient temperature	-25...+70°C	-25...+70°C	-25...+70°C	-25...+70°C
Ambient moisture	35...95%	35...95%	35...95%	35...95%
Protection degree	IP67	IP67	IP67	IP67
Housing material	Stainless steel	Stainless steel	Stainless steel	Stainless steel
Connection	2m PVC Cable	2m PVC Cable	M8 Connector	M8 Connector
Certification	CE	CE	CE	CE

* Cable material and length can be customized



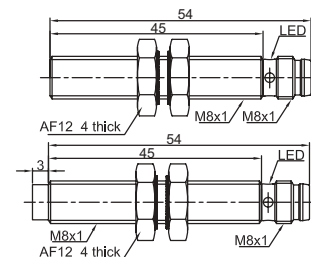
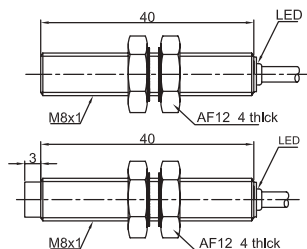
Item Code	LR08		LR08	
Mounting	● Quasi-flush	◐ Non-flush	● Quasi-flush	◐ Non-flush
Sensing distance	2mm	4mm	2mm	4mm



Output	NPN NO	LR08BF02DNOY	LR08BN04DNOY	LR08BF02DNOY-E1	LR08BN04DNOY-E1
	NPN NC	LR08BF02DNCY	LR08BN04DNCY	LR08BF02DNCY-E1	LR08BN04DNCY-E1
Output	PNP NO	LR08BF02DPOY	LR08BN04DPOY	LR08BF02DPOY-E1	LR08BN04DPOY-E1
	PNP NC	LR08BF02DPCY	LR08BN04DPCY	LR08BF02DPCY-E1	LR08BN04DPCY-E1

Technical Parameter				
Supply voltage	10...30 VDC	10...30 VDC	10...30 VDC	10...30 VDC
Switch point drift	< ±10% Sr	< ±10% Sr	< ±10% Sr	< ±10% Sr
Load current	<150mA	<150mA	<150mA	<150mA
Voltage drop	<2.5V	<2.5V	<2.5V	<2.5V
Consumption current	<10mA	<10mA	<10mA	<10mA
Hysteresis	1...20%	1...20%	1...20%	1...20%
Repeat accuracy	<3%	<3%	<3%	<3%
Frequency	1500Hz	1000Hz	1500Hz	1000Hz
Output indicator	Yellow LED	Yellow LED	Yellow LED	Yellow LED
Polarity protection	yes	yes	yes	yes
Dielectric strength
Short-circuit protection	yes	yes	yes	yes
Ambient temperature	-25...+70°C	-25...+70°C	-25...+70°C	-25...+70°C
Ambient moisture	35...95%	35...95%	35...95%	35...95%
Protection degree	IP67	IP67	IP67	IP67
Housing material	Stainless steel	Stainless steel	Stainless steel	Stainless steel
Connection	2m PVC Cable	2m PVC Cable	M8 Connector	M8 Connector
Certification	CE	CE	CE	CE

* Cable material and length can be customized

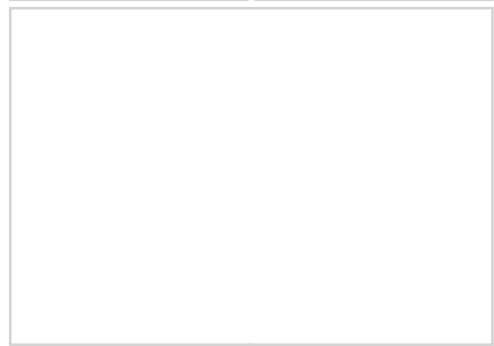
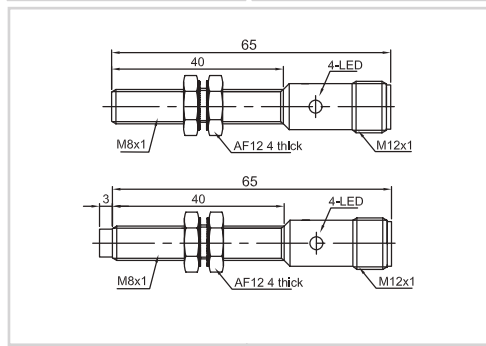
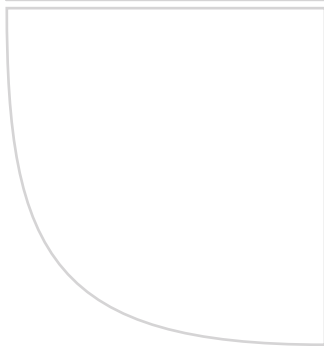


Item Code	LR08			
Mounting	● Quasi-flush	◐ Non-flush		
Sensing distance	2mm	4mm		



Output	NPN NO	LR08BF02DNOY-E2	LR08BN04DNOY-E2		
	NPN NC	LR08BF02DNCY-E2	LR08BN04DNCY-E2		
Output	PNP NO	LR08BF02DPOY-E2	LR08BN04DPOY-E2		
	PNP NC	LR08BF02DPCY-E2	LR08BN04DPCY-E2		

Technical Parameter					
Supply voltage		10...30 VDC	10...30 VDC		
Switch point drift		< ±10% Sr	< ±10% Sr		
Load current		<150mA	<150mA		
Voltage drop		<2.5V	<2.5V		
Consumption current		<10mA	<10mA		
Hysteresis		1...20%	1...20%		
Repeat accuracy		<3%	<3%		
Frequency		1500Hz	1000Hz		
Output indicator		Yellow LED	Yellow LED		
Polarity protection		yes	yes		
Dielectric strength			
Short-circuit protection		yes	yes		
Ambient temperature		-25...+70°C	-25...+70°C		
Ambient moisture		35...95%	35...95%		
Protection degree		IP67	IP67		
Housing material		Stainless steel	Stainless steel		
Connection		M12 Connector	M12 Connector		
Certification		CE	CE		



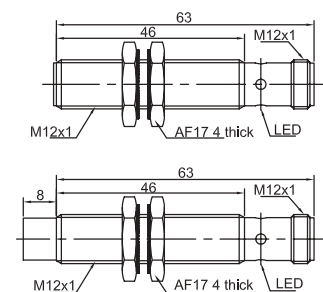
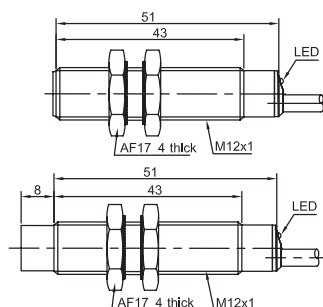
Item Code	LR12X		LR12X	
Mounting	● Quasi-flush	◐ Non-flush	● Quasi-flush	◐ Non-flush
Sensing distance	4mm	8mm	4mm	8mm



Output	NPN NO	LR12XBF04DNOY	LR12XBN08DNOY	LR12XBF04DNOY-E2	LR12XBN08DNOY-E2
	NPN NC	LR12XBF04DNKY	LR12XBN08DNKY	LR12XBF04DNKY-E2	LR12XBN08DNKY-E2
	NPN NO+NC	LR12XBF04DNRY	LR12XBN08DNRY	LR12XBF04DNRY-E2	LR12XBN08DNRY-E2
Output	PNP NO	LR12XBF04DPOY	LR12XBN08DPOY	LR12XBF04DPOY-E2	LR12XBN08DPOY-E2
	PNP NC	LR12XBF04DPCY	LR12XBN08DPCY	LR12XBF04DPCY-E2	LR12XBN08DPCY-E2
	PNP NO+NC	LR12XBF04DPRY	LR12XBN08DPRY	LR12XBF04DPRY-E2	LR12XBN08DPRY-E2

Technical Parameter				
Supply voltage	10...30 VDC	10...30 VDC	10...30 VDC	10...30 VDC
Switch point drift	<±10% Sr	<±10% Sr	<±10% Sr	<±10% Sr
Load current	<200mA	<200mA	<200mA	<200mA
Voltage drop	<2.5V	<2.5V	<2.5V	<2.5V
Consumption current	<15mA	<15mA	<15mA	<15mA
Hysteresis	1...20%	1...20%	1...20%	1...20%
Repeat accuracy	<3%	<3%	<3%	<3%
Frequency	800Hz	500Hz	800Hz	500Hz
Output indicator	Yellow LED	Yellow LED	Yellow LED	Yellow LED
Polarity protection	yes	yes	yes	yes
Dielectric strength	1000V/AC 50/60Hz 60s	1000V/AC 50/60Hz 60s	1000V/AC 50/60Hz 60s	1000V/AC 50/60Hz 60s
Short-circuit protection	yes	yes	yes	yes
Ambient temperature	-25...+70°C	-25...+70°C	-25...+70°C	-25...+70°C
Ambient moisture	35...95%	35...95%	35...95%	35...95%
Protection degree	IP67	IP67	IP67	IP67
Housing material	Nickel-copper alloy	Nickel-copper alloy	Nickel-copper alloy	Nickel-copper alloy
Connection	2m PVC Cable	2m PVC Cable	M12 Connector	M12 Connector
Certification	CE U _L	CE U _L	CE U _L	CE U _L

* Cable material and length can be customized



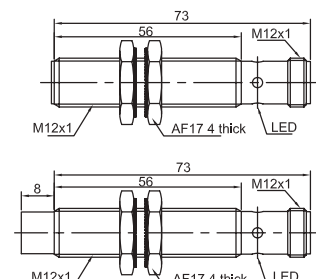
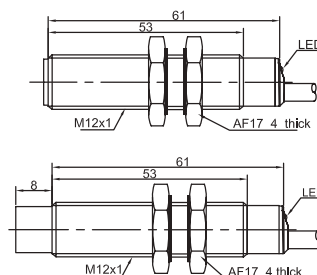
Item Code	LR12X		LR12X	
Mounting	● Quasi-flush	◐ Non-flush	● Quasi-flush	◐ Non-flush
Sensing distance	6mm	10mm	6mm	10mm



Output	NPN NO	LR12XCF06DNOY	LR12XCN10DNOY	LR12XCF06DNOY-E2	LR12XCN10DNOY-E2
	NPN NC	LR12XCF06DNCY	LR12XCN10DNCY	LR12XCF06DNCY-E2	LR12XCN10DNCY-E2
Output	PNP NO	LR12XCF06DPOY	LR12XCN10DPOY	LR12XCF06DPOY-E2	LR12XCN10DPOY-E2
	PNP NC	LR12XCF06DPCY	LR12XCN10DPCY	LR12XCF06DPCY-E2	LR12XCN10DPCY-E2

Technical Parameter				
Supply voltage	10...30 VDC	10...30 VDC	10...30 VDC	10...30 VDC
Switch point drift	< ±10% Sr	< ±10% Sr	< ±10% Sr	< ±10% Sr
Load current	<200mA	<200mA	<200mA	<200mA
Voltage drop	<2.5V	<2.5V	<2.5V	<2.5V
Consumption current	<15mA	<15mA	<15mA	<15mA
Hysteresis	1...20%	1...20%	1...20%	1...20%
Repeat accuracy	<3%	<3%	<3%	<3%
Frequency	500Hz	300Hz	500Hz	300Hz
Output indicator	Yellow LED	Yellow LED	Yellow LED	Yellow LED
Polarity protection	yes	yes	yes	yes
Dielectric strength	1000V/AC 50/60Hz 60s	1000V/AC 50/60Hz 60s	1000V/AC 50/60Hz 60s	1000V/AC 50/60Hz 60s
Short-circuit protection	yes	yes	yes	yes
Ambient temperature	-25...+70°C	-25...+70°C	-25...+70°C	-25...+70°C
Ambient moisture	35...95%	35...95%	35...95%	35...95%
Protection degree	IP67	IP67	IP67	IP67
Housing material	Nickel-copper alloy	Nickel-copper alloy	Nickel-copper alloy	Nickel-copper alloy
Connection	2m PVC Cable	2m PVC Cable	M12 Connector	M12 Connector
Certification	CE U _L	CE U _L	CE U _L	CE U _L

* Cable material and length can be customized



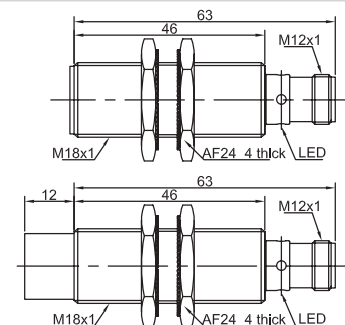
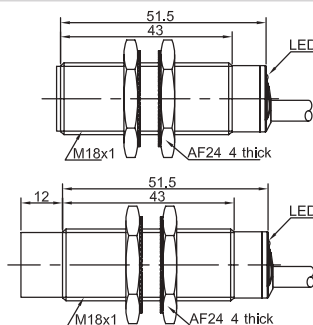
Item Code	LR18X		LR18X	
Mounting	● Quasi-flush	◐ Non-flush	● Quasi-flush	◐ Non-flush
Sensing distance	8mm	12mm	8mm	12mm



Output	NPN NO	LR18XBF08DNOY	LR18XBN12DNOY	LR18XBF08DNOY-E2	LR18XBN12DNOY-E2
	NPN NC	LR18XBF08DNKY	LR18XBN12DNKY	LR18XBF08DNKY-E2	LR18XBN12DNKY-E2
	NPN NO+NC	LR18XBF08DNRY	LR18XBN12DNRY	LR18XBF08DNRY-E2	LR18XBN12DNRY-E2
Output	PNP NO	LR18XBF08DPOY	LR18XBN12DPOY	LR18XBF08DPOY-E2	LR18XBN12DPOY-E2
	PNP NC	LR18XBF08DPCY	LR18XBN12DPCY	LR18XBF08DPCY-E2	LR18XBN12DPCY-E2
	PNP NO+NC	LR18XBF08DPY	LR18XBN12DPY	LR18XBF08DPY-E2	LR18XBN12DPY-E2

Technical Parameter				
Supply voltage	10...30 VDC	10...30 VDC	10...30 VDC	10...30 VDC
Switch point drift	< ±10% Sr	< ±10% Sr	< ±10% Sr	< ±10% Sr
Load current	<200mA	<200mA	<200mA	<200mA
Voltage drop	<2.5V	<2.5V	<2.5V	<2.5V
Consumption current	<15mA	<15mA	<15mA	<15mA
Hysteresis	1...20%	1...20%	1...20%	1...20%
Repeat accuracy	<3%	<3%	<3%	<3%
Frequency	400Hz	200Hz	400Hz	200Hz
Output indicator	Yellow LED	Yellow LED	Yellow LED	Yellow LED
Polarity protection	yes	yes	yes	yes
Dielectric strength	1000V/AC 50/60Hz 60s	1000V/AC 50/60Hz 60s	1000V/AC 50/60Hz 60s	1000V/AC 50/60Hz 60s
Short-circuit protection	yes	yes	yes	yes
Ambient temperature	-25...+70°C	-25...+70°C	-25...+70°C	-25...+70°C
Ambient moisture	35...95%	35...95%	35...95%	35...95%
Protection degree	IP67	IP67	IP67	IP67
Housing material	Nickel-copper alloy	Nickel-copper alloy	Nickel-copper alloy	Nickel-copper alloy
Connection	2m PVC Cable	2m PVC Cable	M12 Connector	M12 Connector
Certification	CE U _L	CE U _L	CE U _L	CE U _L

* Cable material and length can be customized



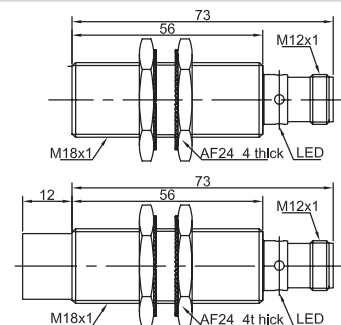
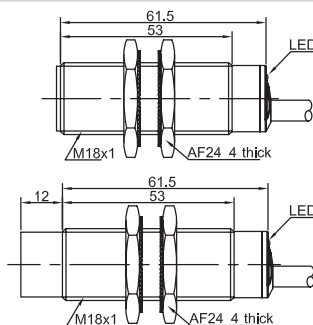
Item Code	LR18X		LR18X	
Mounting	● Quasi-flush	◐ Non-flush	● Quasi-flush	◐ Non-flush
Sensing distance	12mm	20mm	12mm	20mm



Output	NPN NO	LR18XCF12DNOY	LR18XCN20DNOY	LR18XCF12DNOY-E2	LR18XCN20DNOY-E2
	NPN NC	LR18XCF12DNCY	LR18XCN20DNCY	LR18XCF12DNCY-E2	LR18XCN20DNCY-E2
Output	PNP NO	LR18XCF12DPOY	LR18XCN20DPOY	LR18XCF12DPOY-E2	LR18XCN20DPOY-E2
	PNP NC	LR18XCF12DPCY	LR18XCN20DPCY	LR18XCF12DPCY-E2	LR18XCN20DPCY-E2

Technical Parameter				
Supply voltage	10...30 VDC	10...30 VDC	10...30 VDC	10...30 VDC
Switch point drift	< ±10% Sr	< ±10% Sr	< ±10% Sr	< ±10% Sr
Load current	<200mA	<200mA	<200mA	<200mA
Voltage drop	<2.5V	<2.5V	<2.5V	<2.5V
Consumption current	<15mA	<15mA	<15mA	<15mA
Hysteresis	1...20%	1...20%	1...20%	1...20%
Repeat accuracy	<3%	<3%	<3%	<3%
Frequency	300Hz	150Hz	300Hz	150Hz
Output indicator	Yellow LED	Yellow LED	Yellow LED	Yellow LED
Polarity protection	yes	yes	yes	yes
Dielectric strength	1000V/AC 50/60Hz 60s	1000V/AC 50/60Hz 60s	1000V/AC 50/60Hz 60s	1000V/AC 50/60Hz 60s
Short-circuit protection	yes	yes	yes	yes
Ambient temperature	-25...+70°C	-25...+70°C	-25...+70°C	-25...+70°C
Ambient moisture	35...95%	35...95%	35...95%	35...95%
Protection degree	IP67	IP67	IP67	IP67
Housing material	Nickel-copper alloy	Nickel-copper alloy	Nickel-copper alloy	Nickel-copper alloy
Connection	2m PVC Cable	2m PVC Cable	M12 Connector	M12 Connector
Certification	CE U _L	CE U _L	CE U _L	CE U _L

* Cable material and length can be customized



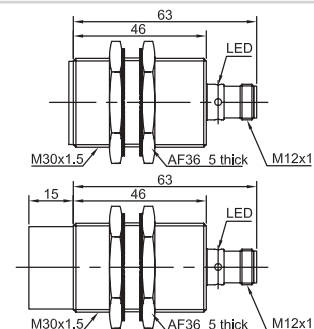
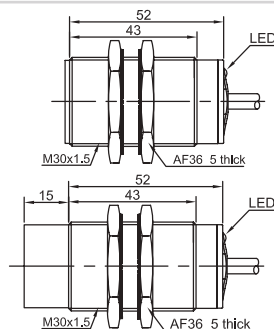
Item Code	LR30X		LR30X	
Mounting	● Quasi-flush	◐ Non-flush	● Quasi-flush	◐ Non-flush
Sensing distance	15mm	22mm	15mm	22mm



Output	NPN NO	LR30XBF15DNOY	LR30XBN22DNOY	LR30XBF15DNOY-E2	LR30XBN22DNOY-E2
	NPN NC	LR30XBF15DNKY	LR30XBN22DNKY	LR30XBF15DNKY-E2	LR30XBN22DNKY-E2
	NPN NO+NC	LR30XBF15DNRY	LR30XBN22DNRY	LR30XBF15DNRY-E2	LR30XBN22DNRY-E2
Output	PNP NO	LR30XBF15DPOY	LR30XBN22DPOY	LR30XBF15DPOY-E2	LR30XBN22DPOY-E2
	PNP NC	LR30XBF15DPCY	LR30XBN22DPCY	LR30XBF15DPCY-E2	LR30XBN22DPCY-E2
	PNP NO+NC	LR30XBF15DPY	LR30XBN22DPY	LR30XBF15DPY-E2	LR30XBN22DPY-E2

Technical Parameter				
Supply voltage	10...30 VDC	10...30 VDC	10...30 VDC	10...30 VDC
Switch point drift	< ±10% Sr	< ±10% Sr	< ±10% Sr	< ±10% Sr
Load current	<200mA	<200mA	<200mA	<200mA
Voltage drop	<2.5V	<2.5V	<2.5V	<2.5V
Consumption current	<15mA	<15mA	<15mA	<15mA
Hysteresis	1...20%	1...20%	1...20%	1...20%
Repeat accuracy	<3%	<3%	<3%	<3%
Frequency	300Hz	150Hz	300Hz	150Hz
Output indicator	Yellow LED	Yellow LED	Yellow LED	Yellow LED
Polarity protection	yes	yes	yes	yes
Dielectric strength	1000V/AC 50/60Hz 60s	1000V/AC 50/60Hz 60s	1000V/AC 50/60Hz 60s	1000V/AC 50/60Hz 60s
Short-circuit protection	yes	yes	yes	yes
Ambient temperature	-25...+70°C	-25...+70°C	-25...+70°C	-25...+70°C
Ambient moisture	35...95%	35...95%	35...95%	35...95%
Protection degree	IP67	IP67	IP67	IP67
Housing material	Nickel-copper alloy	Nickel-copper alloy	Nickel-copper alloy	Nickel-copper alloy
Connection	2m PVC Cable	2m PVC Cable	M12 Connector	M12 Connector
Certification	CE U _L	CE U _L	CE U _L	CE U _L

* Cable material and length can be customized



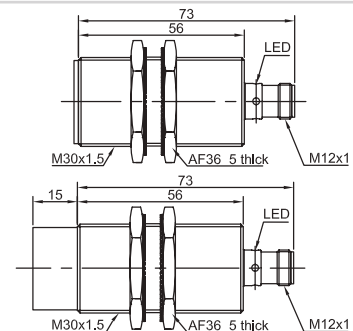
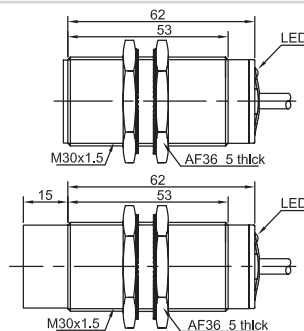
Item Code	LR30X		LR30X	
Mounting	● Quasi-flush	◐ Non-flush	● Quasi-flush	◐ Non-flush
Sensing distance	22mm	40mm	22mm	40mm



Output	NPN NO	LR30XCF22DNOY	LR30XCN40DNOY	LR30XCF22DNOY-E2	LR30XCN40DNOY-E2
	NPN NC	LR30XCF22DNKY	LR30XCN40DNKY	LR30XCF22DNKY-E2	LR30XCN40DNKY-E2
Output	PNP NO	LR30XCF22DPOY	LR30XCN40DPOY	LR30XCF22DPOY-E2	LR30XCN40DPOY-E2
	PNP NC	LR30XCF22DPCY	LR30XCN40DPCY	LR30XCF22DPCY-E2	LR30XCN40DPCY-E2

Technical Parameter				
Supply voltage	10...30 VDC	10...30 VDC	10...30 VDC	10...30 VDC
Switch point drift	< ±10% Sr	< ±10% Sr	< ±10% Sr	< ±10% Sr
Load current	<200mA	<200mA	<200mA	<200mA
Voltage drop	<2.5V	<2.5V	<2.5V	<2.5V
Consumption current	<15mA	<15mA	<15mA	<15mA
Hysteresis	1...20%	1...20%	1...20%	1...20%
Repeat accuracy	<3%	<3%	<3%	<3%
Frequency	100Hz	50Hz	100Hz	50Hz
Output indicator	Yellow LED	Yellow LED	Yellow LED	Yellow LED
Polarity protection	yes	yes	yes	yes
Dielectric strength	1000V/AC 50/60Hz 60s	1000V/AC 50/60Hz 60s	1000V/AC 50/60Hz 60s	1000V/AC 50/60Hz 60s
Short-circuit protection	yes	yes	yes	yes
Ambient temperature	-25...+70°C	-25...+70°C	-25...+70°C	-25...+70°C
Ambient moisture	35...95%	35...95%	35...95%	35...95%
Protection degree	IP67	IP67	IP67	IP67
Housing material	Nickel-copper alloy	Nickel-copper alloy	Nickel-copper alloy	Nickel-copper alloy
Connection	2m PVC Cable	2m PVC Cable	M12 Connector	M12 Connector
Certification	CE U _L	CE U _L	CE U _L	CE U _L

* Cable material and length can be customized



Item Code	LR12X		LR12X	
Mounting	● Quasi-flush	◐ Non-flush	● Quasi-flush	◐ Non-flush
Sensing distance	4mm	8mm	4mm	8mm

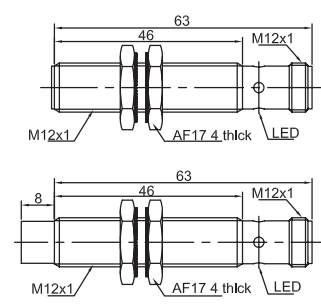
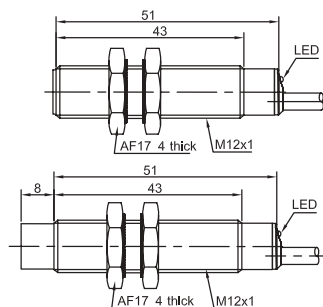


Output	DC 2 Wires NO	LR12XBF04DLOY	LR12XBN08DLOY	LR12XBF04DLOY-E2	LR12XBN08DLOY-E2
	DC 2 Wires NC	LR12XBF04DLCY	LR12XBN08DLCY	LR12XBF04DLCY-E2	LR12XBN08DLCY-E2

Technical Parameter

Supply voltage	10...30 VDC	10...30 VDC	10...30 VDC	10...30 VDC
Switch point drift	< ±10% Sr	< ±10% Sr	< ±10% Sr	< ±10% Sr
Load current	<100mA	<100mA	<100mA	<100mA
Voltage drop	<6V	<6V	<6V	<6V
Leakage current	<1mA	<1mA	<1mA	<1mA
Hysteresis	1...20%	1...20%	1...20%	1...20%
Repeat accuracy	<3%	<3%	<3%	<3%
Frequency	800Hz	500Hz	800Hz	500Hz
Output indicator	Yellow LED	Yellow LED	Yellow LED	Yellow LED
Polarity protection	yes	yes	yes	yes
Dielectric strength	1000V/AC 50/60Hz 60s	1000V/AC 50/60Hz 60s	1000V/AC 50/60Hz 60s	1000V/AC 50/60Hz 60s
Short-circuit protection	yes	yes	yes	yes
Ambient temperature	-25...+70°C	-25...+70°C	-25...+70°C	-25...+70°C
Ambient moisture	35...95%	35...95%	35...95%	35...95%
Protection degree	IP67	IP67	IP67	IP67
Housing material	Nickel-copper alloy	Nickel-copper alloy	Nickel-copper alloy	Nickel-copper alloy
Connection	2m PVC Cable	2m PVC Cable	M12 Connector	M12 Connector
Certification	CE U _L	CE U _L	CE U _L	CE U _L

* Cable material and length can be customized



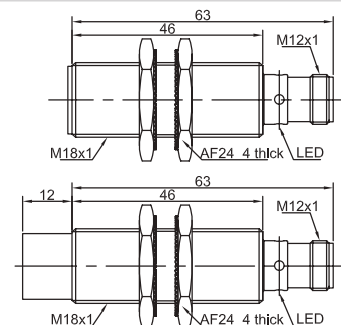
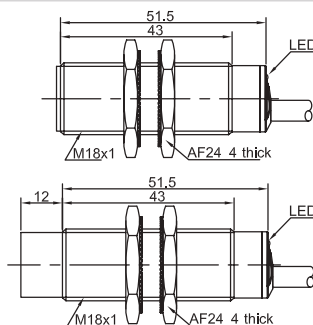
Item Code	LR18X		LR18X	
Mounting	● Quasi-flush	◐ Non-flush	● Quasi-flush	◐ Non-flush
Sensing distance	8mm	12mm	8mm	12mm



Output	DC 2 Wires NO	LR18XBF08DLOY	LR18XBN12DLOY	LR18XBF08DLOY-E2	LR18XBN12DLOY-E2
	DC 2 Wires NC	LR18XBF08DLCY	LR18XBN12DLCY	LR18XBF08DLCY-E2	LR18XBN12DLCY-E2

Technical Parameter				
Supply voltage	10...30 VDC	10...30 VDC	10...30 VDC	10...30 VDC
Switch point drift	< ±10% Sr	< ±10% Sr	< ±10% Sr	< ±10% Sr
Load current	<100mA	<100mA	<100mA	<100mA
Voltage drop	<6V	<6V	<6V	<6V
Leakage current	<1mA	<1mA	<1mA	<1mA
Hysteresis	1...20%	1...20%	1...20%	1...20%
Repeat accuracy	<3%	<3%	<3%	<3%
Frequency	400Hz	200Hz	400Hz	200Hz
Output indicator	Yellow LED	Yellow LED	Yellow LED	Yellow LED
Polarity protection	yes	yes	yes	yes
Dielectric strength	1000V/AC 50/60Hz 60s	1000V/AC 50/60Hz 60s	1000V/AC 50/60Hz 60s	1000V/AC 50/60Hz 60s
Short-circuit protection	yes	yes	yes	yes
Ambient temperature	-25...+70°C	-25...+70°C	-25...+70°C	-25...+70°C
Ambient moisture	35...95%	35...95%	35...95%	35...95%
Protection degree	IP67	IP67	IP67	IP67
Housing material	Nickel-copper alloy	Nickel-copper alloy	Nickel-copper alloy	Nickel-copper alloy
Connection	2m PVC Cable	2m PVC Cable	M12 Connector	M12 Connector
Certification	CE U _L	CE U _L	CE U _L	CE U _L

* Cable material and length can be customized



Item Code	LR30X		LR30X	
Mounting	● Quasi-flush	◐ Non-flush	● Quasi-flush	◐ Non-flush
Sensing distance	15mm	22mm	15mm	22mm

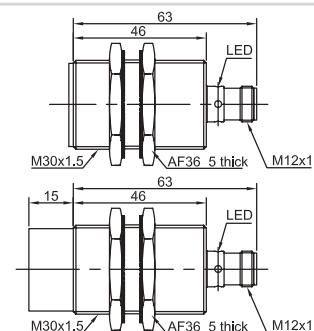
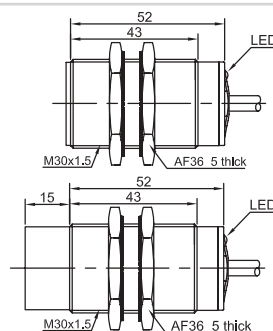


Output	DC 2 Wires NO	LR30XBF15DLOY	LR30XBN22DLOY	LR30XBF15DLOY-E2	LR30XBN22DLOY-E2
	DC 2 Wires NC	LR30XBF15DLCY	LR30XBN22DLCY	LR30XBF15DLCY-E2	LR30XBN22DLCY-E2

Technical Parameter

Supply voltage	10...30 VDC	10...30 VDC	10...30 VDC	10...30 VDC
Switch point drift	< ±10% Sr	< ±10% Sr	< ±10% Sr	< ±10% Sr
Load current	<100mA	<100mA	<100mA	<100mA
Voltage drop	<6V	<6V	<6V	<6V
Leakage current	<1mA	<1mA	<1mA	<1mA
Hysteresis	1...20%	1...20%	1...20%	1...20%
Repeat accuracy	<3%	<3%	<3%	<3%
Frequency	300Hz	150Hz	300Hz	150Hz
Output indicator	Yellow LED	Yellow LED	Yellow LED	Yellow LED
Polarity protection	yes	yes	yes	yes
Dielectric strength	1000V/AC 50/60Hz 60s	1000V/AC 50/60Hz 60s	1000V/AC 50/60Hz 60s	1000V/AC 50/60Hz 60s
Short-circuit protection	yes	yes	yes	yes
Ambient temperature	-25...+70°C	-25...+70°C	-25...+70°C	-25...+70°C
Ambient moisture	35...95%	35...95%	35...95%	35...95%
Protection degree	IP67	IP67	IP67	IP67
Housing material	Nickel-copper alloy	Nickel-copper alloy	Nickel-copper alloy	Nickel-copper alloy
Connection	2m PVC Cable	2m PVC Cable	M12 Connector	M12 Connector
Certification	CE U _L	CE U _L	CE U _L	CE U _L

* Cable material and length can be customized



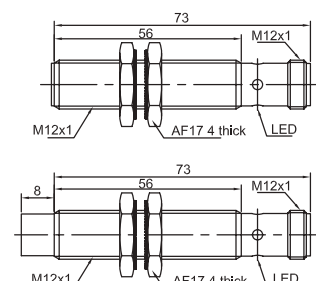
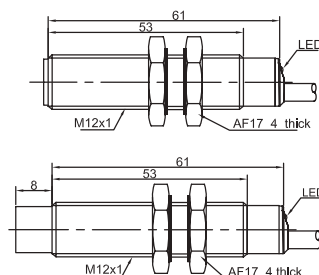
Item Code	LR12X		LR12X	
Mounting	● Quasi-flush	◐ Non-flush	● Quasi-flush	◐ Non-flush
Sensing distance	4mm	8mm	4mm	8mm



Output	AC 2 Wires NO	LR12XCF04ATOY	LR12XCN08ATOY	LR12XCF04ATOY-E2	LR12XCN08ATOY-E2
	AC 2 Wires NC	LR12XCF04ATCY	LR12XCN08ATCY	LR12XCF04ATCY-E2	LR12XCN08ATCY-E2

Technical Parameter				
Supply voltage	20...250 VAC	20...250 VAC	20...250 VAC	20...250 VAC
Switch point drift	< ±10% Sr	< ±10% Sr	< ±10% Sr	< ±10% Sr
Load current	<200mA	<200mA	<200mA	<200mA
Voltage drop	<10V	<10V	<10V	<10V
Leakage current	<3mA	<3mA	<3mA	<3mA
Hysteresis	1...20%	1...20%	1...20%	1...20%
Repeat accuracy	<3%	<3%	<3%	<3%
Frequency	20Hz	20Hz	20Hz	20Hz
Output indicator	Yellow LED	Yellow LED	Yellow LED	Yellow LED
Polarity protection
Dielectric strength	2000V/AC 50/60Hz 60s	2000V/AC 50/60Hz 60s	2000V/AC 50/60Hz 60s	2000V/AC 50/60Hz 60s
Short-circuit protection
Ambient temperature	-25...+70°C	-25...+70°C	-25...+70°C	-25...+70°C
Ambient moisture	35...95%	35...95%	35...95%	35...95%
Protection degree	IP67	IP67	IP67	IP67
Housing material	Nickel-copper alloy	Nickel-copper alloy	Nickel-copper alloy	Nickel-copper alloy
Connection	2m PVC Cable	2m PVC Cable	M12 Connector	M12 Connector
Certification	CE U _L	CE U _L	CE U _L	CE U _L

* Cable material and length can be customized



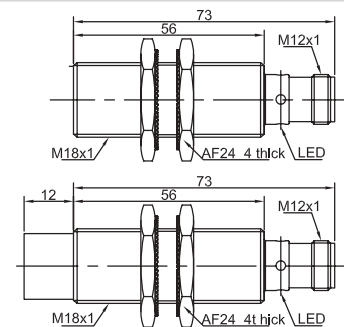
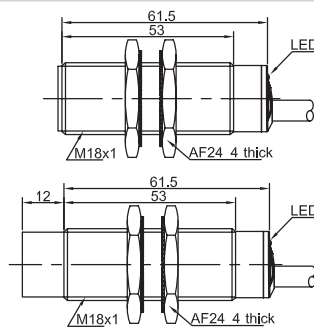
Item Code	LR18X		LR18X	
Mounting	● Quasi-flush	◐ Non-flush	● Quasi-flush	◐ Non-flush
Sensing distance	8mm	12mm	8mm	12mm



Output	AC 2 Wires NO	LR18XCF08ATOY	LR18XCN12ATOY	LR18XCF08ATOY-E2	LR18XCN12ATOY-E2
	AC 2 Wires NC	LR18XCF08ATCY	LR18XCN12ATCY	LR18XCF08ATCY-E2	LR18XCN12ATCY-E2

Technical Parameter				
Supply voltage	20...250 VAC	20...250 VAC	20...250 VAC	20...250 VAC
Switch point drift	< ±10% Sr	< ±10% Sr	< ±10% Sr	< ±10% Sr
Load current	<300mA	<300mA	<300mA	<300mA
Voltage drop	<10V	<10V	<10V	<10V
Leakage current	<3mA	<3mA	<3mA	<3mA
Hysteresis	1...20%	1...20%	1...20%	1...20%
Repeat accuracy	<3%	<3%	<3%	<3%
Frequency	20Hz	20Hz	20Hz	20Hz
Output indicator	Yellow LED	Yellow LED	Yellow LED	Yellow LED
Polarity protection
Dielectric strength	2000V/AC 50/60Hz 60s	2000V/AC 50/60Hz 60s	2000V/AC 50/60Hz 60s	2000V/AC 50/60Hz 60s
Short-circuit protection
Ambient temperature	-25...+70°C	-25...+70°C	-25...+70°C	-25...+70°C
Ambient moisture	35...95%	35...95%	35...95%	35...95%
Protection degree	IP67	IP67	IP67	IP67
Housing material	Nickel-copper alloy	Nickel-copper alloy	Nickel-copper alloy	Nickel-copper alloy
Connection	2m PVC Cable	2m PVC Cable	M12 Connector	M12 Connector
Certification	CE U _L	CE U _L	CE U _L	CE U _L

* Cable material and length can be customized



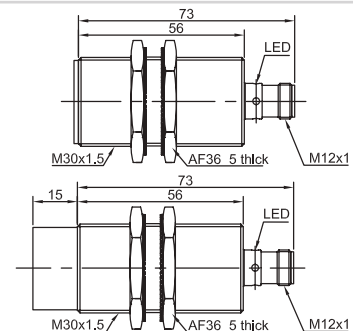
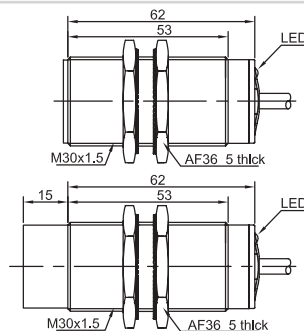
Item Code	LR30X		LR30X	
Mounting	● Quasi-flush	◐ Non-flush	● Quasi-flush	◐ Non-flush
Sensing distance	15mm	22mm	15mm	22mm



Output	AC 2 Wires NO	LR30XCF15ATOY	LR30XCN22ATOY	LR30XCF15ATOY-E2	LR30XCN22ATOY-E2
	AC 2 Wires NC	LR30XCF15ATCY	LR30XCN22ATCY	LR30XCF15ATCY-E2	LR30XCN22ATCY-E2

Technical Parameter				
Supply voltage	20...250 VAC	20...250 VAC	20...250 VAC	20...250 VAC
Switch point drift	< ±10% Sr	< ±10% Sr	< ±10% Sr	< ±10% Sr
Load current	<300mA	<300mA	<300mA	<300mA
Voltage drop	<10V	<10V	<10V	<10V
Leakage current	<3mA	<3mA	<3mA	<3mA
Hysteresis	1...20%	1...20%	1...20%	1...20%
Repeat accuracy	<3%	<3%	<3%	<3%
Frequency	20Hz	20Hz	20Hz	20Hz
Output indicator	Yellow LED	Yellow LED	Yellow LED	Yellow LED
Polarity protection
Dielectric strength	2000V/AC 50/60Hz 60s	2000V/AC 50/60Hz 60s	2000V/AC 50/60Hz 60s	2000V/AC 50/60Hz 60s
Short-circuit protection
Ambient temperature	-25...+70°C	-25...+70°C	-25...+70°C	-25...+70°C
Ambient moisture	35...95%	35...95%	35...95%	35...95%
Protection degree	IP67	IP67	IP67	IP67
Housing material	Nickel-copper alloy	Nickel-copper alloy	Nickel-copper alloy	Nickel-copper alloy
Connection	2m PVC Cable	2m PVC Cable	M12 Connector	M12 Connector
Certification	CE U _L	CE U _L	CE U _L	CE U _L

* Cable material and length can be customized



Item Code	LR18X		LR18X	
Mounting	● Quasi-flush	◐ Non-flush	● Quasi-flush	◐ Non-flush
Sensing distance	8mm	12mm	8mm	12mm

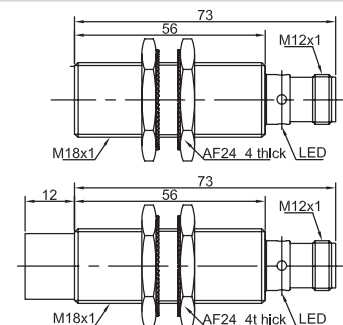
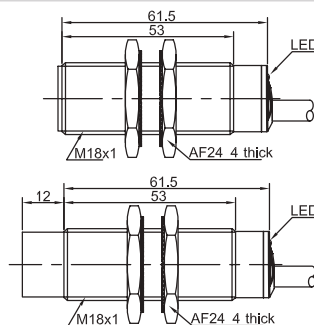


Output	DC/AC 2 Wires NO	LR18XCF08SBOY	LR18XCN12SBOY	LR18XCF08SBOY-E2	LR18XCN12SBOY-E2
	DC/AC 2 Wires NC	LR18XCF08SBCY	LR18XCN12SBCY	LR18XCF08SBCY-E2	LR18XCN12SBCY-E2

Technical Parameter

Supply voltage	20-250VAC/DC		20-250VAC/DC	
Switch point drift	$\pm 10\% S_r$		$\pm 10\% S_r$	
Load current	AC: <math>< 300\text{mA}</math>, DC: <math>< 100\text{mA}</math>		AC: <math>< 300\text{mA}</math>, DC: <math>< 100\text{mA}</math>	
Voltage drop	AC: <math>< 10\text{V}</math>, DC: <math>< 8\text{V}</math>		AC: <math>< 10\text{V}</math>, DC: <math>< 8\text{V}</math>	
Leakage current	AC: <math>< 3\text{mA}</math>, DC: <math>< 1\text{mA}</math>		AC: <math>< 3\text{mA}</math>, DC: <math>< 1\text{mA}</math>	
Hysteresis	1...20%		1...20%	
Repeat accuracy	<math>< 3\%</math>		<math>< 3\%</math>	
Frequency	AC: 20Hz, DC: 400Hz		AC: 20Hz, DC: 400Hz	
Output indicator	Yellow LED	Yellow LED	Yellow LED	Yellow LED
Polarity protection
Dielectric strength	2000V/AC 50/60Hz 60s	2000V/AC 50/60Hz 60s	2000V/AC 50/60Hz 60s	2000V/AC 50/60Hz 60s
Short-circuit protection
Ambient temperature	-25...+70°C	-25...+70°C	-25...+70°C	-25...+70°C
Ambient moisture	35...95%	35...95%	35...95%	35...95%
Protection degree	IP67	IP67	IP67	IP67
Housing material	Nickel-copper alloy	Nickel-copper alloy	Nickel-copper alloy	Nickel-copper alloy
Connection	2m PVC Cable	2m PVC Cable	M12 Connector	M12 Connector
Certification	CE	CE	CE	CE

* Cable material and length can be customized



Item Code	LR30X		LR30X	
Mounting	● Quasi-flush	◐ Non-flush	● Quasi-flush	◐ Non-flush
Sensing distance	15mm	22mm	15mm	22mm

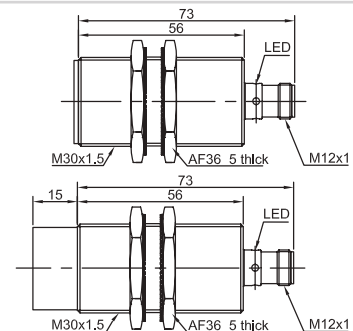
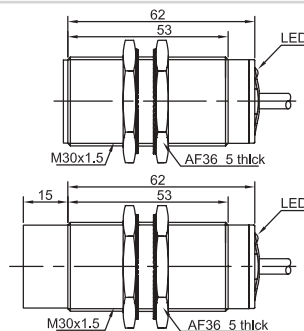


Output	DC/AC 2 Wires NO	LR30XCF15SBOY	LR30XCN22SBOY	LR30XCF15SBOY-E2	LR30XCN22SBOY-E2
	DC/AC 2 Wires NC	LR30XCF15SBCY	LR30XCN22SBCY	LR30XCF15SBCY-E2	LR30XCN22SBCY-E2

Technical Parameter

Supply voltage	20-250VAC/DC		20-250VAC/DC	
Switch point drift	$\pm 10\%$ Sr		$\pm 10\%$ Sr	
Load current	AC: <300mA, DC: <100mA		AC: <300mA, DC: <100mA	
Voltage drop	AC:<10V, DC:<8V		AC:<10V, DC:<8V	
Leakage current	AC: <3mA, DC: <1mA		AC: <3mA, DC: <1mA	
Hysteresis	1...20%		1...20%	
Repeat accuracy	<3%		<3%	
Frequency	AC: 20Hz, DC: 300Hz		AC: 20Hz, DC: 300Hz	
Output indicator	Yellow LED	Yellow LED	Yellow LED	Yellow LED
Polarity protection
Dielectric strength	2000V/AC 50/60Hz 60s	2000V/AC 50/60Hz 60s	2000V/AC 50/60Hz 60s	2000V/AC 50/60Hz 60s
Short-circuit protection
Ambient temperature	-25...+70°C	-25...+70°C	-25...+70°C	-25...+70°C
Ambient moisture	35...95%	35...95%	35...95%	35...95%
Protection degree	IP67	IP67	IP67	IP67
Housing material	Nickel-copper alloy	Nickel-copper alloy	Nickel-copper alloy	Nickel-copper alloy
Connection	2m PVC Cable	2m PVC Cable	M12 Connector	M12 Connector
Certification	CE	CE	CE	CE

* Cable material and length can be customized

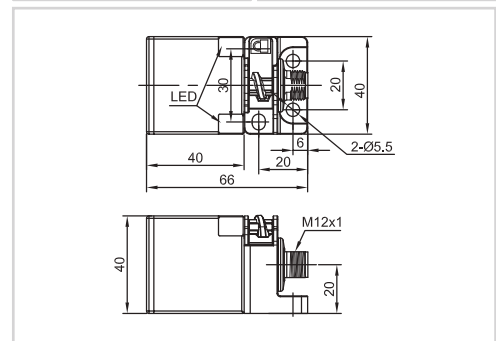
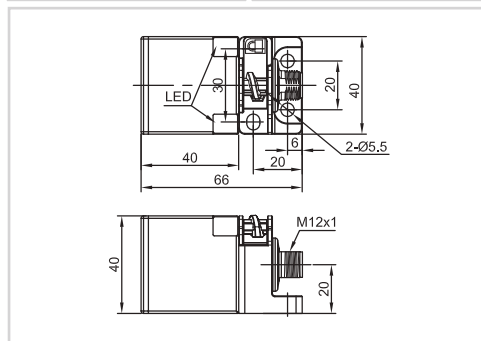


Item Code	LE40SZ		LE40SZ	
Mounting	● Quasi-flush	◐ Non-flush	● Quasi-flush	◐ Non-flush
Sensing distance	25mm	40mm	25mm	40mm



Output	NPN NO	LE40SZSF25DNOY-E2	LE40SZSN40DNOY-E2	LE40SZSF25ENOY-E2	LE40SZSN40ENOY-E2
	NPN NC	LE40SZSF25DNCY-E2	LE40SZSN40DNCY-E2	LE40SZSF25ENCY-E2	LE40SZSN40ENCY-E2
	NPN NO+NC	LE40SZSF25DNRY-E2	LE40SZSN40DNRY-E2	LE40SZSF25ENRY-E2	LE40SZSN40ENRY-E2
Output	PNP NO	LE40SZSF25DPOY-E2	LE40SZSN40DPOY-E2	LE40SZSF25EPOY-E2	LE40SZSN40EPOY-E2
	PNP NC	LE40SZSF25DPCY-E2	LE40SZSN40DPCY-E2	LE40SZSF25EPCY-E2	LE40SZSN40EPCY-E2
	PNP NO+NC	LE40SZSF25DPRY-E2	LE40SZSN40DPRY-E2	LE40SZSF25EPRY-E2	LE40SZSN40EPRY-E2

Technical Parameter				
Supply voltage	10...30 VDC	10...30 VDC	10...60 VDC	10...60 VDC
Switch point drift	< ±10% Sr	< ±10% Sr	< ±10% Sr	< ±10% Sr
Load current	<200mA	<200mA	<200mA	<200mA
Voltage drop	<2.5V	<2.5V	<2.5V	<2.5V
Consumption current	<10mA	<10mA	<10mA	<10mA
Hysteresis	1...20%	1...20%	1...20%	1...20%
Repeat accuracy	<3%	<3%	<3%	<3%
Frequency	200Hz	100Hz	200Hz	100Hz
Output indicator	Yellow LED	Yellow LED	Yellow LED	Yellow LED
Polarity protection	yes	yes	yes	yes
Dielectric strength	1000V/AC 50/60Hz 60s	1000V/AC 50/60Hz 60s	1000V/AC 50/60Hz 60s	1000V/AC 50/60Hz 60s
Short-circuit protection	yes	yes	yes	yes
Ambient temperature	-25...+70°C	-25...+70°C	-25...+70°C	-25...+70°C
Ambient moisture	35...95%	35...95%	35...95%	35...95%
Protection degree	IP67	IP67	IP67	IP67
Housing material	PBT	PBT	PBT	PBT
Connection	M12 Connector	M12 Connector	M12 Connector	M12 Connector
Certification	CE	CE	CE	CE

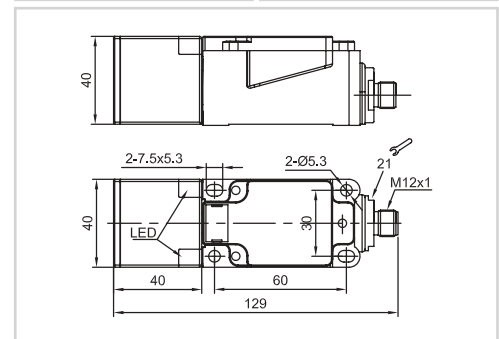
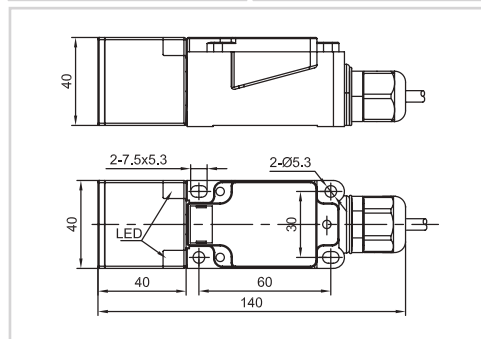


Item Code	LE40XZ		LE40XZ	
Mounting	● Quasi-flush	◐ Non-flush	● Quasi-flush	◐ Non-flush
Sensing distance	25mm	40mm	25mm	40mm



Output	NPN NO	LE40XZSF25DNOY-D	LE40XZSN40DNOY-D	LE40XZSF25DNOY-E2	LE40XZSN40DNOY-E2
	NPN NC	LE40XZSF25DNCY-D	LE40XZSN40DNCY-D	LE40XZSF25DNCY-E2	LE40XZSN40DNCY-E2
	NPN NO+NC	LE40XZSF25DNRY-D	LE40XZSN40DNRY-D	LE40XZSF25DNRY-E2	LE40XZSN40DNRY-E2
Output	PNP NO	LE40XZSF25DPOY-D	LE40XZSN40DPOY-D	LE40XZSF25DPOY-E2	LE40XZSN40DPOY-E2
	PNP NC	LE40XZSF25DPCY-D	LE40XZSN40DPCY-D	LE40XZSF25DPCY-E2	LE40XZSN40DPCY-E2
	PNP NO+NC	LE40XZSF25DPRY-D	LE40XZSN40DPRY-D	LE40XZSF25DPRY-E2	LE40XZSN40DPRY-E2

Technical Parameter				
Supply voltage	10...30 VDC	10...30 VDC	10...30 VDC	10...30 VDC
Switch point drift	< ±10% Sr	< ±10% Sr	< ±10% Sr	< ±10% Sr
Load current	<200mA	<200mA	<200mA	<200mA
Voltage drop	<2.5V	<2.5V	<2.5V	<2.5V
Consumption current	<10mA	<10mA	<10mA	<10mA
Hysteresis	1...20%	1...20%	1...20%	1...20%
Repeat accuracy	<3%	<3%	<3%	<3%
Frequency	200Hz	100Hz	200Hz	100Hz
Output indicator	Yellow LED	Yellow LED	Yellow LED	Yellow LED
Polarity protection	yes	yes	yes	yes
Dielectric strength	1000V/AC 50/60Hz 60s	1000V/AC 50/60Hz 60s	1000V/AC 50/60Hz 60s	1000V/AC 50/60Hz 60s
Short-circuit protection	yes	yes	yes	yes
Ambient temperature	-25...+70°C	-25...+70°C	-25...+70°C	-25...+70°C
Ambient moisture	35...95%	35...95%	35...95%	35...95%
Protection degree	IP67	IP67	IP67	IP67
Housing material	PBT	PBT	PBT	PBT
Connection	Terminal connect	Terminal connect	M12 Connector	M12 Connector
Certification	CE	CE	CE	CE

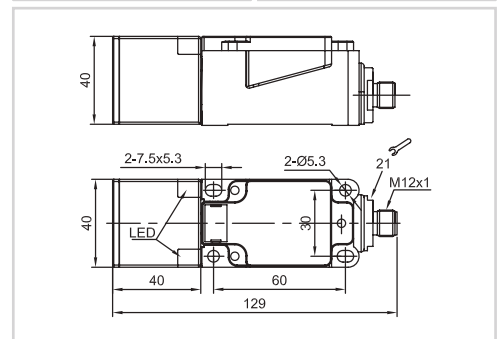
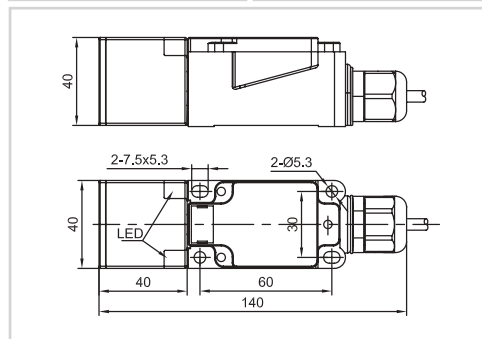


Item Code	LE40XZ		LE40XZ	
Mounting	● Quasi-flush	◐ Non-flush	● Quasi-flush	◐ Non-flush
Sensing distance	25mm	40mm	25mm	40mm



Output	NPN NO	LE40XZSF25ENOY-D	LE40XZSN40ENOY-D	LE40XZSF25ENOY-E2	LE40XZSN40ENOY-E2
	NPN NC	LE40XZSF25ENCY-D	LE40XZSN40ENCY-D	LE40XZSF25ENCY-E2	LE40XZSN40ENCY-E2
	NPN NO+NC	LE40XZSF25ENRY-D	LE40XZSN40ENRY-D	LE40XZSF25ENRY-E2	LE40XZSN40ENRY-E2
Output	PNP NO	LE40XZSF25EPOY-D	LE40XZSN40EPOY-D	LE40XZSF25EPOY-E2	LE40XZSN40EPOY-E2
	PNP NC	LE40XZSF25EPCY-D	LE40XZSN40EPCY-D	LE40XZSF25EPCY-E2	LE40XZSN40EPCY-E2
	PNP NO+NC	LE40XZSF25EPRY-D	LE40XZSN40EPRY-D	LE40XZSF25EPRY-E2	LE40XZSN40EPRY-E2

Technical Parameter				
Supply voltage	10...60 VDC	10...60 VDC	10...60 VDC	10...60 VDC
Switch point drift	< ±10% Sr	< ±10% Sr	< ±10% Sr	< ±10% Sr
Load current	<200mA	<200mA	<200mA	<200mA
Voltage drop	<2.5V	<2.5V	<2.5V	<2.5V
Consumption current	<10mA	<10mA	<10mA	<10mA
Hysteresis	1...20%	1...20%	1...20%	1...20%
Repeat accuracy	<3%	<3%	<3%	<3%
Frequency	200Hz	100Hz	200Hz	100Hz
Output indicator	Yellow LED	Yellow LED	Yellow LED	Yellow LED
Polarity protection	yes	yes	yes	yes
Dielectric strength	1000V/AC 50/60Hz 60s	1000V/AC 50/60Hz 60s	1000V/AC 50/60Hz 60s	1000V/AC 50/60Hz 60s
Short-circuit protection	yes	yes	yes	yes
Ambient temperature	-25...+70°C	-25...+70°C	-25...+70°C	-25...+70°C
Ambient moisture	35...95%	35...95%	35...95%	35...95%
Protection degree	IP67	IP67	IP67	IP67
Housing material	PBT	PBT	PBT	PBT
Connection	Terminal connect	Terminal connect	M12 Connector	M12 Connector
Certification	CE	CE	CE	CE

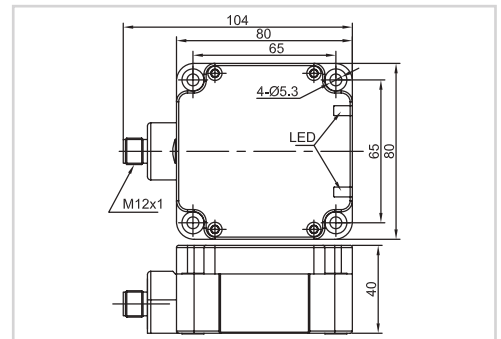
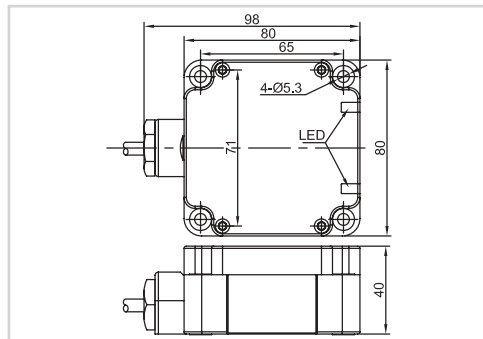


Item Code	LE80XZ		LE80XZ	
Mounting	● Quasi-flush	◐ Non-flush	● Quasi-flush	◐ Non-flush
Sensing distance	50mm	70mm	50mm	70mm



Output	NPN NO	LE80XZSF50DNOY-D	LE80XZSN70DNOY-D	LE80XZSF50DNOY-E2	LE80XZSN70DNOY-E2
	NPN NC	LE80XZSF50DNCY-D	LE80XZSN70DNCY-D	LE80XZSF50DNCY-E2	LE80XZSN70DNCY-E2
	NPN NO+NC	LE80XZSF50DNRY-D	LE80XZSN70DNRY-D	LE80XZSF50DNRY-E2	LE80XZSN70DNRY-E2
Output	PNP NO	LE80XZSF50DPOY-D	LE80XZSN70DPOY-D	LE80XZSF50DPOY-E2	LE80XZSN70DPOY-E2
	PNP NC	LE80XZSF50DPCY-D	LE80XZSN70DPCY-D	LE80XZSF50DPCY-E2	LE80XZSN70DPCY-E2
	PNP NO+NC	LE80XZSF50DPRY-D	LE80XZSN70DPRY-D	LE80XZSF50DPRY-E2	LE80XZSN70DPRY-E2

Technical Parameter				
Supply voltage	10...30 VDC	10...30 VDC	10...30 VDC	10...30 VDC
Switch point drift	< ±10% Sr	< ±10% Sr	< ±10% Sr	< ±10% Sr
Load current	<200mA	<200mA	<200mA	<200mA
Voltage drop	<2.5V	<2.5V	<2.5V	<2.5V
Consumption current	<10mA	<10mA	<10mA	<10mA
Hysteresis	1...20%	1...20%	1...20%	1...20%
Repeat accuracy	<3%	<3%	<3%	<3%
Frequency	50Hz	30Hz	50Hz	30Hz
Output indicator	Yellow LED	Yellow LED	Yellow LED	Yellow LED
Polarity protection	yes	yes	yes	yes
Dielectric strength	1000V/AC 50/60Hz 60s	1000V/AC 50/60Hz 60s	1000V/AC 50/60Hz 60s	1000V/AC 50/60Hz 60s
Short-circuit protection	yes	yes	yes	yes
Ambient temperature	-25...+70°C	-25...+70°C	-25...+70°C	-25...+70°C
Ambient moisture	35...95%	35...95%	35...95%	35...95%
Protection degree	IP67	IP67	IP67	IP67
Housing material	PBT	PBT	PBT	PBT
Connection	Terminal connect	Terminal connect	M12 Connector	M12 Connector
Certification	CE	CE	CE	CE

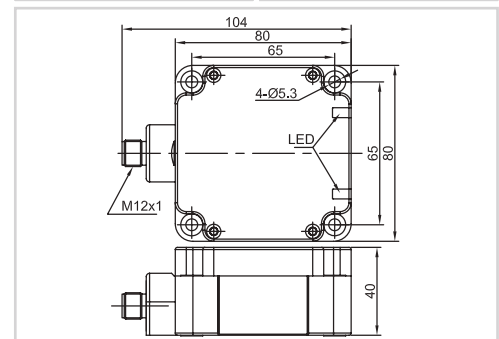
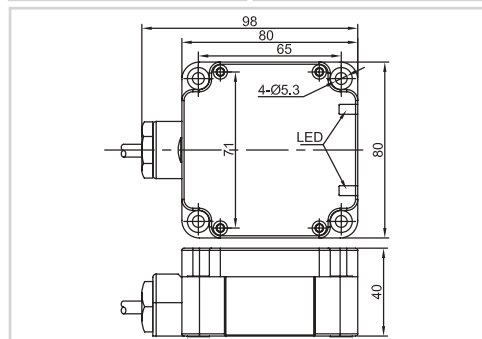


Item Code	LE80XZ		LE80XZ	
Mounting	● Quasi-flush	◐ Non-flush	● Quasi-flush	◐ Non-flush
Sensing distance	50mm	70mm	50mm	70mm



Output	NPN NO	LE80XZSF50ENYOY-D	LE80XZSN70ENYOY-D	LE80XZSF50ENYOY-E2	LE80XZSN70ENYOY-E2
	NPN NC	LE80XZSF50ENCY-D	LE80XZSN70ENCY-D	LE80XZSF50ENCY-E2	LE80XZSN70ENCY-E2
	NPN NO+NC	LE80XZSF50ENRY-D	LE80XZSN70ENRY-D	LE80XZSF50ENRY-E2	LE80XZSN70ENRY-E2
Output	PNP NO	LE80XZSF50EPOY-D	LE80XZSN70EPOY-D	LE80XZSF50EPOY-E2	LE80XZSN70EPOY-E2
	PNP NC	LE80XZSF50EPCY-D	LE80XZSN70EPCY-D	LE80XZSF50EPCY-E2	LE80XZSN70EPCY-E2
	PNP NO+NC	LE80XZSF50EPRY-D	LE80XZSN70EPRY-D	LE80XZSF50EPRY-E2	LE80XZSN70EPRY-E2

Technical Parameter				
Supply voltage	10...60 VDC	10...60 VDC	10...60 VDC	10...60 VDC
Switch point drift	<±10% Sr	<±10% Sr	<±10% Sr	<±10% Sr
Load current	<200mA	<200mA	<200mA	<200mA
Voltage drop	<2.5V	<2.5V	<2.5V	<2.5V
Consumption current	<10mA	<10mA	<10mA	<10mA
Hysteresis	1...20%	1...20%	1...20%	1...20%
Repeat accuracy	<3%	<3%	<3%	<3%
Frequency	50Hz	30Hz	50Hz	30Hz
Output indicator	Yellow LED	Yellow LED	Yellow LED	Yellow LED
Polarity protection	yes	yes	yes	yes
Dielectric strength	1000V/AC 50/60Hz 60s	1000V/AC 50/60Hz 60s	1000V/AC 50/60Hz 60s	1000V/AC 50/60Hz 60s
Short-circuit protection	yes	yes	yes	yes
Ambient temperature	-25...+70°C	-25...+70°C	-25...+70°C	-25...+70°C
Ambient moisture	35...95%	35...95%	35...95%	35...95%
Protection degree	IP67	IP67	IP67	IP67
Housing material	PBT	PBT	PBT	PBT
Connection	Terminal connect	Terminal connect	M12 Connector	M12 Connector
Certification	CE	CE	CE	CE

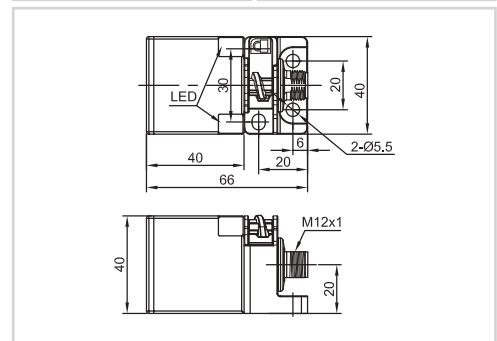
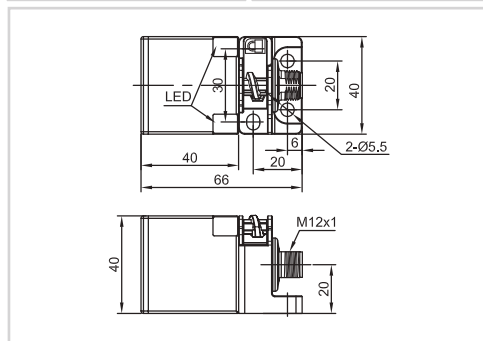


Item Code	LE40SZ		LE40SZ	
Mounting	● Quasi-flush	◐ Non-flush	● Quasi-flush	◐ Non-flush
Sensing distance	25mm	40mm	25mm	40mm



Output	DC 2 Wires NO	LE40SZSF25DLOY-E2	LE40SZSN40DLOY-E2	LE40SZSF25ELOY-E2	LE40SZSN40ELOY-E2
	DC 2 Wires NC	LE40SZSF25DLCY-E2	LE40SZSN40DLCY-E2	LE40SZSF25ELCY-E2	LE40SZSN40ELCY-E2

Technical Parameter				
Supply voltage	10...30 VDC	10...30 VDC	10...60 VDC	10...60 VDC
Switch point drift	< ±10% Sr	< ±10% Sr	< ±10% Sr	< ±10% Sr
Load current	<100mA	<100mA	<100mA	<100mA
Voltage drop	<6V	<6V	<6V	<6V
Leakage current	<1mA	<1mA	<1mA	<1mA
Hysteresis	1...20%	1...20%	1...20%	1...20%
Repeat accuracy	<3%	<3%	<3%	<3%
Frequency	200Hz	100Hz	200Hz	100Hz
Output indicator	Yellow LED	Yellow LED	Yellow LED	Yellow LED
Polarity protection	yes	yes	yes	yes
Dielectric strength	1000V/AC 50/60Hz 60s	1000V/AC 50/60Hz 60s	1000V/AC 50/60Hz 60s	1000V/AC 50/60Hz 60s
Short-circuit protection	yes	yes	yes	yes
Ambient temperature	-25...+70°C	-25...+70°C	-25...+70°C	-25...+70°C
Ambient moisture	35...95%	35...95%	35...95%	35...95%
Protection degree	IP67	IP67	IP67	IP67
Housing material	PBT	PBT	PBT	PBT
Connection	M12 Connector	M12 Connector	M12 Connector	M12 Connector
Certification	CE	CE	CE	CE

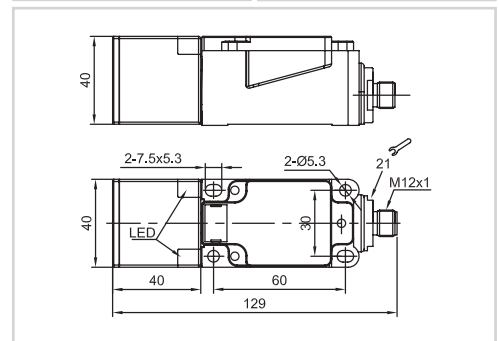
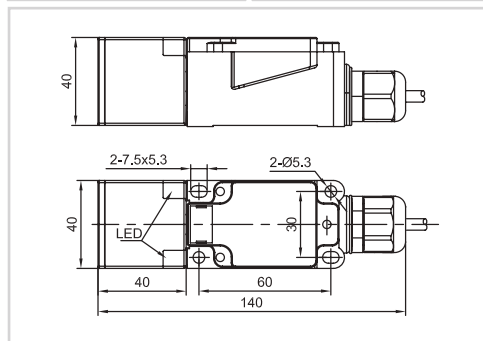


Item Code	LE40XZ		LE40XZ	
Mounting	● Quasi-flush	◐ Non-flush	● Quasi-flush	◐ Non-flush
Sensing distance	25mm	40mm	25mm	40mm



Output	DC 2 Wires NO	LE40XZSF25DLOY-D	LE40XZSN40DLOY-D	LE40XZSF25DLOY-E2	LE40XZSN40DLOY-E2
	DC 2 Wires NC	LE40XZSF25DLCY-D	LE40XZSN40DLCY-D	LE40XZSF25DLCY-E2	LE40XZSN40DLCY-E2

Technical Parameter				
Supply voltage	10...30 VDC	10...30 VDC	10...30 VDC	10...30 VDC
Switch point drift	< ±10% Sr	< ±10% Sr	< ±10% Sr	< ±10% Sr
Load current	<100mA	<100mA	<100mA	<100mA
Voltage drop	<6V	<6V	<6V	<6V
Leakage current	<1mA	<1mA	<1mA	<1mA
Hysteresis	1...20%	1...20%	1...20%	1...20%
Repeat accuracy	<3%	<3%	<3%	<3%
Frequency	200Hz	100Hz	200Hz	100Hz
Output indicator	Yellow LED	Yellow LED	Yellow LED	Yellow LED
Polarity protection	yes	yes	yes	yes
Dielectric strength	1000V/AC 50/60Hz 60s	1000V/AC 50/60Hz 60s	1000V/AC 50/60Hz 60s	1000V/AC 50/60Hz 60s
Short-circuit protection	yes	yes	yes	yes
Ambient temperature	-25...+70°C	-25...+70°C	-25...+70°C	-25...+70°C
Ambient moisture	35...95%	35...95%	35...95%	35...95%
Protection degree	IP67	IP67	IP67	IP67
Housing material	PBT	PBT	PBT	PBT
Connection	Terminal connect	Terminal connect	M12 Connector	M12 Connector
Certification	CE	CE	CE	CE



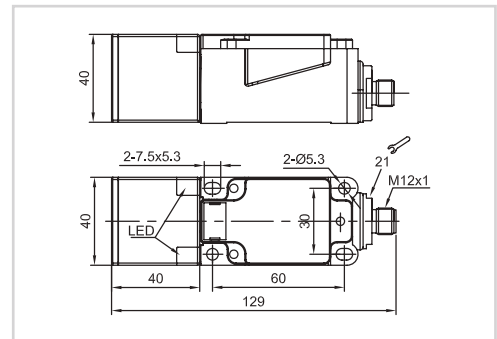
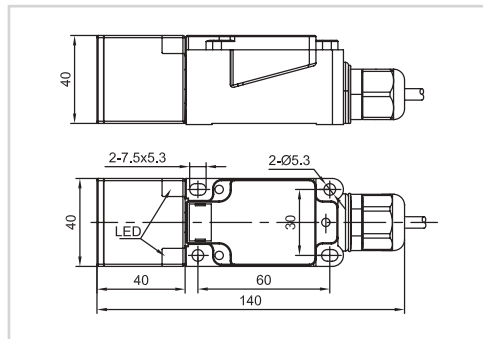
Item Code	LE40XZ		LE40XZ	
Mounting	● Quasi-flush	◐ Non-flush	● Quasi-flush	◐ Non-flush
Sensing distance	25mm	40mm	25mm	40mm



Output	DC 2 Wires NO	LE40XZSF25ELOY-D	LE40XZSN40ELOY-D	LE40XZSF25ELOY-E2	LE40XZSN40ELOY-E2
	DC 2 Wires NC	LE40XZSF25ELCY-D	LE40XZSN40ELCY-D	LE40XZSF25ELCY-E2	LE40XZSN40ELCY-E2

Technical Parameter

Supply voltage	10...60 VDC	10...60 VDC	10...60 VDC	10...60 VDC
Switch point drift	< ±10% Sr	< ±10% Sr	< ±10% Sr	< ±10% Sr
Load current	<100mA	<100mA	<100mA	<100mA
Voltage drop	<6V	<6V	<6V	<6V
Leakage current	<1mA	<1mA	<1mA	<1mA
Hysteresis	1...20%	1...20%	1...20%	1...20%
Repeat accuracy	<3%	<3%	<3%	<3%
Frequency	200Hz	100Hz	200Hz	100Hz
Output indicator	Yellow LED	Yellow LED	Yellow LED	Yellow LED
Polarity protection	yes	yes	yes	yes
Dielectric strength	1000V/AC 50/60Hz 60s	1000V/AC 50/60Hz 60s	1000V/AC 50/60Hz 60s	1000V/AC 50/60Hz 60s
Short-circuit protection	yes	yes	yes	yes
Ambient temperature	-25...+70°C	-25...+70°C	-25...+70°C	-25...+70°C
Ambient moisture	35...95%	35...95%	35...95%	35...95%
Protection degree	IP67	IP67	IP67	IP67
Housing material	PBT	PBT	PBT	PBT
Connection	Terminal connect	Terminal connect	M12 Connector	M12 Connector
Certification	CE	CE	CE	CE



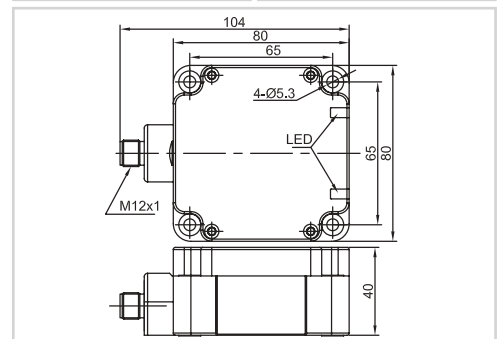
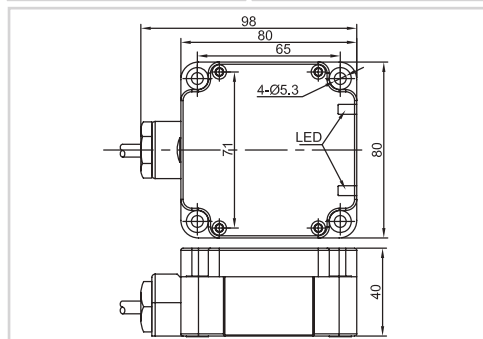
Item Code	LE80XZ		LE80XZ	
Mounting	● Quasi-flush	◐ Non-flush	● Quasi-flush	◐ Non-flush
Sensing distance	50mm	70mm	50mm	70mm



Output	DC 2 Wires NO	LE80XZSF50DLOY-D	LE80XZSN70DLOY-D	LE80XZSF50DLOY-E2	LE80XZSN70DLOY-E2
	DC 2 Wires NC	LE80XZSF50DLCY-D	LE80XZSN70DLCY-D	LE80XZSF50DLCY-E2	LE80XZSN70DLCY-E2

Technical Parameter

Supply voltage	10...30 VDC	10...30 VDC	10...30 VDC	10...30 VDC
Switch point drift	< ±10% Sr	< ±10% Sr	< ±10% Sr	< ±10% Sr
Load current	<100mA	<100mA	<100mA	<100mA
Voltage drop	<6V	<6V	<6V	<6V
Leakage current	<1mA	<1mA	<1mA	<1mA
Hysteresis	1...20%	1...20%	1...20%	1...20%
Repeat accuracy	<3%	<3%	<3%	<3%
Frequency	50Hz	30Hz	50Hz	30Hz
Output indicator	Yellow LED	Yellow LED	Yellow LED	Yellow LED
Polarity protection	yes	yes	yes	yes
Dielectric strength	1000V/AC 50/60Hz 60s	1000V/AC 50/60Hz 60s	1000V/AC 50/60Hz 60s	1000V/AC 50/60Hz 60s
Short-circuit protection	yes	yes	yes	yes
Ambient temperature	-25...+70°C	-25...+70°C	-25...+70°C	-25...+70°C
Ambient moisture	35...95%	35...95%	35...95%	35...95%
Protection degree	IP67	IP67	IP67	IP67
Housing material	PBT	PBT	PBT	PBT
Connection	Terminal connect	Terminal connect	M12 Connector	M12 Connector
Certification	CE	CE	CE	CE

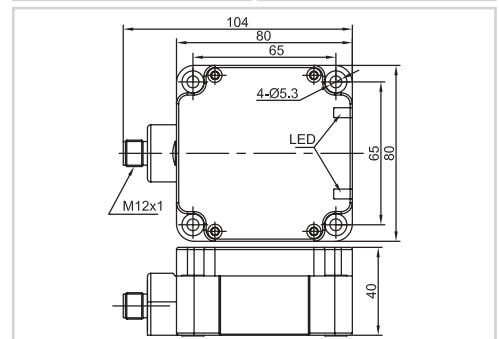
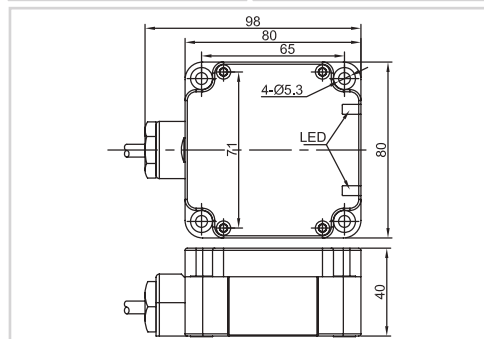


Item Code	LE80XZ		LE80XZ	
Mounting	● Quasi-flush	◐ Non-flush	● Quasi-flush	◐ Non-flush
Sensing distance	50mm	70mm	50mm	70mm



Output	DC 2 Wires NO	LE80XZSF50ELOY-D	LE80XZSN70ELOY-D	LE80XZSF50ELOY-E2	LE80XZSN70ELOY-E2
	DC 2 Wires NC	LE80XZSF50ELCY-D	LE80XZSN70ELCY-D	LE80XZSF50ELCY-E2	LE80XZSN70ELCY-E2

Technical Parameter				
Supply voltage	10...60 VDC	10...60 VDC	10...60 VDC	10...60 VDC
Switch point drift	< ±10% Sr	< ±10% Sr	< ±10% Sr	< ±10% Sr
Load current	<100mA	<100mA	<100mA	<100mA
Voltage drop	<6V	<6V	<6V	<6V
Leakage current	<1mA	<1mA	<1mA	<1mA
Hysteresis	1...20%	1...20%	1...20%	1...20%
Repeat accuracy	<3%	<3%	<3%	<3%
Frequency	50Hz	30Hz	50Hz	30Hz
Output indicator	Yellow LED	Yellow LED	Yellow LED	Yellow LED
Polarity protection	yes	yes	yes	yes
Dielectric strength	1000V/AC 50/60Hz 60s	1000V/AC 50/60Hz 60s	1000V/AC 50/60Hz 60s	1000V/AC 50/60Hz 60s
Short-circuit protection	yes	yes	yes	yes
Ambient temperature	-25...+70°C	-25...+70°C	-25...+70°C	-25...+70°C
Ambient moisture	35...95%	35...95%	35...95%	35...95%
Protection degree	IP67	IP67	IP67	IP67
Housing material	PBT	PBT	PBT	PBT
Connection	Terminal connect	Terminal connect	M12 Connector	M12 Connector
Certification	CE	CE	CE	CE

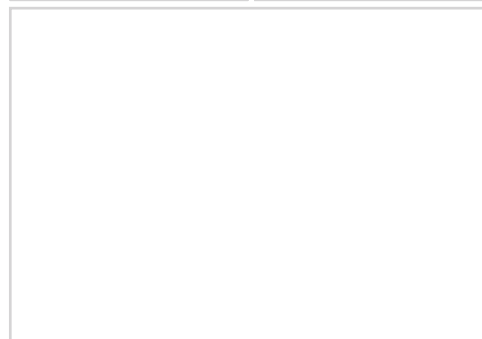
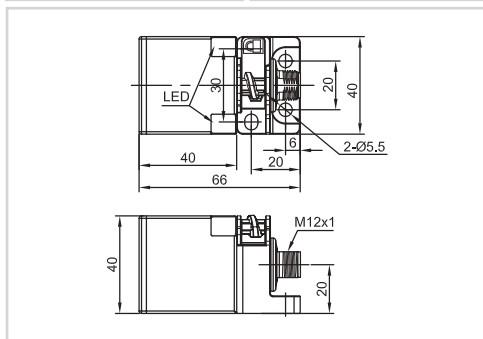






Item Code	LE40SZ			
Mounting	● Quasi-flush	◐ Non-flush		
Sensing distance	25mm	40mm		



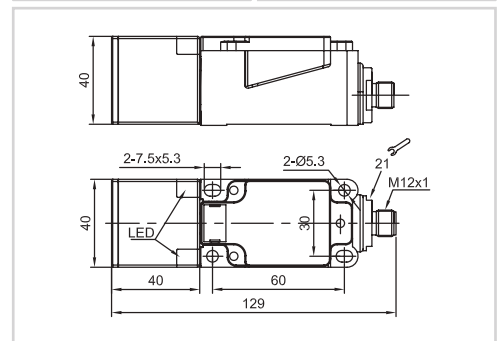
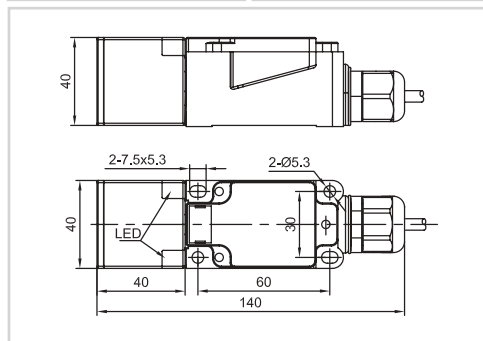
Output	AC 2 Wires NO	LE40SZSF25ATOY-E2	LE40SZSN40ATOY-E2		
	AC 2 Wires NC	LE40SZSF25ATCY-E2	LE40SZSN40ATCY-E2		

Technical Parameter					
Supply voltage		20...250 VAC	20...250 VAC		
Switch point drift		< ±10% Sr	< ±10% Sr		
Load current		<300mA	<300mA		
Voltage drop		<10V	<10V		
Leakage current		<3mA	<3mA		
Hysteresis		1...20%	1...20%		
Repeat accuracy		<3%	<3%		
Frequency		20Hz	20Hz		
Output indicator		Yellow LED	Yellow LED		
Polarity protection			
Dielectric strength		2000V/AC 50/60Hz 60s	2000V/AC 50/60Hz 60s		
Short-circuit protection			
Ambient temperature		-25...+70°C	-25...+70°C		
Ambient moisture		35...95%	35...95%		
Protection degree		IP67	IP67		
Housing material		PBT	PBT		
Connection		M12 Connector	M12 Connector		
Certification		CE	CE		



Item Code		LE40XZ		LE40XZ	
Mounting		● Quasi-flush	◐ Non-flush	● Quasi-flush	◐ Non-flush
Sensing distance		25mm	40mm	25mm	40mm
					
Output	AC 2 Wires NO	LE40XZSF25ATOY-D	LE40XZSN40ATOY-D	LE40XZSF25ATOY-E2	LE40XZSN40ATOY-E2
	AC 2 Wires NC	LE40XZSF25ATCY-D	LE40XZSN40ATCY-D	LE40XZSF25ATCY-E2	LE40XZSN40ATCY-E2

Technical Parameter					
Supply voltage		20...250 VAC	20...250 VAC	20...250 VAC	20...250 VAC
Switch point drift		< ±10% Sr	< ±10% Sr	< ±10% Sr	< ±10% Sr
Load current		<300mA	<300mA	<300mA	<300mA
Voltage drop		<10V	<10V	<10V	<10V
Leakage current		<3mA	<3mA	<3mA	<3mA
Hysteresis		1...20%	1...20%	1...20%	1...20%
Repeat accuracy		<3%	<3%	<3%	<3%
Frequency		20Hz	20Hz	20Hz	20Hz
Output indicator		Yellow LED	Yellow LED	Yellow LED	Yellow LED
Polarity protection	
Dielectric strength		2000V/AC 50/60Hz 60s	2000V/AC 50/60Hz 60s	2000V/AC 50/60Hz 60s	2000V/AC 50/60Hz 60s
Short-circuit protection	
Ambient temperature		-25...+70°C	-25...+70°C	-25...+70°C	-25...+70°C
Ambient moisture		35...95%	35...95%	35...95%	35...95%
Protection degree		IP67	IP67	IP67	IP67
Housing material		PBT	PBT	PBT	PBT
Connection		Terminal connect	Terminal connect	M12 Connector	M12 Connector
Certification		CE	CE	CE	CE



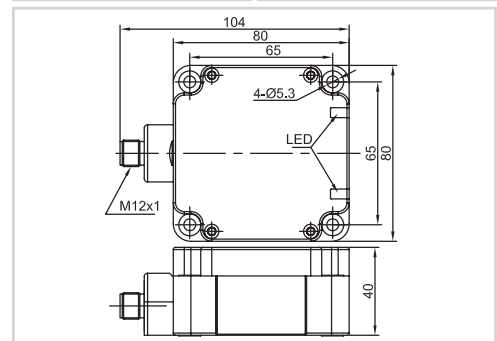
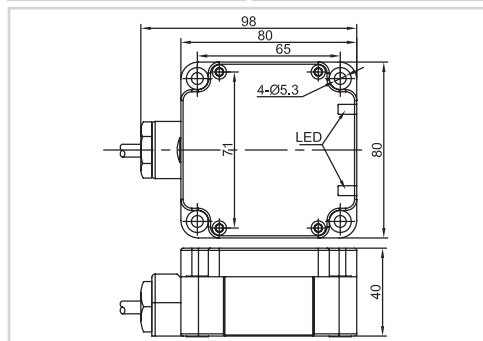
Item Code	LE80XZ		LE80XZ	
Mounting	● Quasi-flush	◐ Non-flush	● Quasi-flush	◐ Non-flush
Sensing distance	50mm	70mm	50mm	70mm



Output	AC 2 Wires NO	LE80XZSF50ATOY-D	LE80XZSN70ATOY-D	LE80XZSF50ATOY-E2	LE80XZSN70ATOY-E2
	AC 2 Wires NC	LE80XZSF50ATCY-D	LE80XZSN70ATCY-D	LE80XZSF50ATCY-E2	LE80XZSN70ATCY-E2

Technical Parameter

Supply voltage	20...250 VAC	20...250 VAC	20...250 VAC	20...250 VAC
Switch point drift	< ±10% Sr	< ±10% Sr	< ±10% Sr	< ±10% Sr
Load current	<300mA	<300mA	<300mA	<300mA
Voltage drop	<10V	<10V	<10V	<10V
Leakage current	<3mA	<3mA	<3mA	<3mA
Hysteresis	1...20%	1...20%	1...20%	1...20%
Repeat accuracy	<3%	<3%	<3%	<3%
Frequency	20Hz	20Hz	20Hz	20Hz
Output indicator	Yellow LED	Yellow LED	Yellow LED	Yellow LED
Polarity protection
Dielectric strength	2000V/AC 50/60Hz 60s	2000V/AC 50/60Hz 60s	2000V/AC 50/60Hz 60s	2000V/AC 50/60Hz 60s
Short-circuit protection
Ambient temperature	-25...+70°C	-25...+70°C	-25...+70°C	-25...+70°C
Ambient moisture	35...95%	35...95%	35...95%	35...95%
Protection degree	IP67	IP67	IP67	IP67
Housing material	PBT	PBT	PBT	PBT
Connection	Terminal connect	Terminal connect	M12 Connector	M12 Connector
Certification	CE	CE	CE	CE



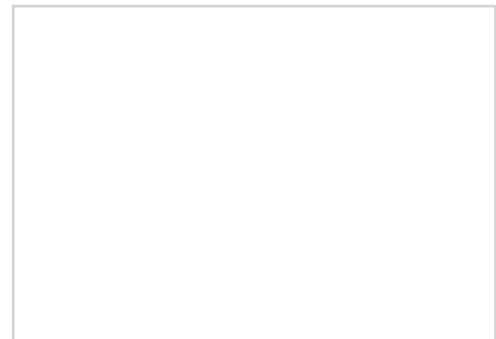
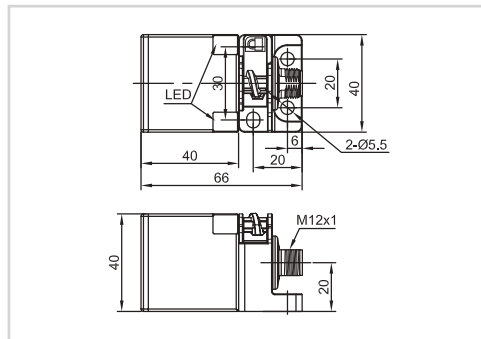
Item Code	LE40SZ			
Mounting	● Quasi-flush	◐ Non-flush		
Sensing distance	25mm	40mm		





Output	DC/AC 2 Wires NO	LE40SZSF25SBOY-E2	LE40ZSN40SBOY-E2		
	DC/AC 2 Wires NC	LE40SZSF25SBCY-E2	LE40ZSN40SBCY-E2		
	DC/AC 2 Wires NO/NC	LE40SZSF25SBBY-E2	LE40ZSN40SBBY-E2		

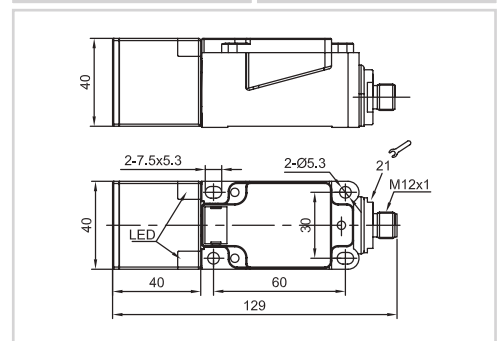
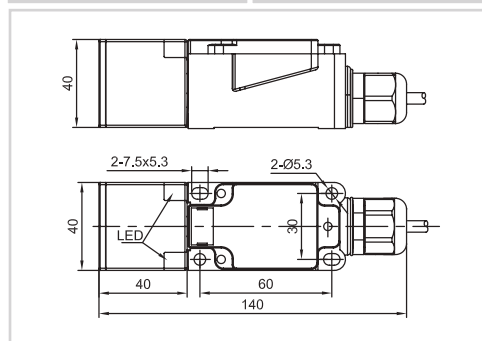
Technical Parameter

Supply voltage	20-250VAC/DC			
Switch point drift	< ±10% Sr			
Load current	AC: <300mA, DC: <100mA			
Voltage drop	AC: <10V, DC: <8V			
Leakage current	AC: <3mA, DC: <1mA			
Hysteresis	1...20%			
Repeat accuracy	<3%			
Frequency	AC: 20Hz, DC: 100Hz			
Output indicator	Yellow LED	Yellow LED		
Polarity protection		
Dielectric strength	2000V/AC 50/60Hz 60s	2000V/AC 50/60Hz 60s		
Short-circuit protection		
Ambient temperature	-25...+70°C	-25...+70°C		
Ambient moisture	35...95%	35...95%		
Protection degree	IP67	IP67		
Housing material	PBT	PBT		
Connection	M12 Connector	M12 Connector		
Certification	CE	CE		



Item Code		LE40XZ		LE40XZ	
Mounting		● Quasi-flush	◐ Non-flush	● Quasi-flush	◐ Non-flush
Sensing distance		25mm	40mm	25mm	40mm
					
Output	DC/AC 2 Wires NO	LE40XZSF25SBOY-D	LE40XZSN40SBOY-D	LE40XZSF25SBOY-E2	LE40XZSN40SBOY-E2
	DC/AC 2 Wires NC	LE40XZSF25SBCY-D	LE40XZSN40SBCY-D	LE40XZSF25SBCY-E2	LE40XZSN40SBCY-E2
	DC/AC 2 Wires NO/NC	LE40XZSF25SBBY-D	LE40XZSN40SBBY-D	LE40XZSF25SBBY-E2	LE40XZSN40SBBY-E2

Technical Parameter					
Supply voltage	20-250VAC/DC		20-250VAC/DC		
Switch point drift	< ±10% Sr		< ±10% Sr		
Load current	AC: <300mA, DC: <100mA		AC: <300mA, DC: <100mA		
Voltage drop	AC:<10V, DC:<8V		AC:<10V, DC:<8V		
Leakage current	AC: <3mA, DC: <1mA		AC: <3mA, DC: <1mA		
Hysteresis	1...20%		1...20%		
Repeat accuracy	<3%		<3%		
Frequency	AC: 20Hz, DC: 100Hz		AC: 20Hz, DC: 100Hz		
Output indicator	Yellow LED	Yellow LED	Yellow LED	Yellow LED	
Polarity protection	
Dielectric strength	2000V/AC 50/60Hz 60s	2000V/AC 50/60Hz 60s	2000V/AC 50/60Hz 60s	2000V/AC 50/60Hz 60s	
Short-circuit protection	
Ambient temperature	-25...+70°C		-25...+70°C		
Ambient moisture	35...95%		35...95%		
Protection degree	IP67		IP67		
Housing material	PBT		PBT		
Connection	Terminal connect	Terminal connect	M12 Connector	M12 Connector	
Certification	CE		CE		



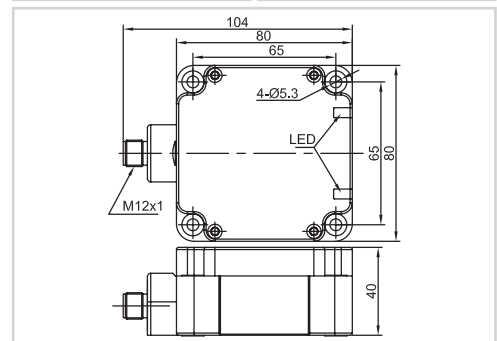
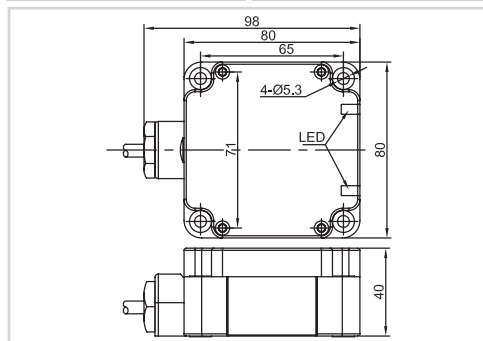
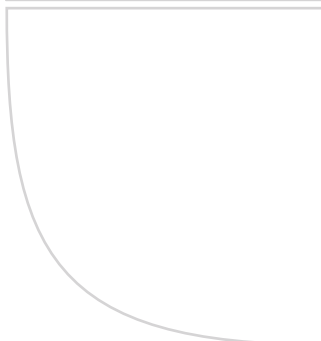
Item Code	LE80XZ		LE80XZ	
Mounting	● Quasi-flush	◐ Non-flush	● Quasi-flush	◐ Non-flush
Sensing distance	50mm	70mm	50mm	70mm



Output	DC/AC 2 Wires NO	LE80XZSF50SBOY-D	LE80XZSN70SBOY-D	LE80XZSF50SBOY-E2	LE80XZSN70SBOY-E2
	DC/AC 2 Wires NC	LE80XZSF50SBCY-D	LE80XZSN70SBCY-D	LE80XZSF50SBCY-E2	LE80XZSN70SBCY-E2
	DC/AC 2 Wires NO/NC	LE80XZSF50SBBY-D	LE80XZSN70SBBY-D	LE80XZSF50SBBY-E2	LE80XZSN70SBBY-E2

Technical Parameter

Supply voltage	20-250VAC/DC		20-250VAC/DC	
Switch point drift	$\leq \pm 10\%$ Sr		$\leq \pm 10\%$ Sr	
Load current	AC: <300mA, DC: <100mA		AC: <300mA, DC: <100mA	
Voltage drop	AC:<10V, DC:<8V		AC:<10V, DC:<8V	
Leakage current	AC: <3mA, DC: <1mA		AC: <3mA, DC: <1mA	
Hysteresis	1...20%		1...20%	
Repeat accuracy	<3%		<3%	
Frequency	AC: 20Hz, DC: 30Hz		AC: 20Hz, DC: 30Hz	
Output indicator	Yellow LED	Yellow LED	Yellow LED	Yellow LED
Polarity protection
Dielectric strength	2000V/AC 50/60Hz 60s	2000V/AC 50/60Hz 60s	2000V/AC 50/60Hz 60s	2000V/AC 50/60Hz 60s
Short-circuit protection
Ambient temperature	-25...+70°C		-25...+70°C	
Ambient moisture	35...95%		35...95%	
Protection degree	IP67	IP67	IP67	IP67
Housing material	PBT		PBT	
Connection	Terminal connect	Terminal connect	M12 Connector	M12 Connector
Certification	CE		CE	



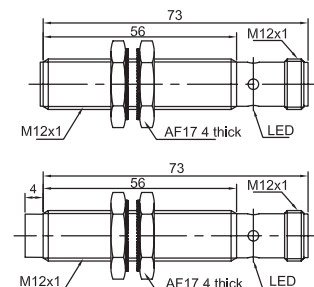
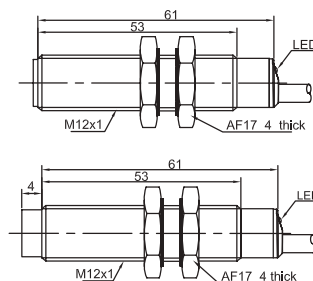
Item Code	LR12X		LR12X	
Mounting	● Flush	◐ Non-flush	● Flush	◐ Non-flush
Sensing distance	0.4... 2 mm	0.8... 4 mm	0.4... 2 mm	0.8... 4 mm



Output	0-10V	LR12XCF02LUM	LR12XCN04LUM	LR12XCF02LUM-E2	LR12XCN04LUM-E2
	0-20mA	LR12XCF02LIM	LR12XCN04LIM	LR12XCF02LIM-E2	LR12XCN04LIM-E2
	4-20mA	LR12XCF02LI4M	LR12XCN04LI4M	LR12XCF02LI4M-E2	LR12XCN04LI4M-E2
	0-10V+0-20mA	LR12XCF02LIUM	LR12XCN04LIUM	LR12XCF02LIUM-E2	LR12XCN04LIUM-E2

Technical Parameter				
Supply voltage	15...30 VDC	15...30 VDC	15...30 VDC	15...30 VDC
Switch point drift	< ±10% Sr	< ±10% Sr	< ±10% Sr	< ±10% Sr
Load current	Voltage output $R_L \geq 4.7K\Omega$, Current output $R_L \leq 470\Omega$		Voltage output $R_L \geq 4.7K\Omega$, Current output $R_L \leq 470\Omega$	
Voltage drop				
Consumption current	<20mA	<20mA	<20mA	<20mA
Hysteresis	< ±5%	< ±5%	< ±5%	< ±5%
Repeat accuracy	< ±3%	< ±3%	< ±3%	< ±3%
Frequency	200Hz	100Hz	200Hz	100Hz
Output indicator	Yellow LED	Yellow LED	Yellow LED	Yellow LED
Polarity protection	yes	yes	yes	yes
Dielectric strength	1000V/AC 50/60Hz 60s	1000V/AC 50/60Hz 60s	1000V/AC 50/60Hz 60s	1000V/AC 50/60Hz 60s
Short-circuit protection
Ambient temperature	-25...+70°C	-25...+70°C	-25...+70°C	-25...+70°C
Ambient moisture	35...95%	35...95%	35...95%	35...95%
Protection degree	IP67	IP67	IP67	IP67
Housing material	Nickel-copper alloy	Nickel-copper alloy	Nickel-copper alloy	Nickel-copper alloy
Connection	2m PVC Cable	2m PVC Cable	M12 Connector	M12 Connector
Certification	CE U _L	CE U _L	CE U _L	CE U _L

* Cable material and length can be customized



Item Code	LR18X		LR18X	
Mounting	● Flush	◐ Non-flush	● Flush	◐ Non-flush
Sensing distance	1... 5 mm	1.6... 8 mm	1... 5 mm	1.6... 8 mm

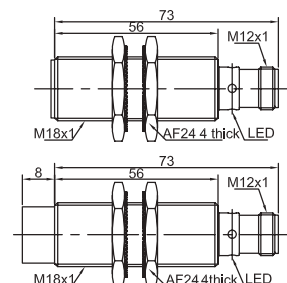
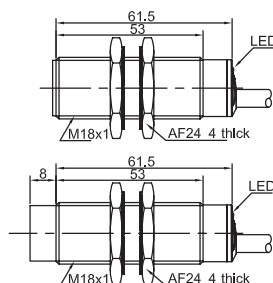


Output	0-10V	LR18XCF05LUM	LR18XCN08LUM	LR18XCF05LUM-E2	LR18XCN08LUM-E2
	0-20mA	LR18XCF05LIM	LR18XCN08LIM	LR18XCF05LIM-E2	LR18XCN08LIM-E2
	4-20mA	LR18XCF05LI4M	LR18XCN08LI4M	LR18XCF05LI4M-E2	LR18XCN08LI4M-E2
	0-10V+0-20mA	LR18XCF05LIUM	LR18XCN08LIUM	LR18XCF05LIUM-E2	LR18XCN08LIUM-E2

Technical Parameter

Supply voltage	15...30 VDC	15...30 VDC	15...30 VDC	15...30 VDC
Switch point drift	< ±10% Sr	< ±10% Sr	< ±10% Sr	< ±10% Sr
Load current	Voltage output $R_L \geq 4.7K\Omega$, Current output $R_L \leq 470\Omega$		Voltage output $R_L \geq 4.7K\Omega$, Current output $R_L \leq 470\Omega$	
Voltage drop				
Consumption current	<20mA	<20mA	<20mA	<20mA
Hysteresis	< ±5%	< ±5%	< ±5%	< ±5%
Repeat accuracy	< ±3%	< ±3%	< ±3%	< ±3%
Frequency	200Hz	100Hz	200Hz	100Hz
Output indicator	Yellow LED	Yellow LED	Yellow LED	Yellow LED
Polarity protection	yes	yes	yes	yes
Dielectric strength	1000V/AC 50/60Hz 60s	1000V/AC 50/60Hz 60s	1000V/AC 50/60Hz 60s	1000V/AC 50/60Hz 60s
Short-circuit protection
Ambient temperature	-25...+70°C	-25...+70°C	-25...+70°C	-25...+70°C
Ambient moisture	35...95%	35...95%	35...95%	35...95%
Protection degree	IP67	IP67	IP67	IP67
Housing material	Nickel-copper alloy	Nickel-copper alloy	Nickel-copper alloy	Nickel-copper alloy
Connection	2m PVC Cable	2m PVC Cable	M12 Connector	M12 Connector
Certification	CE U _L	CE U _L	CE U _L	CE U _L

* Cable material and length can be customized



Item Code	LR30X		LR30X	
Mounting	● Flush	◐ Non-flush	● Flush	◐ Non-flush
Sensing distance	2... 10 mm	3... 15 mm	2... 10 mm	3... 15 mm

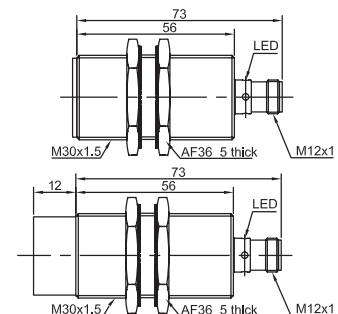
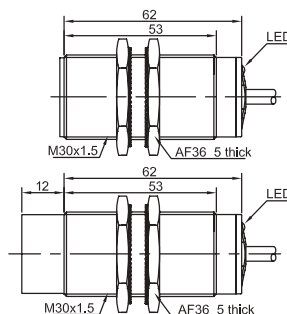


Output	0-10V	LR30XCF10LUM	LR30XCN15LUM	LR30XCF10LUM-E2	LR30XCN15LUM-E2
	0-20mA	LR30XCF10LIM	LR30XCN15LIM	LR30XCF10LIM-E2	LR30XCN15LIM-E2
	4-20mA	LR30XCF10LI4M	LR30XCN15LI4M	LR30XCF10LI4M-E2	LR30XCN15LI4M-E2
	0-10V+0-20mA	LR30XCF10LIUM	LR30XCN15LIUM	LR30XCF10LIUM-E2	LR30XCN15LIUM-E2

Technical Parameter

Supply voltage	15...30 VDC	15...30 VDC	15...30 VDC	15...30 VDC
Switch point drift	< ±10% Sr	< ±10% Sr	< ±10% Sr	< ±10% Sr
Load current	Voltage output $R_L \geq 4.7K\Omega$, Current output $R_L \leq 470\Omega$		Voltage output $R_L \geq 4.7K\Omega$, Current output $R_L \leq 470\Omega$	
Voltage drop				
Consumption current	<20mA	<20mA	<20mA	<20mA
Hysteresis	< ±5%	< ±5%	< ±5%	< ±5%
Repeat accuracy	< ±3%	< ±3%	< ±3%	< ±3%
Frequency	200Hz	100Hz	200Hz	100Hz
Output indicator	Yellow LED	Yellow LED	Yellow LED	Yellow LED
Polarity protection	yes	yes	yes	yes
Dielectric strength	1000V/AC 50/60Hz 60s	1000V/AC 50/60Hz 60s	1000V/AC 50/60Hz 60s	1000V/AC 50/60Hz 60s
Short-circuit protection
Ambient temperature	-25...+70°C	-25...+70°C	-25...+70°C	-25...+70°C
Ambient moisture	35...95%	35...95%	35...95%	35...95%
Protection degree	IP67	IP67	IP67	IP67
Housing material	Nickel-copper alloy	Nickel-copper alloy	Nickel-copper alloy	Nickel-copper alloy
Connection	2m PVC Cable	2m PVC Cable	M12 Connector	M12 Connector
Certification	CE U _L	CE U _L	CE U _L	CE U _L

* Cable material and length can be customized

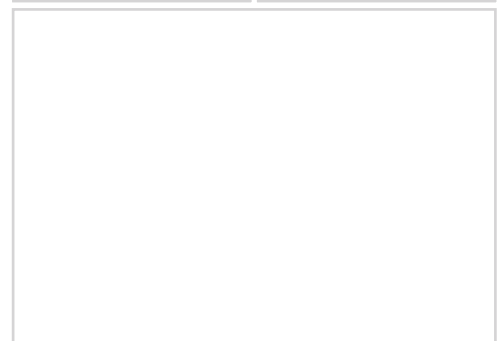
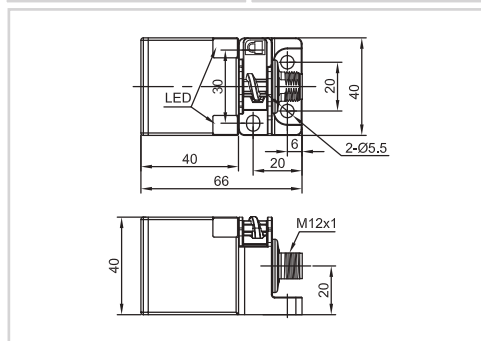






Item Code	LE40SZ			
Mounting	● Flush	◐ Non-flush		
Sensing distance	2... 10 mm	3... 15 mm		



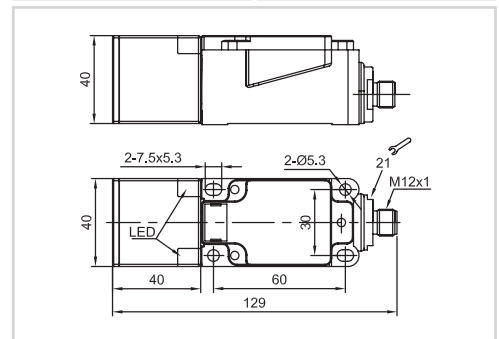
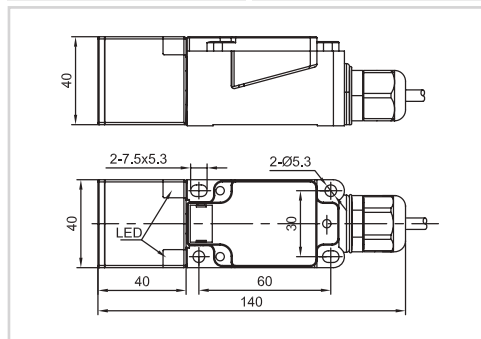
Output	0-10V	LE40SZSF10LUM-E2	LE40SZSN15LUM-E2		
	0-20mA	LE40SZSF10LIM-E2	LE40SZSN15LIM-E2		
	4-20mA	LE40SZSF10LI4M-E2	LE40SZSN15LI4M-E2		
	0-10V+0-20mA	LE40SZSF10LIUM-E2	LE40SZSN15LIUM-E2		





Technical Parameter					
Supply voltage	15...30 VDC	15...30 VDC			
Switch point drift	< ±10% Sr	< ±10% Sr			
Load current	Voltage output $R_L \geq 4.7k\Omega$, Current output $R_L \leq 470\Omega$				
Voltage drop					
Consumption current	<20mA	<20mA			
Hysteresis	< ±5%	< ±5%			
Repeat accuracy	< ±3%	< ±3%			
Frequency	100Hz	50Hz			
Output indicator	黄色 LED	黄色 LED			
Polarity protection	yes	yes			
Dielectric strength	1000V/AC 50/60Hz 60s	1000V/AC 50/60Hz 60s			
Short-circuit protection			
Ambient temperature	-25...+70°C	-25...+70°C			
Ambient moisture	35...95%	35...95%			
Protection degree	IP67	IP67			
Housing material	PBT	PBT			
Connection	M12 Connector	M12 Connector			
Certification	CE	CE			



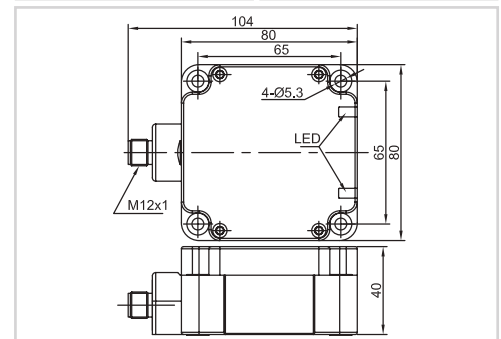
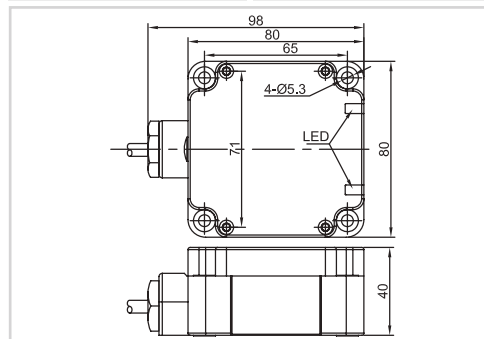
Item Code	LE40XZ		LE40XZ		
Mounting	● Flush	◐ Non-flush	● Flush	◐ Non-flush	
Sensing distance	2... 10 mm	3... 15 mm	2... 10 mm	3... 15 mm	
					
Output	0-10V	LE40XZSF10LUM-D	LE40XZSN15LUM-D	LE40XZSF10LUM-E2	LE40XZSN15LUM-E2
	0-20mA	LE40XZSF10LIM-D	LE40XZSN15LIM-D	LE40XZSF10LIM-E2	LE40XZSN15LIM-E2
	4-20mA	LE40XZSF10LI4M-D	LE40XZSN15LI4M-D	LE40XZSF10LI4M-E2	LE40XZSN15LI4M-E2
	0-10V+0-20mA	LE40XZSF10LIUM-D	LE40XZSN15LIUM-D	LE40XZSF10LIUM-E2	LE40XZSN15LIUM-E2

Technical Parameter				
Supply voltage	15...30 VDC	15...30 VDC	15...30 VDC	15...30 VDC
Switch point drift	< ±10% Sr	< ±10% Sr	< ±10% Sr	< ±10% Sr
Load current	Voltage output $R_L \geq 4.7K\Omega$, Current output $R_L \leq 470\Omega$		Voltage output $R_L \geq 4.7K\Omega$, Current output $R_L \leq 470\Omega$	
Voltage drop				
Consumption current	<20mA	<20mA	<20mA	<20mA
Hysteresis	< ±5%	< ±5%	< ±5%	< ±5%
Repeat accuracy	< ±3%	< ±3%	< ±3%	< ±3%
Frequency	100Hz	50Hz	100Hz	50Hz
Output indicator	Yellow LED	Yellow LED	Yellow LED	Yellow LED
Polarity protection	yes	yes	yes	yes
Dielectric strength	1000V/AC 50/60Hz 60s	1000V/AC 50/60Hz 60s	1000V/AC 50/60Hz 60s	1000V/AC 50/60Hz 60s
Short-circuit protection
Ambient temperature	-25...+70°C	-25...+70°C	-25...+70°C	-25...+70°C
Ambient moisture	35...95%	35...95%	35...95%	35...95%
Protection degree	IP67	IP67	IP67	IP67
Housing material	PBT	PBT	PBT	PBT
Connection	Terminal connect	Terminal connect	M12 Connector	M12 Connector
Certification	CE	CE	CE	CE



Item Code	LE80XZ		LE80XZ		
Mounting	● Flush	◐ Non-flush	● Flush	◐ Non-flush	
Sensing distance	8... 40 mm	10... 50 mm	8... 40 mm	10... 50 mm	
					
Output	0-10V	LE80XZSF40LUM-D	LE80XZSN50LUM-D	LE80XZSF40LUM-E2	LE80XZSN50LUM-E2
	0-20mA	LE80XZSF40LIM-D	LE80XZSN50LIM-D	LE80XZSF40LIM-E2	LE80XZSN50LIM-E2
	4-20mA	LE80XZSF40LI4M-D	LE80XZSN50LI4M-D	LE80XZSF40LI4M-E2	LE80XZSN50LI4M-E2
	0-10V+0-20mA	LE80XZSF40LIUM-D	LE80XZSN50LIUM-D	LE80XZSF40LIUM-E2	LE80XZSN50LIUM-E2

Technical Parameter				
Supply voltage	15...30 VDC	15...30 VDC	15...30 VDC	15...30 VDC
Switch point drift	< ±10% Sr	< ±10% Sr	< ±10% Sr	< ±10% Sr
Load current	Voltage output $R_L \geq 4.7K\Omega$, Current output $R_L \leq 470\Omega$		Voltage output $R_L \geq 4.7K\Omega$, Current output $R_L \leq 470\Omega$	
Voltage drop				
Consumption current	<20mA	<20mA	<20mA	<20mA
Hysteresis	< ±5%	< ±5%	< ±5%	< ±5%
Repeat accuracy	< ±3%	< ±3%	< ±3%	< ±3%
Frequency	80Hz	40Hz	80Hz	40Hz
Output indicator	Yellow LED	Yellow LED	Yellow LED	Yellow LED
Polarity protection	yes	yes	yes	yes
Dielectric strength	1000V/AC 50/60Hz 60s	1000V/AC 50/60Hz 60s	1000V/AC 50/60Hz 60s	1000V/AC 50/60Hz 60s
Short-circuit protection
Ambient temperature	-25...+70°C	-25...+70°C	-25...+70°C	-25...+70°C
Ambient moisture	35...95%	35...95%	35...95%	35...95%
Protection degree	IP67	IP67	IP67	IP67
Housing material	PBT	PBT	PBT	PBT
Connection	Terminal connect	Terminal connect	M12 Connector	M12 Connector
Certification	CE	CE	CE	CE



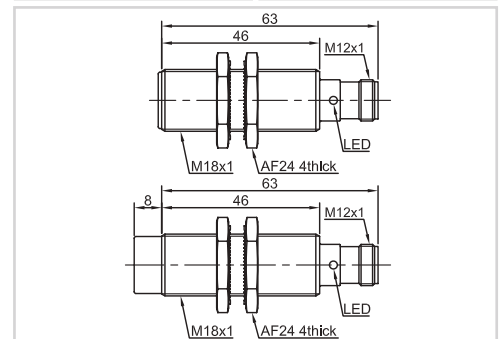
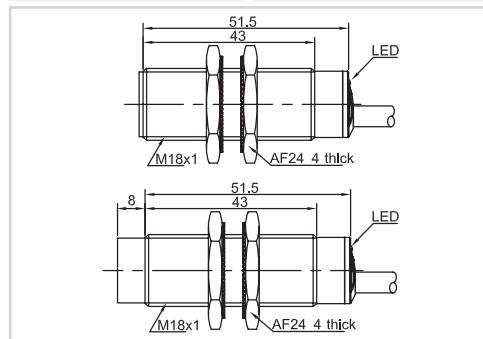
Item Code	LR18X		LR18X	
Mounting	● Flush	◐ Non-flush	● Flush	◐ Non-flush
Sensing distance	5mm	8mm	5mm	8mm



Output	NPN NO	LR18XBFO5DNOW1	LR18XBN08DNOW1	LR18XBFO5DNOW1-E2	LR18XBN08DNOW1-E2
	NPN NC	LR18XBFO5DNCW1	LR18XBN08DNCW1	LR18XBFO5DNCW1-E2	LR18XBN08DNCW1-E2
Output	PNP NO	LR18XBFO5DPOW1	LR18XBN08DPOW1	LR18XBFO5DPOW1-E2	LR18XBN08DPOW1-E2
	PNP NC	LR18XBFO5DPCW1	LR18XBN08DPCW1	LR18XBFO5DPCW1-E2	LR18XBN08DPCW1-E2

Technical Parameter

Supply voltage	10...30 VDC	10...30 VDC	10...30 VDC	10...30 VDC
Switch point drift	< ±10% Sr	< ±10% Sr	< ±10% Sr	< ±10% Sr
Load current	<200mA	<200mA	<200mA	<200mA
Voltage drop	<2.5V	<2.5V	<2.5V	<2.5V
Consumption current	<15mA	<15mA	<15mA	<15mA
Hysteresis	1...20%	1...20%	1...20%	1...20%
Repeat accuracy	<3%	<3%	<3%	<3%
Frequency	1000Hz	800Hz	1000Hz	800Hz
Output indicator	Yellow LED	Yellow LED	Yellow LED	Yellow LED
Polarity protection	yes	yes	yes	yes
Dielectric strength	1000V/AC 50/60Hz 60s	1000V/AC 50/60Hz 60s	1000V/AC 50/60Hz 60s	1000V/AC 50/60Hz 60s
Short-circuit protection	yes	yes	yes	yes
Ambient temperature	-40...+70°C	-40...+70°C	-40...+70°C	-40...+70°C
Ambient moisture	35...95%	35...95%	35...95%	35...95%
Protection degree	IP67	IP67	IP67	IP67
Housing material	Nickel-copper alloy	Nickel-copper alloy	Nickel-copper alloy	Nickel-copper alloy
Connection	2m PUR Cable	2m PUR Cable	M12 Connector	M12 Connector
Certification	CE	CE	CE	CE

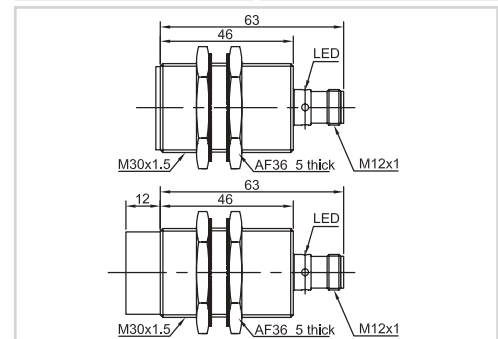
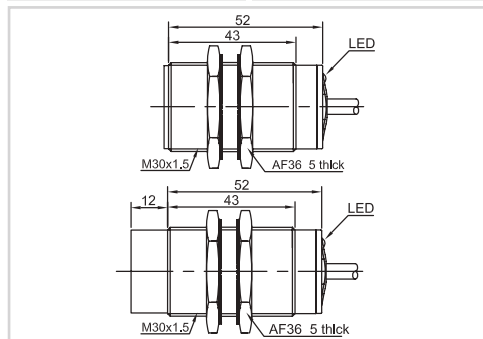


Item Code	LR30X		LR30X	
Mounting	● Flush	◐ Non-flush	● Flush	◐ Non-flush
Sensing distance	10mm	15mm	10mm	15mm



Output	NPN NO	LR30XBF10DNEW1	LR30XBN15DNEW1	LR30XBF10DNEW1-E2	LR30XBN15DNEW1-E2
	NPN NC	LR30XBF10DNCW1	LR30XBN15DNCW1	LR30XBF10DNCW1-E2	LR30XBN15DNCW1-E2
Output	PNP NO	LR30XBF10DPOW1	LR30XBN15DPOW1	LR30XBF10DPOW1-E2	LR30XBN15DPOW1-E2
	PNP NC	LR30XBF10DPCW1	LR30XBN15DPCW1	LR30XBF10DPCW1-E2	LR30XBN15DPCW1-E2

Technical Parameter				
Supply voltage	10...30 VDC	10...30 VDC	10...30 VDC	10...30 VDC
Switch point drift	<±10% Sr	<±10% Sr	<±10% Sr	<±10% Sr
Load current	<200mA	<200mA	<200mA	<200mA
Voltage drop	<2.5V	<2.5V	<2.5V	<2.5V
Consumption current	<15mA	<15mA	<15mA	<15mA
Hysteresis	1...20%	1...20%	1...20%	1...20%
Repeat accuracy	<3%	<3%	<3%	<3%
Frequency	500Hz	300Hz	500Hz	300Hz
Output indicator	Yellow LED	Yellow LED	Yellow LED	Yellow LED
Polarity protection	yes	yes	yes	yes
Dielectric strength	1000V/AC 50/60Hz 60s	1000V/AC 50/60Hz 60s	1000V/AC 50/60Hz 60s	1000V/AC 50/60Hz 60s
Short-circuit protection	yes	yes	yes	yes
Ambient temperature	-40...+70°C	-40...+70°C	-40...+70°C	-40...+70°C
Ambient moisture	35...95%	35...95%	35...95%	35...95%
Protection degree	IP67	IP67	IP67	IP67
Housing material	Nickel-copper alloy	Nickel-copper alloy	Nickel-copper alloy	Nickel-copper alloy
Connection	2m PUR Cable	2m PUR Cable	M12 Connector	M12 Connector
Certification	CE	CE	CE	CE

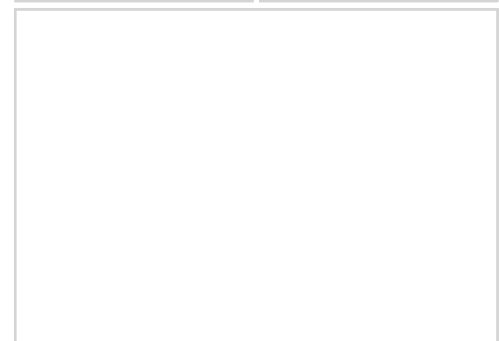
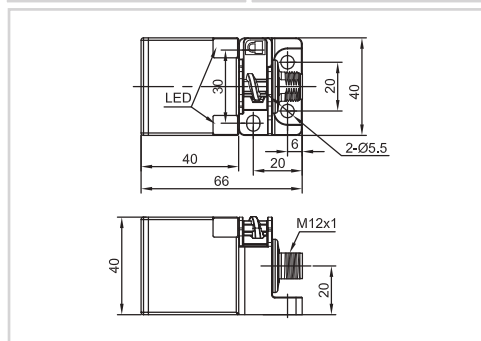


Item Code	LE40SZ	
Mounting	● Flush	◐ Non-flush
Sensing distance	15mm	20mm



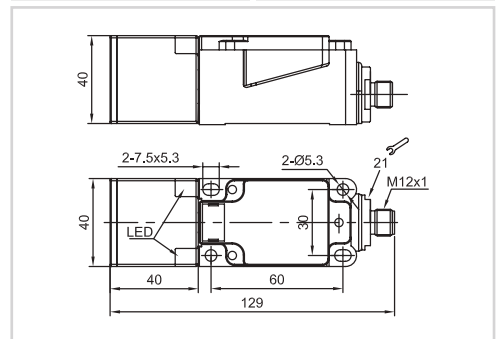
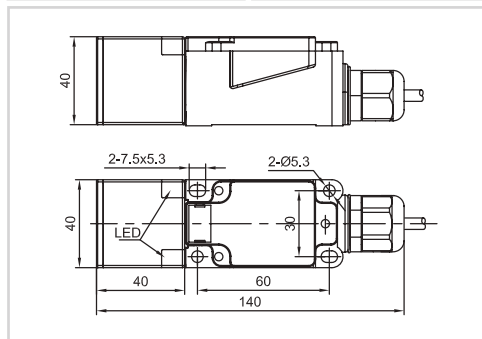
Output	NPN NO	LE40SZSF15DNOW1-E2	LE40SZSN20DNOW1-E2
	NPN NC	LE40SZSF15DNCW1-E2	LE40SZSN20DNCW1-E2
	NPN NO+NC	LE40SZSF15DNRW1-E2	LE40SZSN20DNRW1-E2
Output	PNP NO	LE40SZSF15DPOW1-E2	LE40SZSN20DPOW1-E2
	PNP NC	LE40SZSF15DPCW1-E2	LE40SZSN20DPCW1-E2
	PNP NO+NC	LE40SZSF15DPRW1-E2	LE40SZSN20DPRW1-E2

Technical Parameter	
Supply voltage	10...30 VDC
Switch point drift	< ±10% Sr
Load current	<200mA
Voltage drop	<2.5V
Consumption current	<15mA
Hysteresis	1...20%
Repeat accuracy	<3%
Frequency	300Hz
Output indicator	Yellow LED
Polarity protection	yes
Dielectric strength	1000V/AC 50/60Hz 60s
Short-circuit protection	yes
Ambient temperature	-40...+70°C
Ambient moisture	35...95%
Protection degree	IP67
Housing material	PBT
Connection	M12 Connector
Certification	CE



Item Code		LE40XZ		LE40XZ	
Mounting		● Flush	○ Non-flush	● Flush	○ Non-flush
Sensing distance		15mm	20mm	15mm	20mm
					
Output	NPN NO	LE40XZSF15DNOW1-D	LE40XZSN20DNOW1-D	LE40XZSF15DNOW1-E2	LE40XZSN20DNOW1-E2
	NPN NC	LE40XZSF15DNCW1-D	LE40XZSN20DNCW1-D	LE40XZSF15DNCW1-E2	LE40XZSN20DNCW1-E2
	NPN NO+NC	LE40XZSF15DNRW1-D	LE40XZSN20DNRW1-D	LE40XZSF15DNRW1-E2	LE40XZSN20DNRW1-E2
Output	PNP NO	LE40XZSF15DPOW1-D	LE40XZSN20DPOW1-D	LE40XZSF15DPOW1-E2	LE40XZSN20DPOW1-E2
	PNP NC	LE40XZSF15DPCW1-D	LE40XZSN20DPCW1-D	LE40XZSF15DPCW1-E2	LE40XZSN20DPCW1-E2
	PNP NO+NC	LE40XZSF15DPRW1-D	LE40XZSN20DPRW1-D	LE40XZSF15DPRW1-E2	LE40XZSN20DPRW1-E2

Technical Parameter				
Supply voltage	10...30 VDC	10...30 VDC	10...30 VDC	10...30 VDC
Switch point drift	< ±10% Sr	< ±10% Sr	< ±10% Sr	< ±10% Sr
Load current	<200mA	<200mA	<200mA	<200mA
Voltage drop	<2.5V	<2.5V	<2.5V	<2.5V
Consumption current	<15mA	<15mA	<15mA	<15mA
Hysteresis	1...20%	1...20%	1...20%	1...20%
Repeat accuracy	<3%	<3%	<3%	<3%
Frequency	300Hz	200Hz	300Hz	200Hz
Output indicator	Yellow LED	Yellow LED	Yellow LED	Yellow LED
Polarity protection	yes	yes	yes	yes
Dielectric strength	1000V/AC 50/60Hz 60s	1000V/AC 50/60Hz 60s	1000V/AC 50/60Hz 60s	1000V/AC 50/60Hz 60s
Short-circuit protection	yes	yes	yes	yes
Ambient temperature	-40...+70°C	-40...+70°C	-40...+70°C	-40...+70°C
Ambient moisture	35...95%	35...95%	35...95%	35...95%
Protection degree	IP67	IP67	IP67	IP67
Housing material	PBT	PBT	PBT	PBT
Connection	Terminal connect	Terminal connect	M12 Connector	M12 Connector
Certification	CE	CE	CE	CE

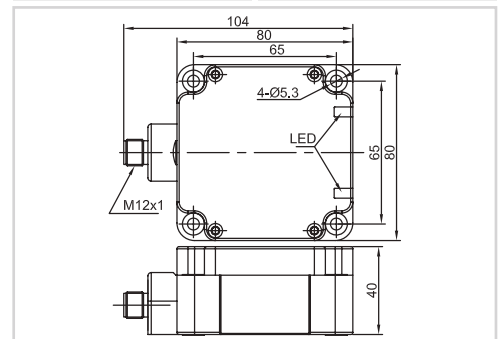
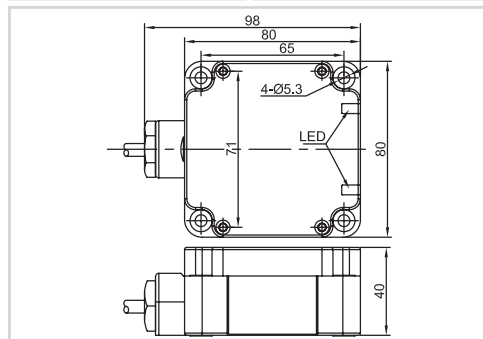


Item Code	LE80XZ		LE80XZ	
Mounting	● Flush	◐ Non-flush	● Flush	◐ Non-flush
Sensing distance	40mm	50mm	40mm	50mm



Output	NPN NO	LE80XZSF40DNOW1-D	LE80XZSN50DNOW1-D	LE80XZSF40DNOW1-E2	LE80XZSN50DNOW1-E2
	NPN NC	LE80XZSF40DNCW1-D	LE80XZSN50DNCW1-D	LE80XZSF40DNCW1-E2	LE80XZSN50DNCW1-E2
	NPN NO+NC	LE80XZSF40DNRW1-D	LE80XZSN50DNRW1-D	LE80XZSF40DNRW1-E2	LE80XZSN50DNRW1-E2
Output	PNP NO	LE80XZSF40DPOW1-D	LE80XZSN50DPOW1-D	LE80XZSF40DPOW1-E2	LE80XZSN50DPOW1-E2
	PNP NC	LE80XZSF40DPCW1-D	LE80XZSN50DPCW1-D	LE80XZSF40DPCW1-E2	LE80XZSN50DPCW1-E2
	PNP NO+NC	LE80XZSF40DPRW1-D	LE80XZSN50DPRW1-D	LE80XZSF40DPRW1-E2	LE80XZSN50DPRW1-E2

Technical Parameter				
Supply voltage	10...30 VDC	10...30 VDC	10...30 VDC	10...30 VDC
Switch point drift	< ±10% Sr	< ±10% Sr	< ±10% Sr	< ±10% Sr
Load current	<200mA	<200mA	<200mA	<200mA
Voltage drop	<2.5V	<2.5V	<2.5V	<2.5V
Consumption current	<15mA	<15mA	<15mA	<15mA
Hysteresis	1...20%	1...20%	1...20%	1...20%
Repeat accuracy	<3%	<3%	<3%	<3%
Frequency	100Hz	50Hz	100Hz	50Hz
Output indicator	Yellow LED	Yellow LED	Yellow LED	Yellow LED
Polarity protection	yes	yes	yes	yes
Dielectric strength	1000V/AC 50/60Hz 60s	1000V/AC 50/60Hz 60s	1000V/AC 50/60Hz 60s	1000V/AC 50/60Hz 60s
Short-circuit protection	yes	yes	yes	yes
Ambient temperature	-40...+70°C	-40...+70°C	-40...+70°C	-40...+70°C
Ambient moisture	35...95%	35...95%	35...95%	35...95%
Protection degree	IP67	IP67	IP67	IP67
Housing material	PBT	PBT	PBT	PBT
Connection	2m PUR Cable	2m PUR Cable	M12 Connector	M12 Connector
Certification	CE	CE	CE	CE

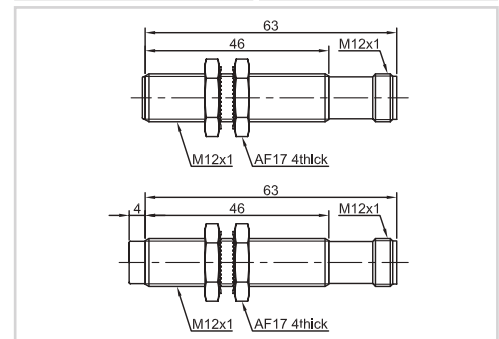
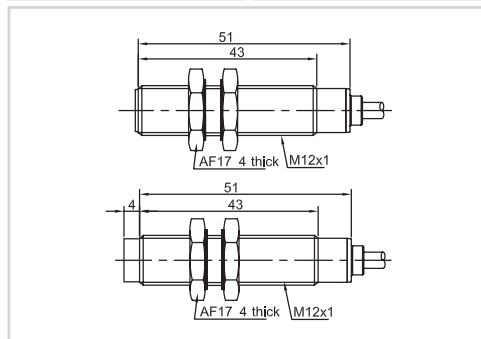


Item Code	LR12X		LR12X	
Mounting	● Flush	◐ Non-flush	● Flush	◐ Non-flush
Sensing distance	2mm	4mm	2mm	4mm



Output	NPN NO	LR12XBF02DNOV	LR12XBN04DNOV	LR12XBF02DNOV-E2	LR12XBN04DNOV-E2
	NPN NC	LR12XBF02DNCW	LR12XBN04DNCW	LR12XBF02DNCW-E2	LR12XBN04DNCW-E2
Output	PNP NO	LR12XBF02DPOV	LR12XBN04DPOV	LR12XBF02DPOV-E2	LR12XBN04DPOV-E2
	PNP NC	LR12XBF02DPCW	LR12XBN04DPCW	LR12XBF02DPCW-E2	LR12XBN04DPCW-E2

Technical Parameter				
Supply voltage	10...30 VDC	10...30 VDC	10...30 VDC	10...30 VDC
Switch point drift	<±10% Sr	<±10% Sr	<±10% Sr	<±10% Sr
Load current	<100mA	<100mA	<100mA	<100mA
Voltage drop	<2.5V	<2.5V	<2.5V	<2.5V
Consumption current	<15mA	<15mA	<15mA	<15mA
Hysteresis	1...20%	1...20%	1...20%	1...20%
Repeat accuracy	<5%	<5%	<5%	<5%
Frequency	500Hz	500Hz	500Hz	500Hz
Output indicator
Polarity protection	yes	yes	yes	yes
Dielectric strength	1000V/AC 50/60Hz 60s	1000V/AC 50/60Hz 60s	1000V/AC 50/60Hz 60s	1000V/AC 50/60Hz 60s
Short-circuit protection
Ambient temperature	-25...+120°C	-25...+120°C	-25...+120°C	-25...+120°C
Ambient moisture	35...95%	35...95%	35...95%	35...95%
Protection degree	IP67	IP67	IP67	IP67
Housing material	Nickel-copper alloy	Nickel-copper alloy	Nickel-copper alloy	Nickel-copper alloy
Connection	2m Silica Gel	2m Silica Gel	M12 Connector	M12 Connector
Certification	CE U _L	CE U _L	CE U _L	CE U _L

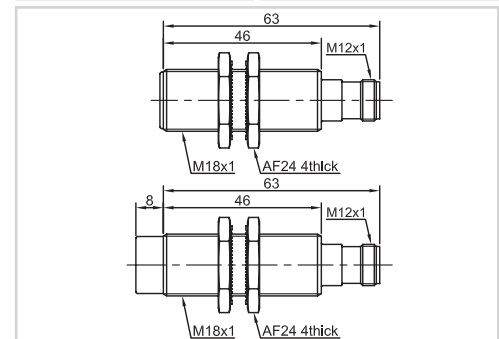
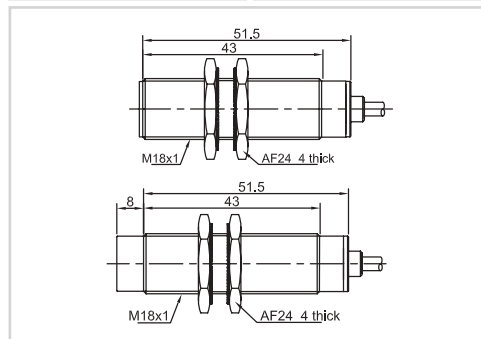


Item Code	LR18X		LR18X	
Mounting	● Flush	◐ Non-flush	● Flush	◐ Non-flush
Sensing distance	5mm	8mm	5mm	8mm



Output	NPN NO	LR18XBF05DNEW	LR18XBN08DNEW	LR18XBF05DNEW-E2	LR18XBN08DNEW-E2
	NPN NC	LR18XBF05DNCW	LR18XBN08DNCW	LR18XBF05DNCW-E2	LR18XBN08DNCW-E2
Output	PNP NO	LR18XBF05DPOW	LR18XBN08DPOW	LR18XBF05DPOW-E2	LR18XBN08DPOW-E2
	PNP NC	LR18XBF05DPCW	LR18XBN08DPCW	LR18XBF05DPCW-E2	LR18XBN08DPCW-E2

Technical Parameter				
Supply voltage	10...30 VDC	10...30 VDC	10...30 VDC	10...30 VDC
Switch point drift	< ±10% Sr	< ±10% Sr	< ±10% Sr	< ±10% Sr
Load current	<100mA	<100mA	<100mA	<100mA
Voltage drop	<2.5V	<2.5V	<2.5V	<2.5V
Consumption current	<15mA	<15mA	<15mA	<15mA
Hysteresis	1...20%	1...20%	1...20%	1...20%
Repeat accuracy	<5%	<5%	<5%	<5%
Frequency	400Hz	400Hz	400Hz	400Hz
Output indicator
Polarity protection	yes	yes	yes	yes
Dielectric strength	1000V/AC 50/60Hz 60s	1000V/AC 50/60Hz 60s	1000V/AC 50/60Hz 60s	1000V/AC 50/60Hz 60s
Short-circuit protection
Ambient temperature	-25...+120°C	-25...+120°C	-25...+120°C	-25...+120°C
Ambient moisture	35...95%	35...95%	35...95%	35...95%
Protection degree	IP67	IP67	IP67	IP67
Housing material	Nickel-copper alloy	Nickel-copper alloy	Nickel-copper alloy	Nickel-copper alloy
Connection	2m Silica Gel	2m Silica Gel	M12 Connector	M12 Connector
Certification	CE U _L	CE U _L	CE U _L	CE U _L



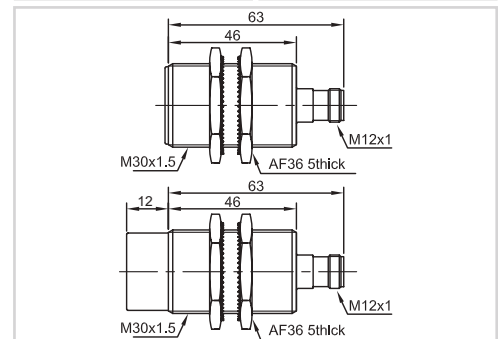
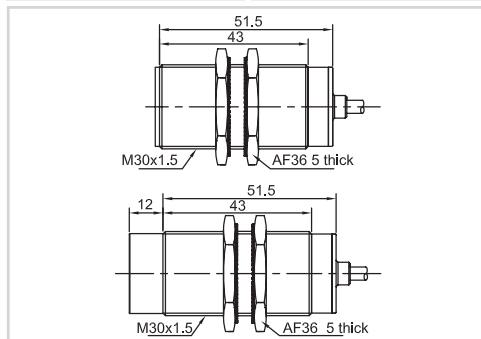
Item Code	LR30X		LR30X	
Mounting	● Flush	◐ Non-flush	● Flush	◐ Non-flush
Sensing distance	10mm	15mm	10mm	15mm



Output	NPN NO	LR30XBF10DNCW	LR30XBN15DNCW	LR30XBF10DNCW-E2	LR30XBN15DNCW-E2
	NPN NC	LR30XBF10DNCW	LR30XBN15DNCW	LR30XBF10DNCW-E2	LR30XBN15DNCW-E2
Output	PNP NO	LR30XBF10DPCW	LR30XBN15DPCW	LR30XBF10DPCW-E2	LR30XBN15DPCW-E2
	PNP NC	LR30XBF10DPCW	LR30XBN15DPCW	LR30XBF10DPCW-E2	LR30XBN15DPCW-E2

Technical Parameter

Supply voltage	10...30 VDC	10...30 VDC	10...30 VDC	10...30 VDC
Switch point drift	< ±10% Sr	< ±10% Sr	< ±10% Sr	< ±10% Sr
Load current	<100mA	<100mA	<100mA	<100mA
Voltage drop	<2.5V	<2.5V	<2.5V	<2.5V
Consumption current	<15mA	<15mA	<15mA	<15mA
Hysteresis	1...20%	1...20%	1...20%	1...20%
Repeat accuracy	<5%	<5%	<5%	<5%
Frequency	200Hz	200Hz	200Hz	200Hz
Output indicator
Polarity protection	yes	yes	yes	yes
Dielectric strength	1000V/AC 50/60Hz 60s	1000V/AC 50/60Hz 60s	1000V/AC 50/60Hz 60s	1000V/AC 50/60Hz 60s
Short-circuit protection
Ambient temperature	-25...+120°C	-25...+120°C	-25...+120°C	-25...+120°C
Ambient moisture	35...95%	35...95%	35...95%	35...95%
Protection degree	IP67	IP67	IP67	IP67
Housing material	Nickel-copper alloy	Nickel-copper alloy	Nickel-copper alloy	Nickel-copper alloy
Connection	2m Silica Gel	2m Silica Gel	M12 Connector	M12 Connector
Certification	CE U _L	CE U _L	CE U _L	CE U _L

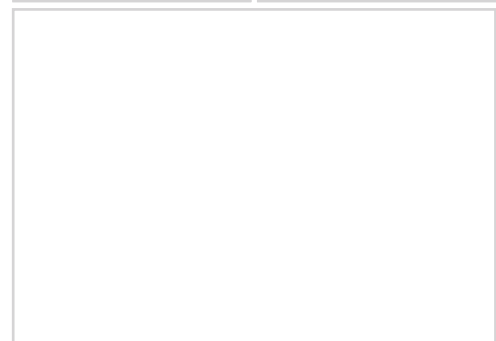
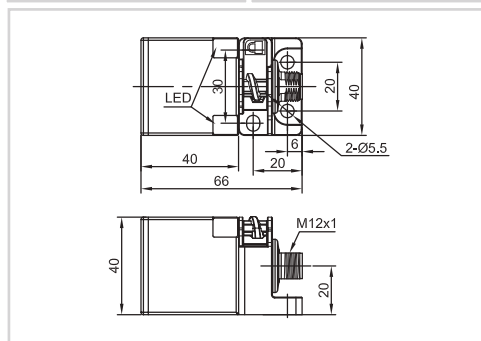




Item Code	LE40SZ	
Mounting	● Flush	◐ Non-flush
Sensing distance	15mm	20mm



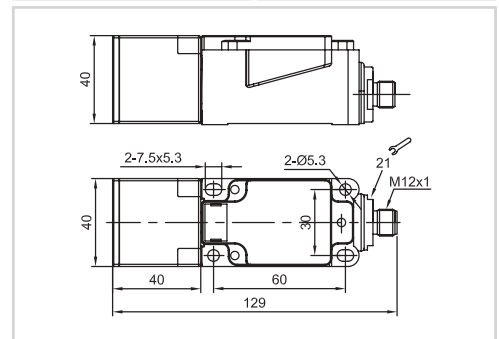
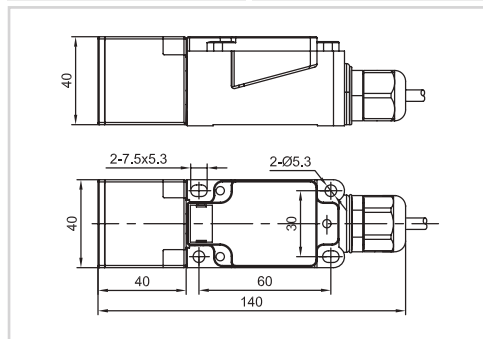
Output	NPN NO	LE40SZSF15DNOW2-E2	LE40SZSN20DNOW2-E2
	NPN NC	LE40SZSF15DNCW2-E2	LE40SZSN20DNCW2-E2
	NPN NO+NC	LE40SZSF15DNRW2-E2	LE40SZSN20DNRW2-E2
Output	PNP NO	LE40SZSF15DPOW2-E2	LE40SZSN20DPOW2-E2
	PNP NC	LE40SZSF15DPCW2-E2	LE40SZSN20DPCW2-E2
	PNP NO+NC	LE40SZSF15DPRW2-E2	LE40SZSN20DPRW2-E2

Technical Parameter	
Supply voltage	10...30 VDC
Switch point drift	< ±10% Sr
Load current	<150mA
Voltage drop	<2.5V
Consumption current	<15mA
Hysteresis	1...20%
Repeat accuracy	<5%
Frequency	300Hz
Output indicator	...
Polarity protection	yes
Dielectric strength	1000V/AC 50/60Hz 60s
Short-circuit protection	...
Ambient temperature	-25...+100°C
Ambient moisture	35...95%
Protection degree	IP67
Housing material	PBT
Connection	M12 Connector
Certification	CE



Item Code		LE40XZ		LE40XZ	
Mounting		● Flush	◐ Non-flush	● Flush	◐ Non-flush
Sensing distance		15mm	20mm	15mm	20mm
					
Output	NPN NO	LE40XZSF15DNOW2-D	LE40XZSN20DNOW2-D	LE40XZSF15DNOW2-E2	LE40XZSN20DNOW2-E2
	NPN NC	LE40XZSF15DNCW2-D	LE40XZSN20DNCW2-D	LE40XZSF15DNCW2-E2	LE40XZSN20DNCW2-E2
	NPN NO+NC	LE40XZSF15DNRW2-D	LE40XZSN20DNRW2-D	LE40XZSF15DNW2R-E2	LE40XZSN20DNRW2-E2
Output	PNP NO	LE40XZSF15DPOW2-D	LE40XZSN20DPOW2-D	LE40XZSF15DPOW2-E2	LE40XZSN20DPOW2-E2
	PNP NC	LE40XZSF15DPCW2-D	LE40XZSN20DPCW2-D	LE40XZSF15DPCW2-E2	LE40XZSN20DPCW2-E2
	PNP NO+NC	LE40XZSF15DPRW2-D	LE40XZSN20DPRW2-D	LE40XZSF15DPRW2-E2	LE40XZSN20DPRW2-E2

Technical Parameter				
Supply voltage	10...30 VDC	10...30 VDC	10...30 VDC	10...30 VDC
Switch point drift	<±10% Sr	<±10% Sr	<±10% Sr	<±10% Sr
Load current	<150mA	<150mA	<150mA	<150mA
Voltage drop	<2.5V	<2.5V	<2.5V	<2.5V
Consumption current	<15mA	<15mA	<15mA	<15mA
Hysteresis	1...20%	1...20%	1...20%	1...20%
Repeat accuracy	<5%	<5%	<5%	<5%
Frequency	300Hz	200Hz	300Hz	200Hz
Output indicator
Polarity protection	yes	yes	yes	yes
Dielectric strength	1000V/AC 50/60Hz 60s	1000V/AC 50/60Hz 60s	1000V/AC 50/60Hz 60s	1000V/AC 50/60Hz 60s
Short-circuit protection
Ambient temperature	-25...+100°C	-25...+100°C	-25...+100°C	-25...+100°C
Ambient moisture	35...95%	35...95%	35...95%	35...95%
Protection degree	IP67	IP67	IP67	IP67
Housing material	PBT	PBT	PBT	PBT
Connection	Terminal connect	Terminal connect	M12 Connector	M12 Connector
Certification	CE	CE	CE	CE



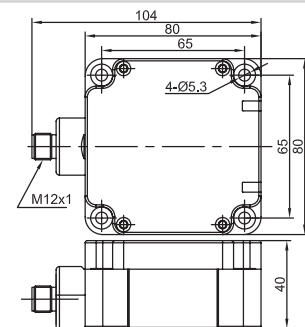
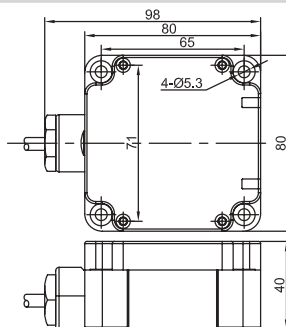
Item Code	LE80XZ		LE80XZ	
Mounting	● Flush	◐ Non-flush	● Flush	◐ Non-flush
Sensing distance	40mm	50mm	40mm	50mm



Output	NPN NO	LE80XZSF40DNOW2-D	LE80XZSN50DNOW2-D	LE80XZSF40DNOW2-E2	LE80XZSN50DNOW2-E2
	NPN NC	LE80XZSF40DNCW2-D	LE80XZSN50DNCW2-D	LE80XZSF40DNCW2-E2	LE80XZSN50DNCW2-E2
	NPN NO+NC	LE80XZSF40DNRW2-D	LE80XZSN50DNRW2-D	LE80XZSF40DNRW2-E2	LE80XZSN50DNRW2-E2
Output	PNP NO	LE80XZSF40DPOW2-D	LE80XZSN50DPOW2-D	LE80XZSF40DPOW2-E2	LE80XZSN50DPOW2-E2
	PNP NC	LE80XZSF40DPCW2-D	LE80XZSN50DPCW2-D	LE80XZSF40DPCW2-E2	LE80XZSN50DPCW2-E2
	PNP NO+NC	LE80XZSF40DPRW2-D	LE80XZSN50DPRW2-D	LE80XZSF40DPRW2-E2	LE80XZSN50DPRW2-E2

Technical Parameter

Supply voltage	10...30 VDC	10...30 VDC	10...30 VDC	10...30 VDC
Switch point drift	< ±10% Sr	< ±10% Sr	< ±10% Sr	< ±10% Sr
Load current	<150mA	<150mA	<150mA	<150mA
Voltage drop	<2.5V	<2.5V	<2.5V	<2.5V
Consumption current	<15mA	<15mA	<15mA	<15mA
Hysteresis	1...20%	1...20%	1...20%	1...20%
Repeat accuracy	<5%	<5%	<5%	<5%
Frequency	100Hz	50Hz	100Hz	50Hz
Output indicator
Polarity protection	yes	yes	yes	yes
Dielectric strength	1000V/AC 50/60Hz 60s	1000V/AC 50/60Hz 60s	1000V/AC 50/60Hz 60s	1000V/AC 50/60Hz 60s
Short-circuit protection
Ambient temperature	-25...+100°C	-25...+100°C	-25...+100°C	-25...+100°C
Ambient moisture	35...95%	35...95%	35...95%	35...95%
Protection degree	IP67	IP67	IP67	IP67
Housing material	PBT	PBT	PBT	PBT
Connection	Terminal connect	Terminal connect	M12 Connector	M12 Connector
Certification	CE	CE	CE	CE



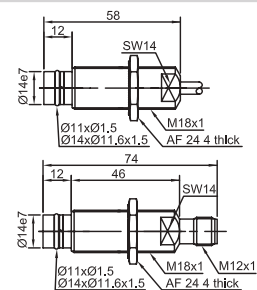
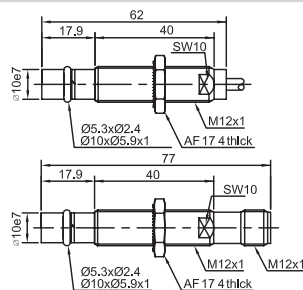
Item Code	LR12X		LR18X	
Mounting	● Flush	● Flush	● Flush	● Flush
Sensing distance	1.5mm	1.5mm	2mm	2mm



Output	NPN NO	LR12XBF15DNOB	LR12XBF15DNOB-E2	LR18XBF02DNOB	LR18XBF02DNOB-E2
	NPN NC	LR12XBF15DNCB	LR12XBF15DNCB-E2	LR18XBF02DNCB	LR18XBF02DNCB-E2
Output	PNP NO	LR12XBF15DPOB	LR12XBF15DPOB-E2	LR18XBF02DPOB	LR18XBF02DPOB-E2
	PNP NC	LR12XBF15DPCB	LR12XBF15DPCB-E2	LR18XBF02DPCB	LR18XBF02DPCB-E2

Technical Parameter				
Supply voltage	10...30 VDC	10...30 VDC	10...30 VDC	10...30 VDC
Switch point drift	<±15% Sr	<±15% Sr	<±15% Sr	<±15% Sr
Load current	<100mA	<100mA	<100mA	<100mA
Voltage drop	<2.5V	<2.5V	<2.5V	<2.5V
Consumption current	<15mA	<15mA	<15mA	<15mA
Hysteresis	1...20%	1...20%	1...20%	1...20%
Repeat accuracy	<5%	<5%	<5%	<5%
Frequency	600Hz	600Hz	200Hz	200Hz
Output indicator
Polarity protection	yes	yes	yes	yes
Dielectric strength	1000V/AC 50/60Hz 60s	1000V/AC 50/60Hz 60s	1000V/AC 50/60Hz 60s	1000V/AC 50/60Hz 60s
Short-circuit protection	yes	yes	yes	yes
Withstand	500bar	500bar	500bar	500bar
Ambient temperature	-25...+80°C	-25...+80°C	-25...+80°C	-25...+80°C
Ambient moisture	35...95%	35...95%	35...95%	35...95%
Protection degree	IP68	IP68	IP68	IP68
Housing material	Stainless steel	Stainless steel	Stainless steel	Stainless steel
Connection	2m PUR Cable	M12 Connector	2m PUR Cable	M12 Connector
Certification	CE U	CE U	CE U	CE U

* Cable material and length can be customized



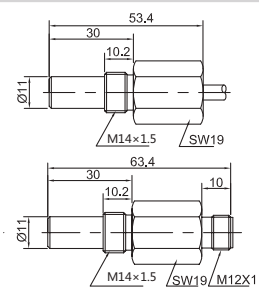
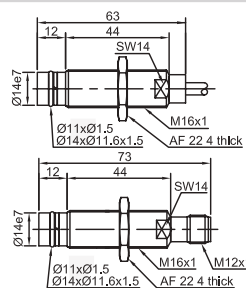
Item Code	LR16X		LR14X	
Mounting	● Flush	● Flush	● Flush	● Flush
Sensing distance	2mm	2mm	1.5mm	1.5mm



Output	NPN NO	LR16XBF02DNOB	LR16XBF02DNOB-E2	LR14XBF15DNOB	LR14XBF15DNOB-E2
	NPN NC	LR16XBF02DNCB	LR16XBF02DNCB-E2	LR14XBF15DNCB	LR14XBF15DNCB-E2
Output	PNP NO	LR16XBF02DPOB	LR16XBF02DPOB-E2	LR14XBF15DPOB	LR14XBF15DPOB-E2
	PNP NC	LR16XBF02DPCB	LR16XBF02DPCB-E2	LR14XBF15DPCB	LR14XBF15DPCB-E2

Technical Parameter				
Supply voltage	10...30 VDC	10...30 VDC	10...30 VDC	10...30 VDC
Switch point drift	< ±15% Sr	< ±15% Sr	< ±15% Sr	< ±15% Sr
Load current	<100mA	<100mA	<100mA	<100mA
Voltage drop	<2.5V	<2.5V	<2.5V	<2.5V
Consumption current	<15mA	<15mA	<15mA	<15mA
Hysteresis	1...20%	1...20%	1...20%	1...20%
Repeat accuracy	<5%	<5%	<5%	<5%
Frequency	600Hz	600Hz	600Hz	600Hz
Output indicator
Polarity protection	yes	yes	yes	yes
Dielectric strength	1000V/AC 50/60Hz 60s	1000V/AC 50/60Hz 60s	1000V/AC 50/60Hz 60s	1000V/AC 50/60Hz 60s
Short-circuit protection	yes	yes	yes	yes
Withstand	500bar	500bar	500bar	500bar
Ambient temperature	-25...+80°C	-25...+80°C	-25...+80°C	-25...+80°C
Ambient moisture	35...95%	35...95%	35...95%	35...95%
Protection degree	IP68	IP68	IP68	IP68
Housing material	Stainless steel	Stainless steel	Stainless steel	Stainless steel
Connection	2m PUR Cable	M12 Connector	2m PUR Cable	M12 Connector
Certification	CE U	CE U	CE	CE

* Cable material and length can be customized



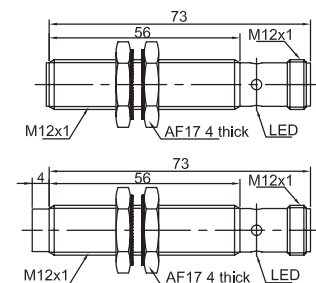
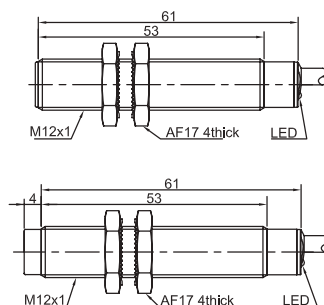
Item Code	LR12X		LR12X	
Mounting	● Flush	◐ Non-flush	● Flush	◐ Non-flush
Sensing distance	2mm	4mm	2mm	4mm



Output	NPN NO	LR12XCF02DNOG	LR12XCN04DNOG	LR12XCF02DNOG-E2	LR12XCN04DNOG-E2
	NPN NC	LR12XCF02DNCG	LR12XCN04DNCG	LR12XCF02DNCG-E2	LR12XCN04DNCG-E2
Output	PNP NO	LR12XCF02DPOG	LR12XCN04DPOG	LR12XCF02DPOG-E2	LR12XCN04DPOG-E2
	PNP NC	LR12XCF02DPCG	LR12XCN04DPCG	LR12XCF02DPCG-E2	LR12XCN04DPCG-E2

Technical Parameter				
Supply voltage	10...30 VDC	10...30 VDC	10...30 VDC	10...30 VDC
Switch point drift	<±10% Sr	<±10% Sr	<±10% Sr	<±10% Sr
Load current	<200mA	<200mA	<200mA	<200mA
Voltage drop	<2.5V	<2.5V	<2.5V	<2.5V
Consumption current	<10mA	<10mA	<10mA	<10mA
Hysteresis	1...20%	1...20%	1...20%	1...20%
Repeat accuracy	<3%	<3%	<3%	<3%
Frequency	4000Hz	3000Hz	4000Hz	3000Hz
Output indicator	Yellow LED	Yellow LED	Yellow LED	Yellow LED
Polarity protection	yes	yes	yes	yes
Dielectric strength	1000V/AC 50/60Hz 60s	1000V/AC 50/60Hz 60s	1000V/AC 50/60Hz 60s	1000V/AC 50/60Hz 60s
Short-circuit protection	yes	yes	yes	yes
Ambient temperature	-25...+70°C	-25...+70°C	-25...+70°C	-25...+70°C
Ambient moisture	35...95%	35...95%	35...95%	35...95%
Protection degree	IP67	IP67	IP67	IP67
Housing material	Nickel-copper alloy	Nickel-copper alloy	Nickel-copper alloy	Nickel-copper alloy
Connection	2m PVC Cable	2m PVC Cable	M12 Connector	M12 Connector
Certification	CE U _L	CE U _L	CE U _L	CE U _L

* Cable material and length can be customized



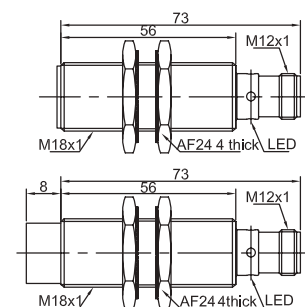
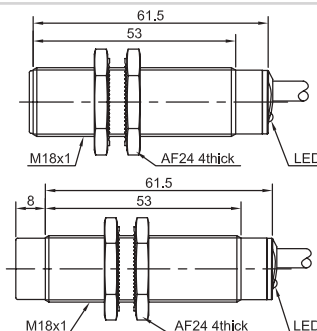
Item Code	LR18X		LR18X	
Mounting	● Flush	◐ Non-flush	● Flush	◐ Non-flush
Sensing distance	5mm	8mm	5mm	8mm



Output	NPN NO	LR18XCF05DNOG	LR18XCN08DNOG	LR18XCF05DNOG-E2	LR18XCN08DNOG-E2
	NPN NC	LR18XCF05DNCG	LR18XCN08DNCG	LR18XCF05DNCG-E2	LR18XCN08DNCG-E2
Output	PNP NO	LR18XCF05DPOG	LR18XCN08DPOG	LR18XCF05DPOG-E2	LR18XCN08DPOG-E2
	PNP NC	LR18XCF05DPCG	LR18XCN08DPCG	LR18XCF05DPCG-E2	LR18XCN08DPCG-E2

Technical Parameter				
Supply voltage	10...30 VDC	10...30 VDC	10...30 VDC	10...30 VDC
Switch point drift	< ±10% Sr	< ±10% Sr	< ±10% Sr	< ±10% Sr
Load current	<200mA	<200mA	<200mA	<200mA
Voltage drop	<2.5V	<2.5V	<2.5V	<2.5V
Consumption current	<10mA	<10mA	<10mA	<10mA
Hysteresis	1...20%	1...20%	1...20%	1...20%
Repeat accuracy	<3%	<3%	<3%	<3%
Frequency	2000Hz	1500Hz	2000Hz	1500Hz
Output indicator	Yellow LED	Yellow LED	Yellow LED	Yellow LED
Polarity protection	yes	yes	yes	yes
Dielectric strength	1000V/AC 50/60Hz 60s	1000V/AC 50/60Hz 60s	1000V/AC 50/60Hz 60s	1000V/AC 50/60Hz 60s
Short-circuit protection	yes	yes	yes	yes
Ambient temperature	-25...+70°C	-25...+70°C	-25...+70°C	-25...+70°C
Ambient moisture	35...95%	35...95%	35...95%	35...95%
Protection degree	IP67	IP67	IP67	IP67
Housing material	Nickel-copper alloy	Nickel-copper alloy	Nickel-copper alloy	Nickel-copper alloy
Connection	2m PVC Cable	2m PVC Cable	M12 Connector	M12 Connector
Certification	CE U _L	CE U _L	CE U _L	CE U _L

* Cable material and length can be customized



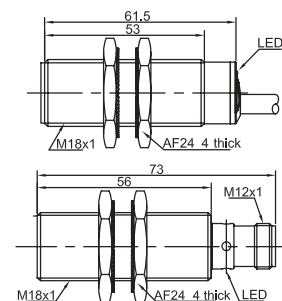
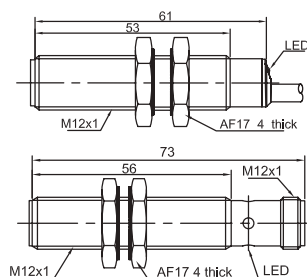
Item Code	FY12		FY18	
Mounting	● Flush	◐ Non-flush	● Flush	◐ Non-flush
Sensing distance	2mm	2mm	2mm	2mm



Output	NPN NO	FY12DNO	FY12DNO-E2	FY18DNO	FY18DNO-E2
	NPN NC	FY12DNC	FY12DNC-E2	FY18DNC	FY18DNC-E2
Output	PNP NO	FY12DPO	FY12DPO-E2	FY18DPO	FY18DPO-E2
	PNP NC	FY12DPC	FY12DPC-E2	FY18DPC	FY18DPC-E2

Technical Parameter				
Supply voltage	10...30 VDC	10...30 VDC	10...30 VDC	10...30 VDC
Switch point drift	<±10% Sr	<±10% Sr	<±10% Sr	<±10% Sr
Load current	<200mA	<200mA	<200mA	<200mA
Voltage drop	<2.5V	<2.5V	<2.5V	<2.5V
Consumption current	<10mA	<10mA	<10mA	<10mA
Hysteresis	1...15%	1...15%	1...15%	1...15%
Repeat accuracy	<3%	<3%	<3%	<3%
Frequency	25000Hz	25000Hz	25000Hz	25000Hz
Output indicator	Yellow LED	Yellow LED	Yellow LED	Yellow LED
Polarity protection	yes	yes	yes	yes
Dielectric strength	1000V/AC 50/60Hz 60s	1000V/AC 50/60Hz 60s	1000V/AC 50/60Hz 60s	1000V/AC 50/60Hz 60s
Short-circuit protection	yes	yes	yes	yes
Ambient temperature	-25...+70°C	-25...+70°C	-25...+70°C	-25...+70°C
Ambient moisture	35...95%	35...95%	35...95%	35...95%
Protection degree	IP67	IP67	IP67	IP67
Housing material	Nickel-copper alloy	Nickel-copper alloy	Nickel-copper alloy	Nickel-copper alloy
Connection	2m PVC Cable	M12 Connector	2m PVC Cable	M12 Connector
Certification	CE	CE	CE	CE

* Cable material and length can be customized



Item Code	LR12X		LR18X	
Mounting	● Flush	● Flush	● Flush	● Flush
Sensing distance	2mm	2mm	5mm	5mm

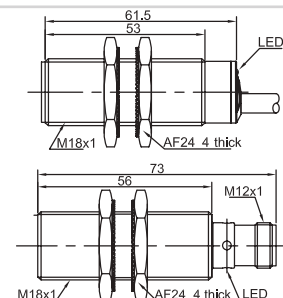
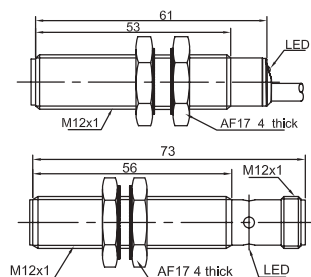


Output	NPN NO	LR12XCF02DNOQ	LR12XCF02DNOQ-E2	LR18XCF05DNOQ	LR18XCF05DNOQ-E2
	NPN NC	LR12XCF02DNCQ	LR12XCF02DNCQ-E2	LR18XCF05DNCQ	LR18XCF05DNCQ-E2
Output	PNP NO	LR12XCF02DPOQ	LR12XCF02DPOQ-E2	LR18XCF05DPOQ	LR18XCF05DPOQ-E2
	PNP NC	LR12XCF02DPCQ	LR12XCF02DPCQ-E2	LR18XCF05DPCQ	LR18XCF05DPCQ-E2

Technical Parameter				
Supply voltage	10...30 VDC	10...30 VDC	10...30 VDC	10...30 VDC
Switch point drift	< ±10% Sr	< ±10% Sr	< ±10% Sr	< ±10% Sr
Load current	<200mA	<200mA	<200mA	<200mA
Voltage drop	<2.5V	<2.5V	<2.5V	<2.5V
Consumption current	<15mA	<15mA	<15mA	<15mA
Hysteresis	1...20%	1...20%	1...20%	1...20%
Repeat accuracy	<3%	<3%	<3%	<3%
Frequency	300Hz	300Hz	200Hz	200Hz
Output indicator	Yellow LED	Yellow LED	Yellow LED	Yellow LED
Polarity protection	yes	yes	yes	yes
Dielectric strength	1000V/AC 50/60Hz 60s	1000V/AC 50/60Hz 60s	1000V/AC 50/60Hz 60s	1000V/AC 50/60Hz 60s
Short-circuit protection	yes	yes	yes	yes
Ambient temperature	80bar	80bar	60bar	60bar
Ambient moisture	-25...+70°C	-25...+70°C	-25...+70°C	-25...+70°C
Protection degree	35...95%	35...95%	35...95%	35...95%
Housing material	IP67	IP67	IP67	IP67
Connection	Stainless steel	Stainless steel	Stainless steel	Stainless steel
Certification	2m PVC Cable	M12 Connector	2m PVC Cable	M12 Connector



* Cable material and length can be customized



Item Code	LR30X			
Mounting	● Flush	● Flush		
Sensing distance	10mm	10mm		

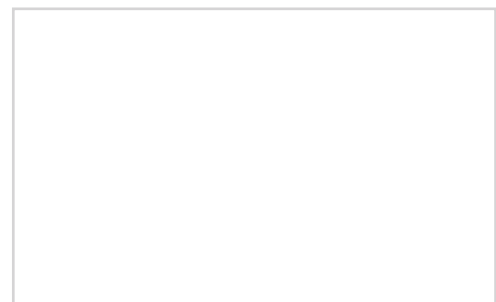
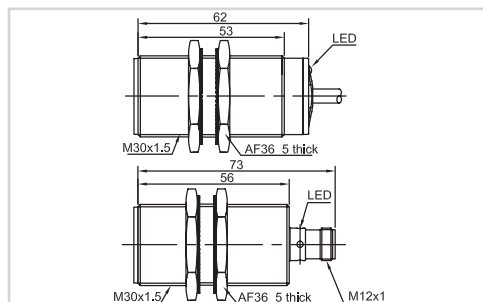


Output	NPN NO	LR30XCF10DNOQ	LR30XCF10DNOQ-E2		
	NPN NC	LR30XCF10DNCQ	LR30XCF10DNCQ-E2		
Output	PNP NO	LR30XCF10DPOQ	LR30XCF10DPOQ-E2		
	PNP NC	LR30XCF10DPCQ	LR30XCF10DPCQ-E2		

Technical Parameter					
Supply voltage		10...30 VDC	10...30 VDC		
Switch point drift		< ±10% Sr	< ±10% Sr		
Load current		<200mA	<200mA		
Voltage drop		<2.5V	<2.5V		
Consumption current		<15mA	<15mA		
Hysteresis		1...20%	1...20%		
Repeat accuracy		<3%	<3%		
Frequency		100Hz	100Hz		
Output indicator		Yellow LED	Yellow LED		
Polarity protection		yes	yes		
Dielectric strength		1000V/AC 50/60Hz 60s	1000V/AC 50/60Hz 60s		
Short-circuit protection		yes	yes		
Ambient temperature		40bar	40bar		
Ambient moisture		-25...+70°C	-25...+70°C		
Protection degree		35...95%	35...95%		
Housing material		IP67	IP67		
Connection		Stainless steel	Stainless steel		
Certification		2m PVC Cable	M12 Connector		



* Cable material and length can be customized



Item Code	LR12X		LR12X	
Mounting	● Flush	◐ Non-flush	● Flush	◐ Non-flush
Sensing distance	2mm	4mm	2mm	4mm

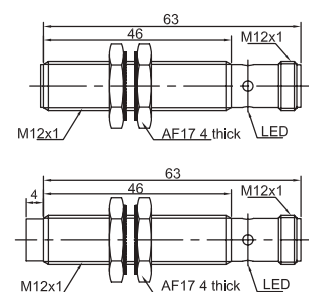
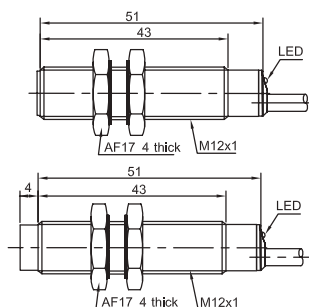


Output	NPN NO	LR12XBF02DNOA	LR12XBN04DNOA	LR12XBF02DNOA-E2	LR12XBN04DNOA-E2
	NPN NC	LR12XBF02DNCA	LR12XBN04DNCA	LR12XBF02DNCA-E2	LR12XBN04DNCA-E2
Output	PNP NO	LR12XBF02DPOA	LR12XBN04DPOA	LR12XBF02DPOA-E2	LR12XBN04DPOA-E2
	PNP NC	LR12XBF02DPCA	LR12XBN04DPCA	LR12XBF02DPCA-E2	LR12XBN04DPCA-E2

Technical Parameter

Supply voltage	10...30 VDC	10...30 VDC	10...30 VDC	10...30 VDC
Switch point drift	< ±10% Sr	< ±10% Sr	< ±10% Sr	< ±10% Sr
Load current	<200mA	<200mA	<200mA	<200mA
Voltage drop	<2.5V	<2.5V	<2.5V	<2.5V
Consumption current	<15mA	<15mA	<15mA	<15mA
Hysteresis	1...20%	1...20%	1...20%	1...20%
Repeat accuracy	<3%	<3%	<3%	<3%
Frequency	3000Hz	2000Hz	3000Hz	2000Hz
Output indicator	Yellow LED	Yellow LED	Yellow LED	Yellow LED
Polarity protection	yes	yes	yes	yes
Dielectric strength	1000V/AC 50/60Hz 60s	1000V/AC 50/60Hz 60s	1000V/AC 50/60Hz 60s	1000V/AC 50/60Hz 60s
Short-circuit protection	yes	yes	yes	yes
Ambient temperature	-25...+70°C	-25...+70°C	-25...+70°C	-25...+70°C
Ambient moisture	35...95%	35...95%	35...95%	35...95%
Protection degree	IP67	IP67	IP67	IP67
Housing material	Brass+PTFE	Brass+PTFE	Brass+PTFE	Brass+PTFE
Connection	2m PVC Cable	2m PVC Cable	M12 Connector	M12 Connector
Certification	CE	CE	CE	CE

* Cable material and length can be customized



Item Code	LR18X		LR18X	
Mounting	● Flush	◐ Non-flush	● Flush	◐ Non-flush
Sensing distance	5mm	8mm	5mm	8mm

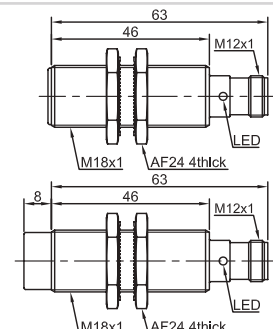
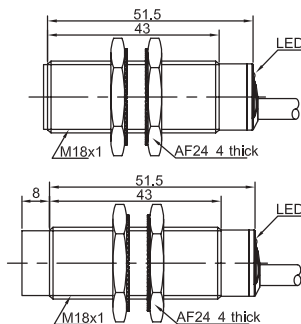


Output	NPN NO	LR18XBF05DNOA	LR18XBN08DNOA	LR18XBF05DNOA-E2	LR18XBN08DNOA-E2
	NPN NC	LR18XBF05DNCA	LR18XBN08DNCA	LR18XBF05DNCA-E2	LR18XBN08DNCA-E2
Output	PNP NO	LR18XBF05DPOA	LR18XBN08DPOA	LR18XBF05DPOA-E2	LR18XBN08DPOA-E2
	PNP NC	LR18XBF05DPCA	LR18XBN08DPCA	LR18XBF05DPCA-E2	LR18XBN08DPCA-E2

Technical Parameter

Supply voltage	10...30 VDC	10...30 VDC	10...30 VDC	10...30 VDC
Switch point drift	< ±10% Sr	< ±10% Sr	< ±10% Sr	< ±10% Sr
Load current	<200mA	<200mA	<200mA	<200mA
Voltage drop	<2.5V	<2.5V	<2.5V	<2.5V
Consumption current	<15mA	<15mA	<15mA	<15mA
Hysteresis	1...20%	1...20%	1...20%	1...20%
Repeat accuracy	<3%	<3%	<3%	<3%
Frequency	1500Hz	1000Hz	1500Hz	1000Hz
Output indicator	Yellow LED	Yellow LED	Yellow LED	Yellow LED
Polarity protection	yes	yes	yes	yes
Dielectric strength	1000V/AC 50/60Hz 60s	1000V/AC 50/60Hz 60s	1000V/AC 50/60Hz 60s	1000V/AC 50/60Hz 60s
Short-circuit protection	yes	yes	yes	yes
Ambient temperature	-25...+70°C	-25...+70°C	-25...+70°C	-25...+70°C
Ambient moisture	35...95%	35...95%	35...95%	35...95%
Protection degree	IP67	IP67	IP67	IP67
Housing material	Brass+PTFE	Brass+PTFE	Brass+PTFE	Brass+PTFE
Connection	2m PVC Cable	2m PVC Cable	M12 Connector	M12 Connector
Certification	CE	CE	CE	CE

* Cable material and length can be customized



Item Code	LR30X		LR30X	
Mounting	● Flush	◐ Non-flush	● Flush	◐ Non-flush
Sensing distance	10mm	15mm	10mm	15mm

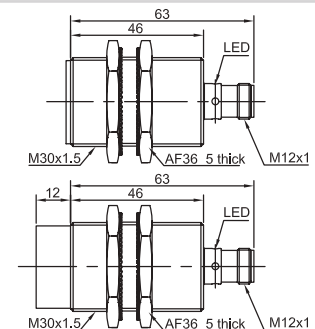
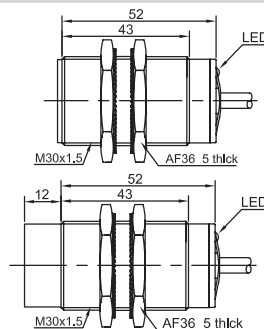


Output	NPN NO	LR30XBF10DNOA	LR30XBN15DNOA	LR30XBF10DNOA-E2	LR30XBN15DNOA-E2
	NPN NC	LR30XBF10DNCA	LR30XBN15DNCA	LR30XBF10DNCA-E2	LR30XBN15DNCA-E2
Output	PNP NO	LR30XBF10DPOA	LR30XBN15DPOA	LR30XBF10DPOA-E2	LR30XBN15DPOA-E2
	PNP NC	LR30XBF10DPCA	LR30XBN15DPCA	LR30XBF10DPCA-E2	LR30XBN15DPCA-E2

Technical Parameter

Supply voltage	10...30 VDC	10...30 VDC	10...30 VDC	10...30 VDC
Switch point drift	< ±10% Sr	< ±10% Sr	< ±10% Sr	< ±10% Sr
Load current	<200mA	<200mA	<200mA	<200mA
Voltage drop	<2.5V	<2.5V	<2.5V	<2.5V
Consumption current	<15mA	<15mA	<15mA	<15mA
Hysteresis	1...20%	1...20%	1...20%	1...20%
Repeat accuracy	<3%	<3%	<3%	<3%
Frequency	800Hz	500Hz	800Hz	500Hz
Output indicator	Yellow LED	Yellow LED	Yellow LED	Yellow LED
Polarity protection	yes	yes	yes	yes
Dielectric strength	1000V/AC 50/60Hz 60s	1000V/AC 50/60Hz 60s	1000V/AC 50/60Hz 60s	1000V/AC 50/60Hz 60s
Short-circuit protection	yes	yes	yes	yes
Ambient temperature	-25...+70°C	-25...+70°C	-25...+70°C	-25...+70°C
Ambient moisture	35...95%	35...95%	35...95%	35...95%
Protection degree	IP67	IP67	IP67	IP67
Housing material	Brass+PTFE	Brass+PTFE	Brass+PTFE	Brass+PTFE
Connection	2m PVC Cable	2m PVC Cable	M12 Connector	M12 Connector
Certification	CE	CE	CE	CE

* Cable material and length can be customized

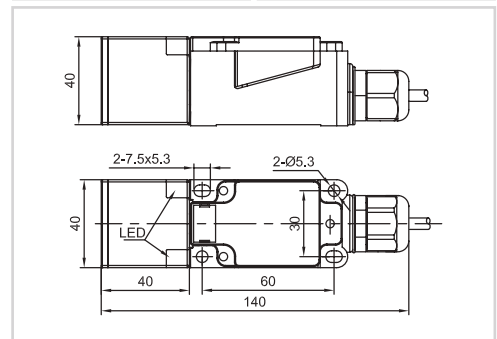
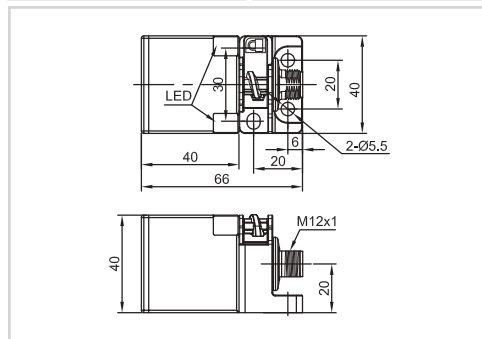


Item Code	LE40SZ		LE40XZ	
Mounting	● Flush	◐ Non-flush	● Flush	◐ Non-flush
Sensing distance	15mm	20mm	15mm	20mm



Output	NPN NO	LE40SZSF15DNOA-E2	LE40SZSN20DNOA-E2	LE40XZSF15DNOA-D	LE40XZSN20DNOA-D
	NPN NC	LE40SZSF15DNCA-E2	LE40SZSN20DNCA-E2	LE40XZSF15DNCA-D	LE40XZSN20DNCA-D
Output	PNP NO	LE40SZSF15DPOA-E2	LE40SZSN20DPOA-E2	LE40XZSF15DPOA-D	LE40XZSN20DPOA-D
	PNP NC	LE40SZSF15DPCA-E2	LE40SZSN20DPCA-E2	LE40XZSF15DPCA-D	LE40XZSN20DPCA-D

Technical Parameter				
Supply voltage	10...30 VDC	10...30 VDC	10...30 VDC	10...30 VDC
Switch point drift	< ±10% Sr	< ±10% Sr	< ±10% Sr	< ±10% Sr
Load current	<200mA	<200mA	<200mA	<200mA
Voltage drop	<2.5V	<2.5V	<2.5V	<2.5V
Consumption current	<15mA	<15mA	<15mA	<15mA
Hysteresis	1...15%	1...15%	1...15%	1...15%
Repeat accuracy	<3%	<3%	<3%	<3%
Frequency	300Hz	200Hz	300Hz	200Hz
Output indicator	Yellow LED	Yellow LED	Yellow LED	Yellow LED
Polarity protection	yes	yes	yes	yes
Dielectric strength	1000V/AC 50/60Hz 60s	1000V/AC 50/60Hz 60s	1000V/AC 50/60Hz 60s	1000V/AC 50/60Hz 60s
Short-circuit protection	yes	yes	yes	yes
Ambient temperature	-25...+70°C	-25...+70°C	-25...+70°C	-25...+70°C
Ambient moisture	35...95%	35...95%	35...95%	35...95%
Protection degree	IP67	IP67	IP67	IP67
Housing material	PBT+PTFE	PBT+PTFE	PBT+PTFE	PBT+PTFE
Connection	M12 Connector	M12 Connector	Terminal connect	Terminal connect
Certification	CE	CE	CE	CE



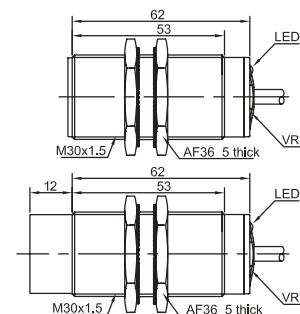
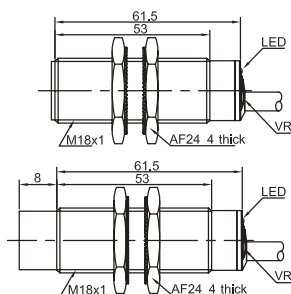
Item Code	LR18X		LR30X	
Mounting	● Flush	◐ Non-flush	● Flush	◐ Non-flush
Sensing distance	5mm	8mm	10mm	15mm



Output	NPN NC	LR18XCF05DNCJ	LR18XCN08DNCJ	LR30XCF10DNCJ	LR30XCN15DNCJ
Output	PNP NC	LR18XCF05DPCJ	LR18XCN08DPCJ	LR30XCF10DPCJ	LR30XCN15DPCJ

Technical Parameter				
Supply voltage	10...30 VDC	10...30 VDC	10...30 VDC	10...30 VDC
Switch point drift	< ±10% Sr	< ±10% Sr	< ±10% Sr	< ±10% Sr
Load current	<200mA	<200mA	<200mA	<200mA
Voltage drop	<2.5V	<2.5V	<2.5V	<2.5V
Consumption current	<15mA	<15mA	<15mA	<15mA
Hysteresis	1...20%	1...20%	1...20%	1...20%
Repeat accuracy	<3%	<3%	<3%	<3%
Frequency
Output indicator	Yellow LED	Yellow LED	Yellow LED	Yellow LED
Polarity protection	yes	yes	yes	yes
Dielectric strength	1000V/AC 50/60Hz 60s	1000V/AC 50/60Hz 60s	1000V/AC 50/60Hz 60s	1000V/AC 50/60Hz 60s
Short-circuit protection	3...3000 /mins	3...3000 /mins	3...3000 /mins	3...3000 /mins
Ambient temperature	-25...+70°C	-25...+70°C	-25...+70°C	-25...+70°C
Ambient moisture	35...95%	35...95%	35...95%	35...95%
Protection degree	IP67	IP67	IP67	IP67
Housing material	Nickel-copper alloy	Nickel-copper alloy	Nickel-copper alloy	Nickel-copper alloy
Connection	2m PVC Cable	2m PVC Cable	2m PVC Cable	2m PVC Cable
Certification	CE	CE	CE	CE

* Cable material and length can be customized



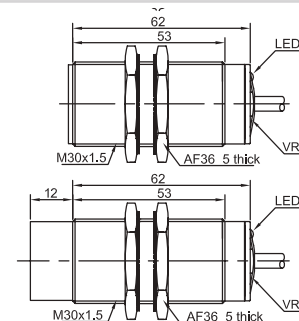
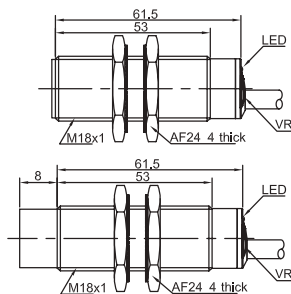
Item Code	LR18X		LR30X	
Mounting	● Flush	◐ Non-flush	● Flush	◐ Non-flush
Sensing distance	5mm	8mm	10mm	15mm



Output	AC 2 Wires NC	LR18XCF05ATCJ	LR18XCN08ATCJ	LR30XCF10ATCJ	LR30XCN15ATCJ

Technical Parameter				
Supply voltage	20...250 VAC	20...250 VAC	20...250 VAC	20...250 VAC
Switch point drift	<±10% Sr	<±10% Sr	<±10% Sr	<±10% Sr
Load current	<300mA	<300mA	<300mA	<300mA
Voltage drop	<10V	<10V	<10V	<10V
Leakage current	<3mA	<3mA	<3mA	<3mA
Hysteresis	1...20%	1...20%	1...20%	1...20%
Repeat accuracy	<3%	<3%	<3%	<3%
Frequency
Output indicator	Yellow LED	Yellow LED	Yellow LED	Yellow LED
Polarity protection
Dielectric strength	1000V/AC 50/60Hz 60s	1000V/AC 50/60Hz 60s	1000V/AC 50/60Hz 60s	1000V/AC 50/60Hz 60s
Short-circuit protection	3...1200/mins	3...1200/mins	3...1200/mins	3...1200/mins
Ambient temperature	-25...+70°C	-25...+70°C	-25...+70°C	-25...+70°C
Ambient moisture	35...95%	35...95%	35...95%	35...95%
Protection degree	IP67	IP67	IP67	IP67
Housing material	Nickel-copper alloy	Nickel-copper alloy	Nickel-copper alloy	Nickel-copper alloy
Connection	2m PVC Cable	2m PVC Cable	2m PVC Cable	2m PVC Cable
Certification	CE	CE	CE	CE

* Cable material and length can be customized



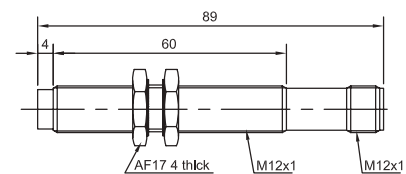
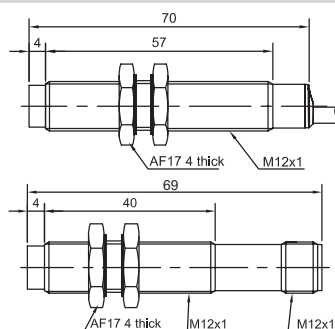
Item Code	LR12X		LR12X	
Mounting	● Non-flush	● Non-flush	● Non-flush	
Sensing distance	3.7mm	3.7mm	3.7mm	



Output	PNP NO	LR12XCN37HPOZ	LR12XBN37HPOZ-E2	LR12XDN37HPOZ-E2	
	PNP NC	LR12XCN37HPCZ	LR12XBN37HPCZ-E2	LR12XDN37HPCZ-E2	
Output					

Technical Parameter					
Supply voltage		20...30 VDC	20...30 VDC	20...30 VDC	
Switch point drift		< ±10% Sr	< ±10% Sr	< ±10% Sr	
Load current		<130mA	<130mA	<130mA	
Voltage drop		<5V	<5V	<5V	
Consumption current		<25mA	<25mA	<25mA	
Hysteresis		1...20%	1...20%	1...20%	
Repeat accuracy		<5%	<5%	<5%	
Frequency		300Hz	300Hz	300Hz	
Output indicator		
Polarity protection		yes	yes	yes	
Dielectric strength		1000V/AC 50/60Hz 60s	1000V/AC 50/60Hz 60s	1000V/AC 50/60Hz 60s	
Short-circuit protection		yes	yes	yes	
Ambient temperature		-25...+70°C	-25...+70°C	-25...+70°C	
Ambient moisture		35...95%	35...95%	35...95%	
Protection degree		IP67	IP67	IP67	
Housing material		Nickel-copper alloy	Nickel-copper alloy	Nickel-copper alloy	
Connection		2m PVC Cable	M12 Connector	M12 Connector	
Certification		CE U _L	CE U _L	CE U _L	

* Cable material and length can be customized



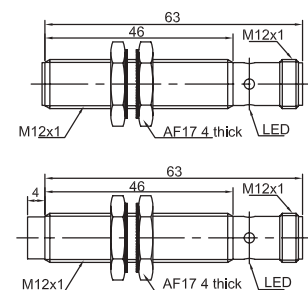
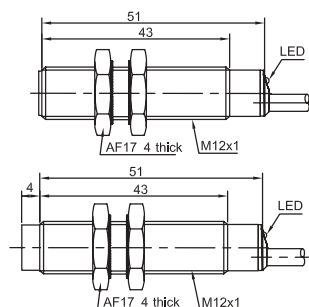
Item Code	LR12X		LR12X	
Mounting	● Flush	◐ Non-flush	● Flush	◐ Non-flush
Sensing distance	2mm	4mm	2mm	4mm



Output	NPN NO	LR12XBF02ENO	LR12XBN04ENO	LR12XBF02ENO-E2	LR12XBN04ENO-E2
	NPN NC	LR12XBF02ENC	LR12XBN04ENC	LR12XBF02ENC-E2	LR12XBN04ENC-E2
Output	PNP NO	LR12XBF02EPO	LR12XBN04EPO	LR12XBF02EPO-E2	LR12XBN04EPO-E2
	PNP NC	LR12XBF02EPC	LR12XBN04EPC	LR12XBF02EPC-E2	LR12XBN04EPC-E2

Technical Parameter				
Supply voltage	10...60 VDC	10...60 VDC	10...60 VDC	10...60 VDC
Switch point drift	< ±10% Sr	< ±10% Sr	< ±10% Sr	< ±10% Sr
Load current	<200mA	<200mA	<200mA	<200mA
Voltage drop	<2.5V	<2.5V	<2.5V	<2.5V
Consumption current	<10mA	<10mA	<10mA	<10mA
Hysteresis	1...20%	1...20%	1...20%	1...20%
Repeat accuracy	<3%	<3%	<3%	<3%
Frequency	1500Hz	1000Hz	1500Hz	1000Hz
Output indicator	Yellow LED	Yellow LED	Yellow LED	Yellow LED
Polarity protection	yes	yes	yes	yes
Dielectric strength	1000V/AC 50/60Hz 60s	1000V/AC 50/60Hz 60s	1000V/AC 50/60Hz 60s	1000V/AC 50/60Hz 60s
Short-circuit protection	yes	yes	yes	yes
Ambient temperature	-25...+70°C	-25...+70°C	-25...+70°C	-25...+70°C
Ambient moisture	35...95%	35...95%	35...95%	35...95%
Protection degree	IP67	IP67	IP67	IP67
Housing material	Nickel-copper alloy	Nickel-copper alloy	Nickel-copper alloy	Nickel-copper alloy
Connection	2m PVC Cable	2m PVC Cable	M12 Connector	M12 Connector
Certification	CE	CE	CE	CE

* Cable material and length can be customized



Item Code	LR18X		LR18X	
Mounting	● Flush	◐ Non-flush	● Flush	◐ Non-flush
Sensing distance	5mm	8mm	5mm	8mm

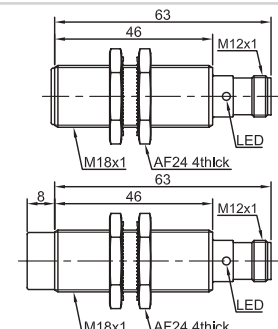
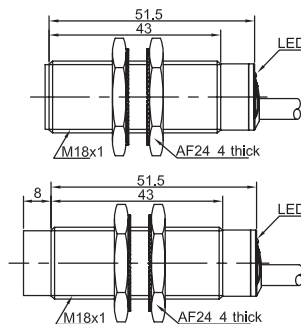


Output	NPN NO	LR18XBFO5ENO	LR18XBN08ENO	LR18XBFO5ENO-E2	LR18XBN08ENO-E2
	NPN NC	LR18XBFO5ENC	LR18XBN08ENC	LR18XBFO5ENC-E2	LR18XBN08ENC-E2
Output	PNP NO	LR18XBFO5EPO	LR18XBN08EPO	LR18XBFO5EPO-E2	LR18XBN08EPO-E2
	PNP NC	LR18XBFO5EPC	LR18XBN08EPC	LR18XBFO5EPC-E2	LR18XBN08EPC-E2

Technical Parameter

Supply voltage	10...60 VDC	10...60 VDC	10...60 VDC	10...60 VDC
Switch point drift	< ±10% Sr	< ±10% Sr	< ±10% Sr	< ±10% Sr
Load current	<200mA	<200mA	<200mA	<200mA
Voltage drop	<2.5V	<2.5V	<2.5V	<2.5V
Consumption current	<10mA	<10mA	<10mA	<10mA
Hysteresis	1...20%	1...20%	1...20%	1...20%
Repeat accuracy	<3%	<3%	<3%	<3%
Frequency	1000Hz	800Hz	1000Hz	800Hz
Output indicator	Yellow LED	Yellow LED	Yellow LED	Yellow LED
Polarity protection	yes	yes	yes	yes
Dielectric strength	1000V/AC 50/60Hz 60s	1000V/AC 50/60Hz 60s	1000V/AC 50/60Hz 60s	1000V/AC 50/60Hz 60s
Short-circuit protection	yes	yes	yes	yes
Ambient temperature	-25...+70°C	-25...+70°C	-25...+70°C	-25...+70°C
Ambient moisture	35...95%	35...95%	35...95%	35...95%
Protection degree	IP67	IP67	IP67	IP67
Housing material	Nickel-copper alloy	Nickel-copper alloy	Nickel-copper alloy	Nickel-copper alloy
Connection	2m PVC Cable	2m PVC Cable	M12 Connector	M12 Connector
Certification	CE	CE	CE	CE

* Cable material and length can be customized



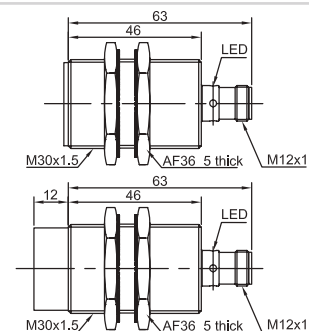
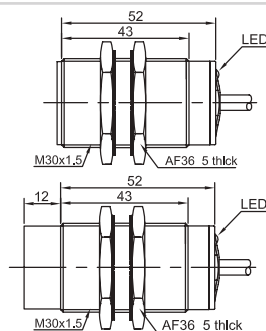
Item Code	LR30X		LR30X	
Mounting	● Flush	◐ Non-flush	● Flush	◐ Non-flush
Sensing distance	10 mm	15mm	10 mm	15mm



Output	NPN NO	LR30XB10ENO	LR30XBN15ENO	LR30XB10ENO-E2	LR30XBN15ENO-E2
	NPN NC	LR30XB10ENC	LR30XBN15ENC	LR30XB10ENC-E2	LR30XBN15ENC-E2
Output	PNP NO	LR30XB10EPO	LR30XBN15EPO	LR30XB10EPO-E2	LR30XBN15EPO-E2
	PNP NC	LR30XB10EPC	LR30XBN15EPC	LR30XB10EPC-E2	LR30XBN15EPC-E2

Technical Parameter				
Supply voltage	10...60 VDC	10...60 VDC	10...60 VDC	10...60 VDC
Switch point drift	< ±10% Sr	< ±10% Sr	< ±10% Sr	< ±10% Sr
Load current	<200mA	<200mA	<200mA	<200mA
Voltage drop	<2.5V	<2.5V	<2.5V	<2.5V
Consumption current	<10mA	<10mA	<10mA	<10mA
Hysteresis	1...20%	1...20%	1...20%	1...20%
Repeat accuracy	<3%	<3%	<3%	<3%
Frequency	500Hz	300Hz	500Hz	300Hz
Output indicator	Yellow LED	Yellow LED	Yellow LED	Yellow LED
Polarity protection	yes	yes	yes	yes
Dielectric strength	1000V/AC 50/60Hz 60s	1000V/AC 50/60Hz 60s	1000V/AC 50/60Hz 60s	1000V/AC 50/60Hz 60s
Short-circuit protection	yes	yes	yes	yes
Ambient temperature	-25...+70°C	-25...+70°C	-25...+70°C	-25...+70°C
Ambient moisture	35...95%	35...95%	35...95%	35...95%
Protection degree	IP67	IP67	IP67	IP67
Housing material	Nickel-copper alloy	Nickel-copper alloy	Nickel-copper alloy	Nickel-copper alloy
Connection	2m PVC Cable	2m PVC Cable	M12 Connector	M12 Connector
Certification	CE	CE	CE	CE

* Cable material and length can be customized



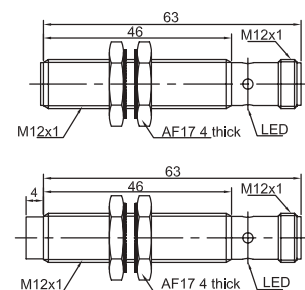
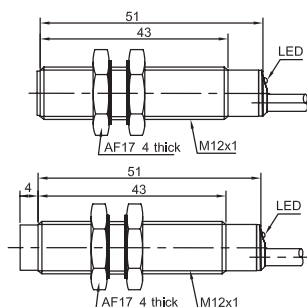
Item Code	LR12X		LR12X	
Mounting	● Flush	◐ Non-flush	● Flush	◐ Non-flush
Sensing distance	2mm	4mm	2mm	4mm



Output	DC 2 Wires NO	LR12XBF02ELO	LR12XBN04ELO	LR12XBF02ELO-E2	LR12XBN04ELO-E2
	DC 2 Wires NC	LR12XBF02ELC	LR12XBN04ELC	LR12XBF02ELC-E2	LR12XBN04ELC-E2

Technical Parameter				
Supply voltage	10...60 VDC	10...60 VDC	10...60 VDC	10...60 VDC
Switch point drift	< ±10% Sr	< ±10% Sr	< ±10% Sr	< ±10% Sr
Load current	<100mA	<100mA	<100mA	<100mA
Voltage drop	<6V	<6V	<6V	<6V
Leakage current	<1mA	<1mA	<1mA	<1mA
Hysteresis	1...20%	1...20%	1...20%	1...20%
Repeat accuracy	<3%	<3%	<3%	<3%
Frequency	800Hz	500Hz	800Hz	500Hz
Output indicator	Yellow LED	Yellow LED	Yellow LED	Yellow LED
Polarity protection	yes	yes	yes	yes
Dielectric strength	1000V/AC 50/60Hz 60s	1000V/AC 50/60Hz 60s	1000V/AC 50/60Hz 60s	1000V/AC 50/60Hz 60s
Short-circuit protection	yes	yes	yes	yes
Ambient temperature	-25...+70°C	-25...+70°C	-25...+70°C	-25...+70°C
Ambient moisture	35...95%	35...95%	35...95%	35...95%
Protection degree	IP67	IP67	IP67	IP67
Housing material	Nickel-copper alloy	Nickel-copper alloy	Nickel-copper alloy	Nickel-copper alloy
Connection	2m PVC Cable	2m PVC Cable	M12 Connector	M12 Connector
Certification	CE	CE	CE	CE

* Cable material and length can be customized



Item Code	LR18X		LR18X	
Mounting	● Flush	◐ Non-flush	● Flush	◐ Non-flush
Sensing distance	5 mm	8mm	5 mm	8mm

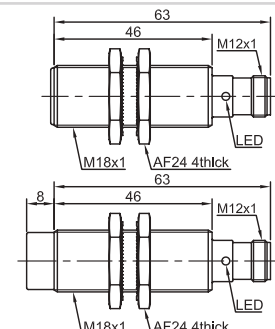
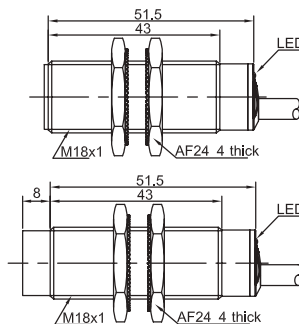


Output	DC 2 Wires NO	LR18XBF05ELO	LR18XBN08ELO	LR18XBF05ELO-E2	LR18XBN08ELO-E2
	DC 2 Wires NC	LR18XBF05ELC	LR18XBN08ELC	LR18XBF05ELC-E2	LR18XBN08ELC-E2

Technical Parameter

Supply voltage	10...60 VDC	10...60 VDC	10...60 VDC	10...60 VDC
Switch point drift	< ±10% Sr	< ±10% Sr	< ±10% Sr	< ±10% Sr
Load current	<100mA	<100mA	<100mA	<100mA
Voltage drop	<6V	<6V	<6V	<6V
Leakage current	<1mA	<1mA	<1mA	<1mA
Hysteresis	1...20%	1...20%	1...20%	1...20%
Repeat accuracy	<3%	<3%	<3%	<3%
Frequency	500Hz	300Hz	500Hz	300Hz
Output indicator	Yellow LED	Yellow LED	Yellow LED	Yellow LED
Polarity protection	yes	yes	yes	yes
Dielectric strength	1000V/AC 50/60Hz 60s	1000V/AC 50/60Hz 60s	1000V/AC 50/60Hz 60s	1000V/AC 50/60Hz 60s
Short-circuit protection	yes	yes	yes	yes
Ambient temperature	-25...+70°C	-25...+70°C	-25...+70°C	-25...+70°C
Ambient moisture	35...95%	35...95%	35...95%	35...95%
Protection degree	IP67	IP67	IP67	IP67
Housing material	Nickel-copper alloy	Nickel-copper alloy	Nickel-copper alloy	Nickel-copper alloy
Connection	2m PVC Cable	2m PVC Cable	M12 Connector	M12 Connector
Certification	CE	CE	CE	CE

* Cable material and length can be customized



Item Code	LR30X		LR30X	
Mounting	● Flush	◐ Non-flush	● Flush	◐ Non-flush
Sensing distance	10mm	15mm	10mm	15mm

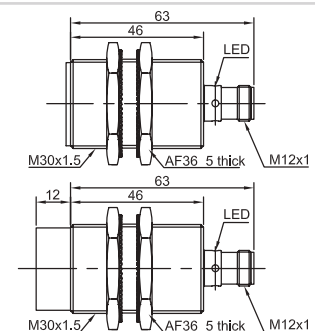
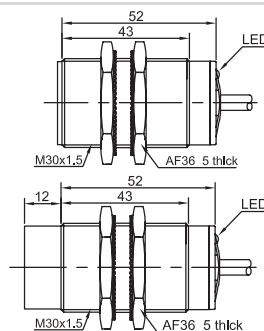


Output	DC 2 Wires NO	LR30XB10ELO	LR30XBN15ELO	LR30XB10ELO-E2	LR30XBN15ELO-E2
	DC 2 Wires NC	LR30XB10ELC	LR30XBN15ELC	LR30XB10ELC-E2	LR30XBN15ELC-E2

Technical Parameter

Supply voltage	10...60 VDC	10...60 VDC	10...60 VDC	10...60 VDC
Switch point drift	< ±10% Sr	< ±10% Sr	< ±10% Sr	< ±10% Sr
Load current	<100mA	<100mA	<100mA	<100mA
Voltage drop	<6V	<6V	<6V	<6V
Leakage current	<1mA	<1mA	<1mA	<1mA
Hysteresis	1...20%	1...20%	1...20%	1...20%
Repeat accuracy	<3%	<3%	<3%	<3%
Frequency	300Hz	200Hz	300Hz	200Hz
Output indicator	Yellow LED	Yellow LED	Yellow LED	Yellow LED
Polarity protection	yes	yes	yes	yes
Dielectric strength	1000V/AC 50/60Hz 60s	1000V/AC 50/60Hz 60s	1000V/AC 50/60Hz 60s	1000V/AC 50/60Hz 60s
Short-circuit protection	yes	yes	yes	yes
Ambient temperature	-25...+70°C	-25...+70°C	-25...+70°C	-25...+70°C
Ambient moisture	35...95%	35...95%	35...95%	35...95%
Protection degree	IP67	IP67	IP67	IP67
Housing material	Nickel-copper alloy	Nickel-copper alloy	Nickel-copper alloy	Nickel-copper alloy
Connection	2m PVC Cable	2m PVC Cable	M12 Connector	M12 Connector
Certification	CE	CE	CE	CE

* Cable material and length can be customized

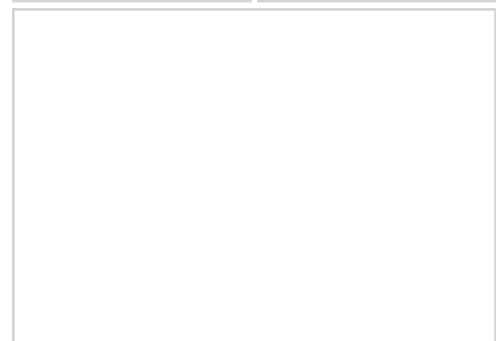
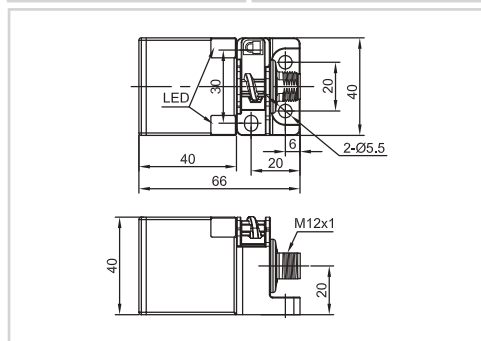




Item Code	LE40SZ			
Mounting	● Flush	◐ Non-flush		
Sensing distance	15mm	20mm		



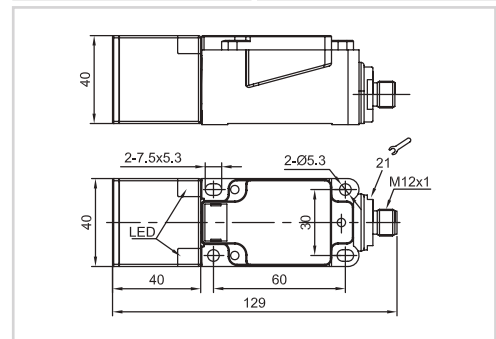
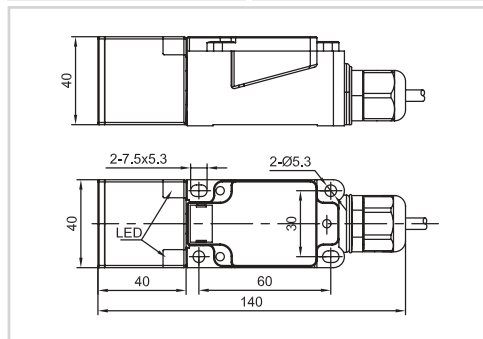
Output	NPN NO	LE40SZSF15ENO-E2	LE40SZSN20ENO-E2		
	NPN NC	LE40SZSF15ENC-E2	LE40SZSN20ENC-E2		
	NPN NO+NC	LE40SZSF15ENR-E2	LE40SZSN20ENR-E2		
Output	PNP NO	LE40SZSF15EPO-E2	LE40SZSN20EPO-E2		
	PNP NC	LE40SZSF15EPC-E2	LE40SZSN20EPC-E2		
	PNP NO+NC	LE40SZSF15EPR-E2	LE40SZSN20EPR-E2		

Technical Parameter				
Supply voltage	10..60 VDC	10..60 VDC		
Switch point drift	< ±10% Sr	< ±10% Sr		
Load current	<200mA	<200mA		
Voltage drop	< 2.5V	< 2.5V		
Consumption current	<10mA	<10mA		
Hysteresis	1...20%	1...20%		
Repeat accuracy	<3%	<3%		
Frequency	500Hz	300Hz		
Output indicator	Yellow LED	Yellow LED		
Polarity protection	yes	yes		
Dielectric strength	1000V/AC 50/60Hz 60s	1000V/AC 50/60Hz 60s		
Short-circuit protection	yes	yes		
Ambient temperature	-25...+70°C	-25...+70°C		
Ambient moisture	35...95%	35...95%		
Protection degree	IP67	IP67		
Housing material	PBT	PBT		
Connection	M12 Connector	M12 Connector		
Certification	CE	CE		



Item Code		LE40XZ		LE40XZ	
Mounting		● Flush	◐ Non-flush	● Flush	◐ Non-flush
Sensing distance		15mm	20mm	15mm	20mm
					
Output	NPN NO	LE40XZSF15ENO-D	LE40XZSN20ENO-D	LE40XZSF15ENO-E2	LE40XZSN20ENO-E2
	NPN NC	LE40XZSF15ENC-D	LE40XZSN20ENC-D	LE40XZSF15ENC-E2	LE40XZSN20ENC-E2
	NPN NO+NC	LE40XZSF15ENR-D	LE40XZSN20ENR-D	LE40XZSF15ENR-E2	LE40XZSN20ENR-E2
Output	PNP NO	LE40XZSF15EPO-D	LE40XZSN20EPO-D	LE40XZSF15EPO-E2	LE40XZSN20EPO-E2
	PNP NC	LE40XZSF15EPC-D	LE40XZSN20EPC-D	LE40XZSF15EPC-E2	LE40XZSN20EPC-E2
	PNP NO+NC	LE40XZSF15EPR-D	LE40XZSN20EPR-D	LE40XZSF15EPR-E2	LE40XZSN20EPR-E2

Technical Parameter				
Supply voltage	10...60 VDC	10...60 VDC	10...60 VDC	10...60 VDC
Switch point drift	< ±10% Sr	< ±10% Sr	< ±10% Sr	< ±10% Sr
Load current	<200mA	<200mA	<200mA	<200mA
Voltage drop	< 2.5V	< 2.5V	< 2.5V	< 2.5V
Consumption current	<10mA	<10mA	<10mA	<10mA
Hysteresis	1...20%	1...20%	1...20%	1...20%
Repeat accuracy	<3%	<3%	<3%	<3%
Frequency	500Hz	300Hz	500Hz	300Hz
Output indicator	Yellow LED	Yellow LED	Yellow LED	Yellow LED
Polarity protection	yes	yes	yes	yes
Dielectric strength	1000V/AC 50/60Hz 60s	1000V/AC 50/60Hz 60s	1000V/AC 50/60Hz 60s	1000V/AC 50/60Hz 60s
Short-circuit protection	yes	yes	yes	yes
Ambient temperature	-25...+70°C	-25...+70°C	-25...+70°C	-25...+70°C
Ambient moisture	35...95%	35...95%	35...95%	35...95%
Protection degree	IP67	IP67	IP67	IP67
Housing material	PBT	PBT	PBT	PBT
Connection	Terminal connect	Terminal connect	M12 Connector	M12 Connector
Certification	CE	CE	CE	CE



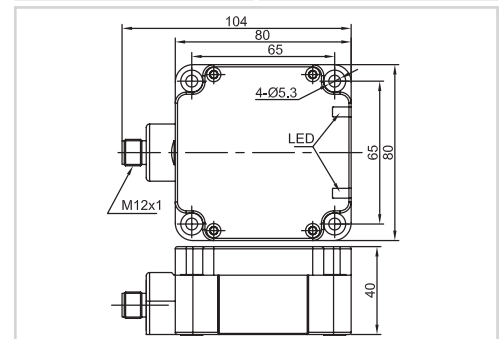
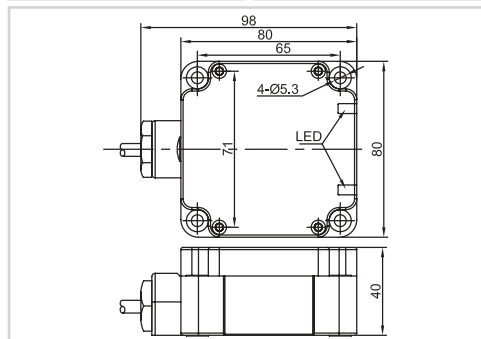
Item Code	LE80XZ		LE80XZ	
Mounting	● Flush	◐ Non-flush	● Flush	◐ Non-flush
Sensing distance	40mm	50mm	40mm	50mm



Output	NPN NO	LE80XZSF40ENO-D	LE80XZSN50ENO-D	LE80XZSF40ENO-E2	LE80XZSN50ENO-E2
	NPN NC	LE80XZSF40ENC-D	LE80XZSN50ENC-D	LE80XZSF40ENC-E2	LE80XZSN50ENC-E2
	NPN NO+NC	LE80XZSF40ENR-D	LE80XZSN50ENR-D	LE80XZSF40ENR-E2	LE80XZSN50ENR-E2
Output	PNP NO	LE80XZSF40EPO-D	LE80XZSN50EPO-D	LE80XZSF40EPO-E2	LE80XZSN50EPO-E2
	PNP NC	LE80XZSF40EPC-D	LE80XZSN50EPC-D	LE80XZSF40EPC-E2	LE80XZSN50EPC-E2
	PNP NO+NC	LE80XZSF40EPR-D	LE80XZSN50EPR-D	LE80XZSF40EPR-E2	LE80XZSN50EPR-E2

Technical Parameter

Supply voltage	10...60 VDC	10...60 VDC	10...60 VDC	10...60 VDC
Switch point drift	< ±10% Sr	< ±10% Sr	< ±10% Sr	< ±10% Sr
Load current	< 200mA	< 200mA	< 200mA	< 200mA
Voltage drop	< 2.5V	< 2.5V	< 2.5V	< 2.5V
Consumption current	< 10mA	< 10mA	< 10mA	< 10mA
Hysteresis	1...20%	1...20%	1...20%	1...20%
Repeat accuracy	< 3%	< 3%	< 3%	< 3%
Frequency	100Hz	50Hz	100Hz	50Hz
Output indicator	Yellow LED	Yellow LED	Yellow LED	Yellow LED
Polarity protection	yes	yes	yes	yes
Dielectric strength	1000V/AC 50/60Hz 60s	1000V/AC 50/60Hz 60s	1000V/AC 50/60Hz 60s	1000V/AC 50/60Hz 60s
Short-circuit protection	yes	yes	yes	yes
Ambient temperature	-25...+70°C	-25...+70°C	-25...+70°C	-25...+70°C
Ambient moisture	35...95%	35...95%	35...95%	35...95%
Protection degree	IP67	IP67	IP67	IP67
Housing material	PBT	PBT	PBT	PBT
Connection	Terminal connect	Terminal connect	M12 Connector	M12 Connector
Certification	CE	CE	CE	CE

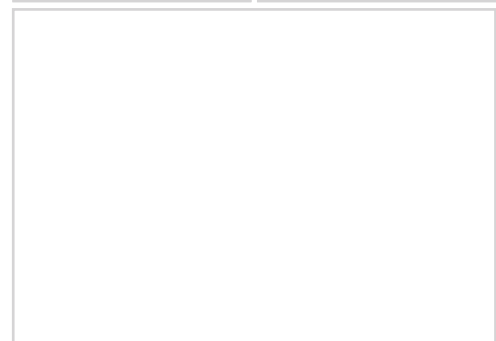
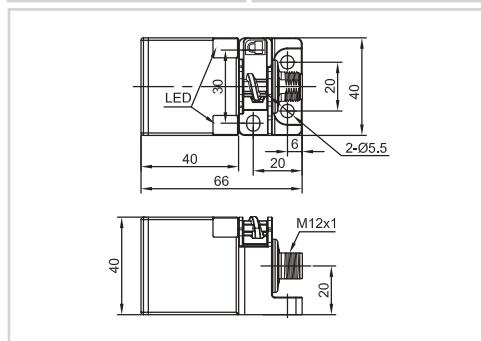


Item Code	LE40SZ			
Mounting	● Flush	◐ Non-flush		
Sensing distance	15mm	20mm		



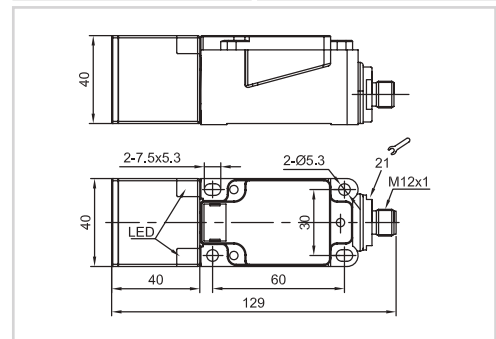
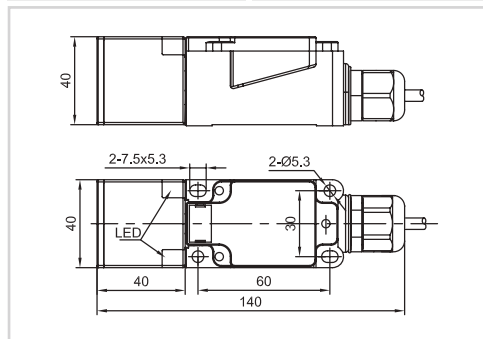
Output	DC 2 Wires NO	LE40SZSF15ELO-E2	LE40SZSN20ELO-E2		
	DC 2 Wires NC	LE40SZSF15ELC-E2	LE40SZSN20ELC-E2		

Technical Parameter					
Supply voltage		10..60 VDC	10..60 VDC		
Switch point drift		< ±10% Sr	< ±10% Sr		
Load current		<100mA	<100mA		
Voltage drop		< 6V	< 6V		
Leakage current		<1mA	<1mA		
Hysteresis		1...20%	1...20%		
Repeat accuracy		<3%	<3%		
Frequency		500Hz	300Hz		
Output indicator		Yellow LED	Yellow LED		
Polarity protection		yes	yes		
Dielectric strength		1000V/AC 50/60Hz 60s	1000V/AC 50/60Hz 60s		
Short-circuit protection		yes	yes		
Ambient temperature		-25...+70°C	-25...+70°C		
Ambient moisture		35...95%	35...95%		
Protection degree		IP67	IP67		
Housing material		PBT	PBT		
Connection		M12 Connector	M12 Connector		
Certification		CE	CE		



Item Code		LE40XZ		LE40XZ	
Mounting		● Flush	◐ Non-flush	● Flush	◐ Non-flush
Sensing distance		15mm	20mm	15mm	20mm
					
Output	DC 2 Wires NO	LE40XZSF15ELO-D	LE40XZSN20ELO-D	LE40XZSF15ELO-E2	LE40XZSN20ELO-E2
	DC 2 Wires NC	LE40XZSF15ELC-D	LE40XZSN20ELC-D	LE40XZSF15ELC-E2	LE40XZSN20ELC-E2

Technical Parameter				
Supply voltage	10...60 VDC	10...60 VDC	10...60 VDC	10...60 VDC
Switch point drift	< ±10% Sr	< ±10% Sr	< ±10% Sr	< ±10% Sr
Load current	<100mA	<100mA	<100mA	<100mA
Voltage drop	<6V	<6V	<6V	<6V
Leakage current	<1mA	<1mA	<1mA	<1mA
Hysteresis	1...20%	1...20%	1...20%	1...20%
Repeat accuracy	<3%	<3%	<3%	<3%
Frequency	500Hz	300Hz	500Hz	300Hz
Output indicator	Yellow LED	Yellow LED	Yellow LED	Yellow LED
Polarity protection	yes	yes	yes	yes
Dielectric strength	1000V/AC 50/60Hz 60s	1000V/AC 50/60Hz 60s	1000V/AC 50/60Hz 60s	1000V/AC 50/60Hz 60s
Short-circuit protection	yes	yes	yes	yes
Ambient temperature	-25...+70°C	-25...+70°C	-25...+70°C	-25...+70°C
Ambient moisture	35...95%	35...95%	35...95%	35...95%
Protection degree	IP67	IP67	IP67	IP67
Housing material	PBT	PBT	PBT	PBT
Connection	Terminal connect	Terminal connect	M12 Connector	M12 Connector
Certification	CE	CE	CE	CE



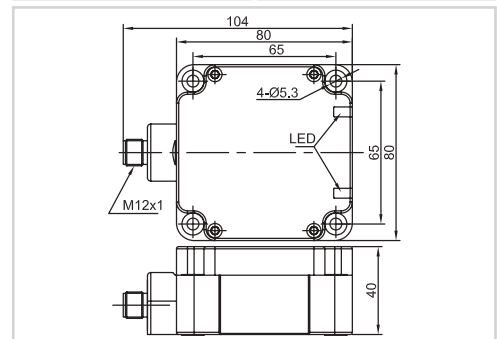
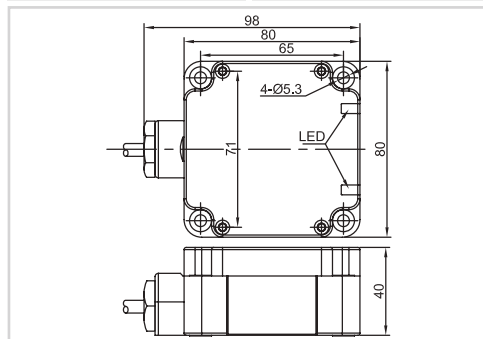
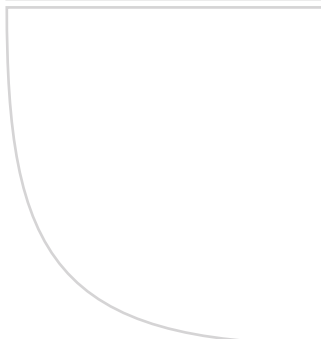
Item Code	LE80XZ		LE80XZ	
Mounting	● Flush	◐ Non-flush	● Flush	◐ Non-flush
Sensing distance	40mm	50mm	40mm	50mm



Output	DC 2 Wires NO	LE80XZSF40ELO-D	LE80XZSN50ELO-D	LE80XZSF40ELO-E2	LE80XZSN50ELO-E2
	DC 2 Wires NC	LE80XZSF40ELC-D	LE80XZSN50ELC-D	LE80XZSF40ELC-E2	LE80XZSN50ELC-E2

Technical Parameter

Supply voltage	10...60 VDC	10...60 VDC	10...60 VDC	10...60 VDC
Switch point drift	< ±10% Sr	< ±10% Sr	< ±10% Sr	< ±10% Sr
Load current	<100mA	<100mA	<100mA	<100mA
Voltage drop	<6V	<6V	<6V	<6V
Leakage current	<1mA	<1mA	<1mA	<1mA
Hysteresis	1...20%	1...20%	1...20%	1...20%
Repeat accuracy	<3%	<3%	<3%	<3%
Frequency	80Hz	40Hz	80Hz	40Hz
Output indicator	Yellow LED	Yellow LED	Yellow LED	Yellow LED
Polarity protection	yes	yes	yes	yes
Dielectric strength	1000V/AC 50/60Hz 60s	1000V/AC 50/60Hz 60s	1000V/AC 50/60Hz 60s	1000V/AC 50/60Hz 60s
Short-circuit protection	yes	yes	yes	yes
Ambient temperature	-25...+70°C	-25...+70°C	-25...+70°C	-25...+70°C
Ambient moisture	35...95%	35...95%	35...95%	35...95%
Protection degree	IP67	IP67	IP67	IP67
Housing material	PBT	PBT	PBT	PBT
Connection	Terminal connect	Terminal connect	M12 Connector	M12 Connector
Certification	CE	CE	CE	CE





360° SERVICE
comprehensive scheme for the sensor

VALUE

TECHNOLOGY
QUALITY

Focus on global market, high-tech products

Try to build Lanbao to be a leading sensor and industrial automation group.

Lanbao seeks survival with quality,
development with technology and deems its duty to create value for customers.



www.lanbaosensor.com

Shanghai Lanbao Sensing Technology Co., Ltd.

ADD : No.228 Jinbi Road, Jinhui Industrial Park,
Fengxian Area, Shanghai, China 201404

TEL : 86-21-57486188

FAX : 86-21-57486199

E-MAIL : market@shlanbao.cn



Lanbao reserve the right to make changes.