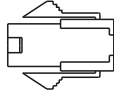


Optional Accessories

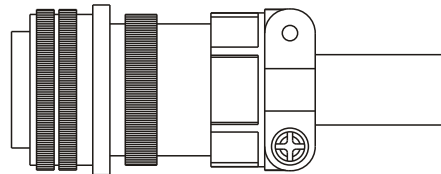
Power Connectors

ASDBCAPW0000



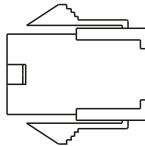
Title	Part No.	Manufacturer
Housing	C4201H00-2*2PA	JOWLE
Terminal	C4201TOP-2	JOWLE

ASD-CAPW1000



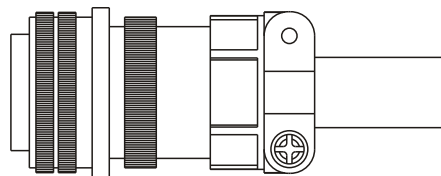
MS 3106A-20-18S

ASDBCAPW0100



Title	Part No.	Manufacturer
Housing	C4201H00-2*3PA	JOWLE
Terminal	C4201TOP-2	JOWLE

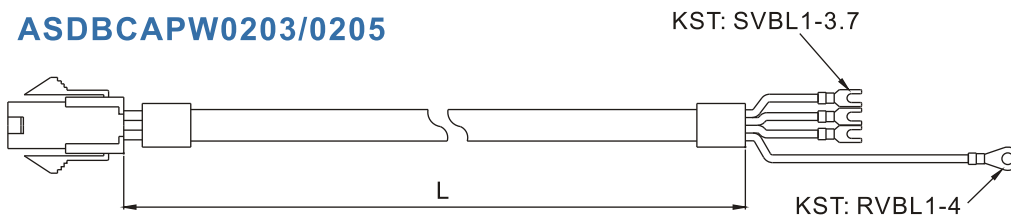
ASD-CAPW2000



MS 3106A-24-11S

Power Cables

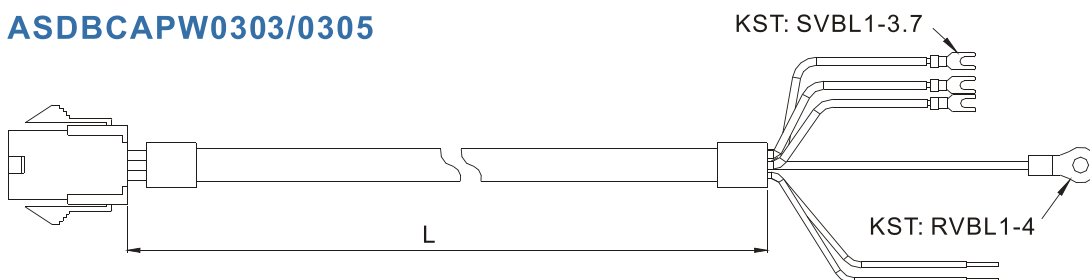
ASDBCAPW0203/0205



Title	Part No.	Manufacturer
Housing	C4201H00-2*2PA	JOWLE
Terminal	C4201TOP-2	JOWLE

Title	Part No.	L	
		mm	inch
1	ASDBCAPW0203	3000 ± 50	118 ± 2
2	ASDBCAPW0205	5000 ± 50	197 ± 2

ASDBCAPW0303/0305

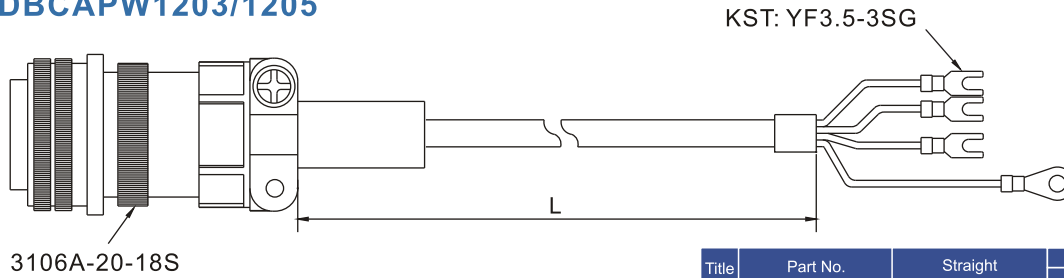


Title	Part No.	Manufacturer
Housing	C4201H00-2*3PA	JOWLE
Terminal	C4201TOP-2	JOWLE

Title	Part No.	L	
		mm	inch
1	ASDBCAPW0303	3000 ± 50	118 ± 2
2	ASDBCAPW0305	5000 ± 50	197 ± 2

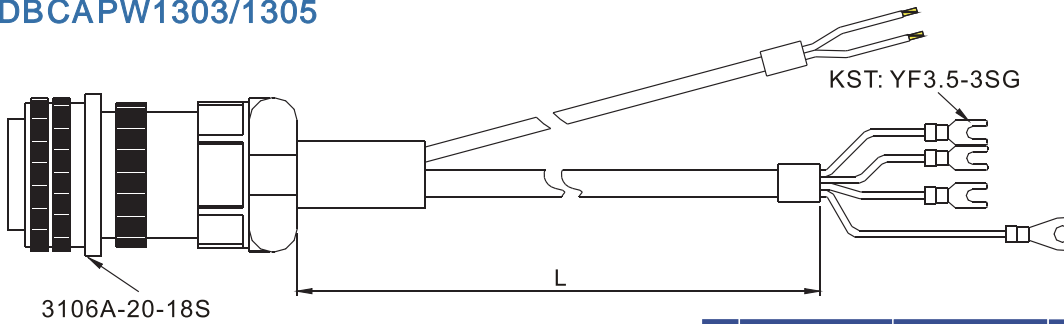
Power Cables

ASDBCAPW1203/1205



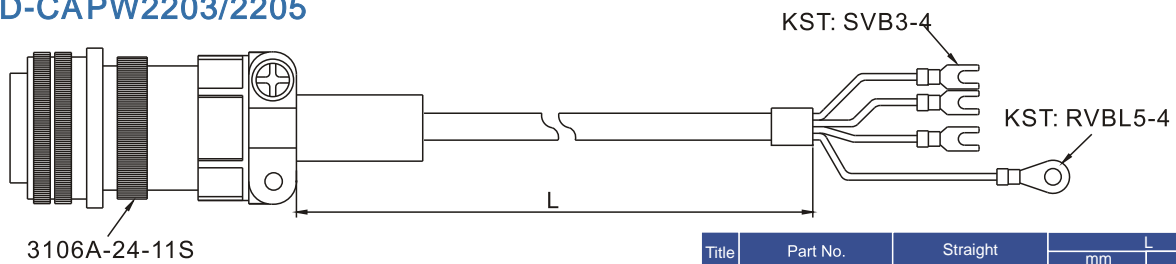
Title	Part No.	Straight	L	
			mm	inch
1	ASDBCAPW1203	3106A-20-18S	3000 ± 50	118 ± 2
2	ASDBCAPW1205	3106A-20-18S	5000 ± 50	197 ± 2

ASDBCAPW1303/1305



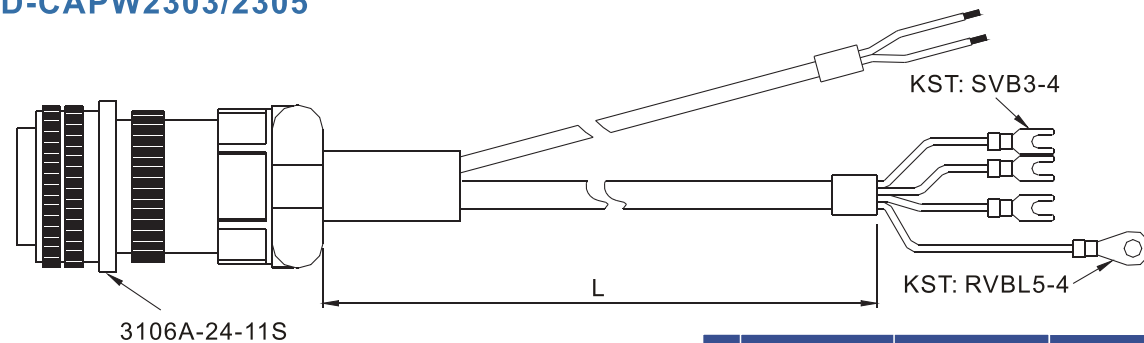
Title	Part No.	Straight	L	
			mm	inch
1	ASDBCAPW1303	3106A-20-18S	3000 ± 50	118 ± 2
2	ASDBCAPW1305	3106A-20-18S	5000 ± 50	197 ± 2

ASD-CAPW2203/2205



Title	Part No.	Straight	L	
			mm	inch
1	ASD-CAPW2203	3106A-24-11S	3000 ± 50	118 ± 2
2	ASD-CAPW2205	3106A-24-11S	5000 ± 50	197 ± 2

ASD-CAPW2303/2305

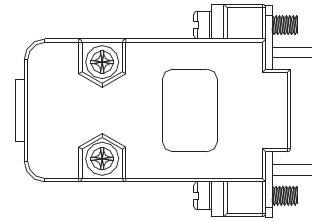
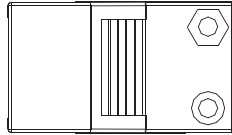
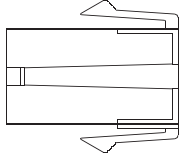


Title	Part No.	Straight	L	
			mm	inch
1	ASD-CAPW2303	3106A-24-11S	3000 ± 50	118 ± 2
2	ASD-CAPW2305	3106A-24-11S	5000 ± 50	197 ± 2

Optional Accessories

Encoder Connectors

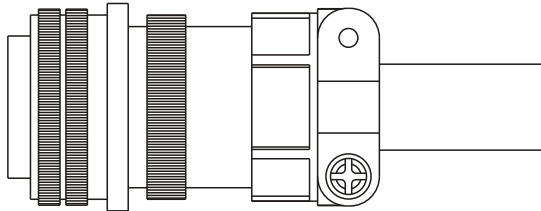
ASDBCAEN0000



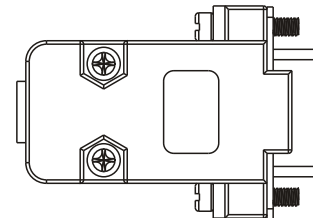
D-SUB Connector 9P

Title	Part No.	Manufacturer
Housing	AMP(1-172161-9)	AMP
Terminal	AMP(170359-3)	AMP
CLAMP	DELTA(34703237XX)	DELTA

ASDBCAEN1000



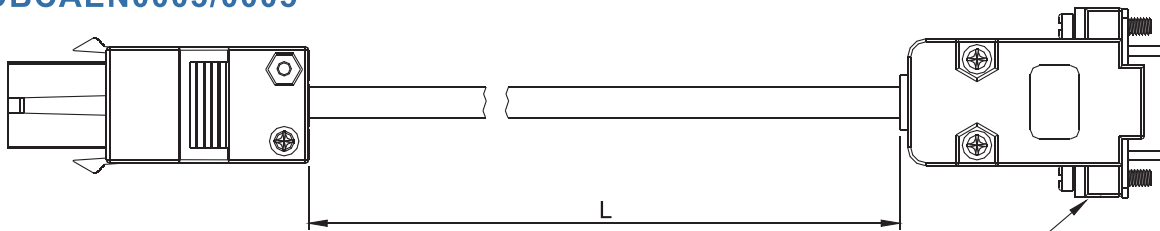
3106A-20-29S



D-SUB Connector 9P

Encoder Cables

ASDBCAEN0003/0005

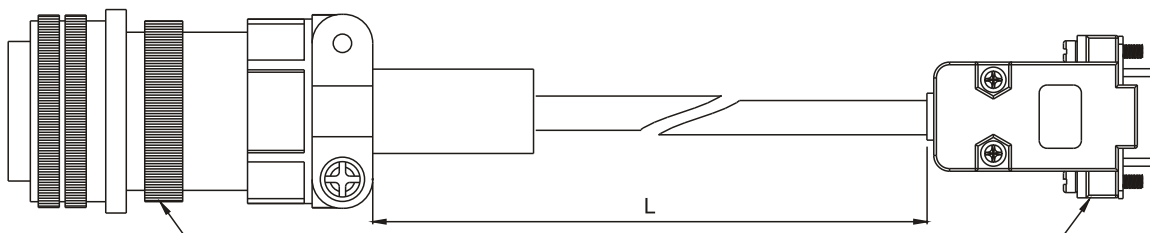


D-SUB Connector 9P

Title	Part No.	L	
		mm	inch
1	ASDBCAEN0003	3000 50	118 2
2	ASDBCAEN0005	5000 50	197 2

Title	Part No.	Manufacturer
Housing	AMP(1-172161-9)	AMP
Terminal	AMP(170359-3)	AMP
CLAMP	DELTA(34703237XX)	DELTA

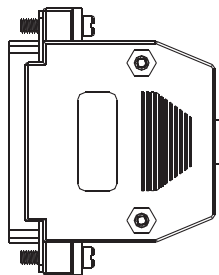
ASDBCAEN1003/1005



3106A-20-29S

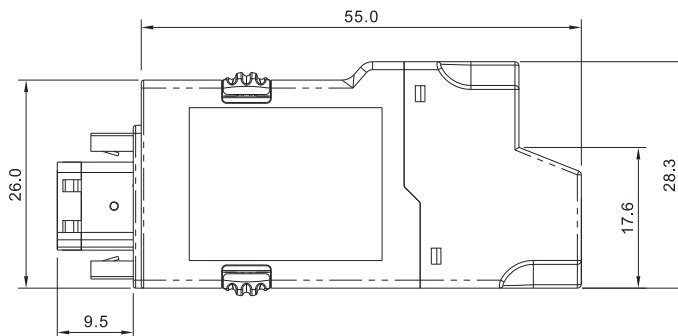
D-SUB Connector 9P

I/O Signal Connector
ASDBCNDS0044



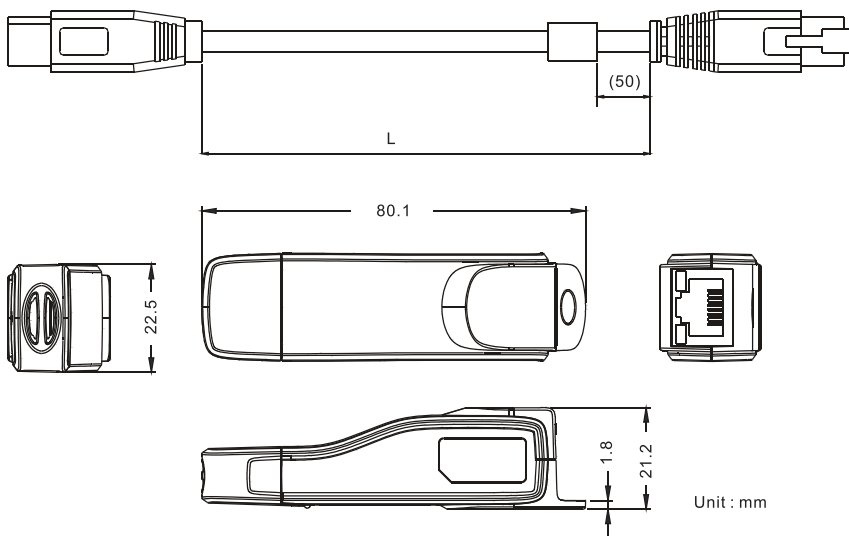
D-SUB 44 PIN PLUG

RS-485 Connector
ASD-CNIE0B06



NOTE 1. Other accessories for ASDA-B2 series will be increased gradually.
2. Accessories images shown here may differ from actual product. Please refer to the actual product appearance.

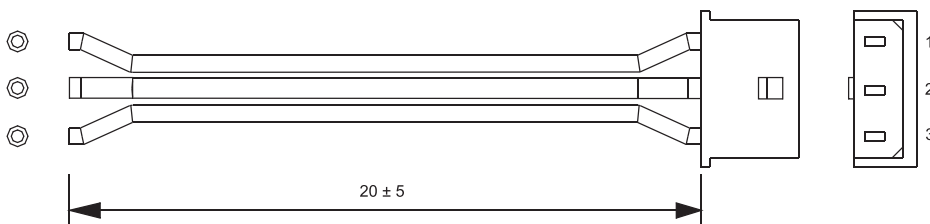
Communication Cable between Drive and Computer (for PC)
ASD-CNUS0A08



Unit : mm

Title		Part No. : ASD-CNUS0A08	
Cable	L	3000 ± 100 mm	
		118 ± 4 inch	
Connector	RJ connector	RJ-45	
	USB connector	A-type (USB V2.0)	

Voltage Output Cable (Analog Signal)
38644718XX



Title	Part No.	Manufacturer
Housing	A2004H00-3P	JWT
Terminal	A2004TOP-2	JWT